

Multi-Swing HA & FA

A Fully Automatic & Low Energy Swing Door Operator in One

Incorporating all the standard features of Multi-Swing, such as LED digital control, simple latch and back check setting, including our unique clutch gear, as well as HA and FA options, we also offer centre hung or pivot mounted possibilities for doors up to 200kg.

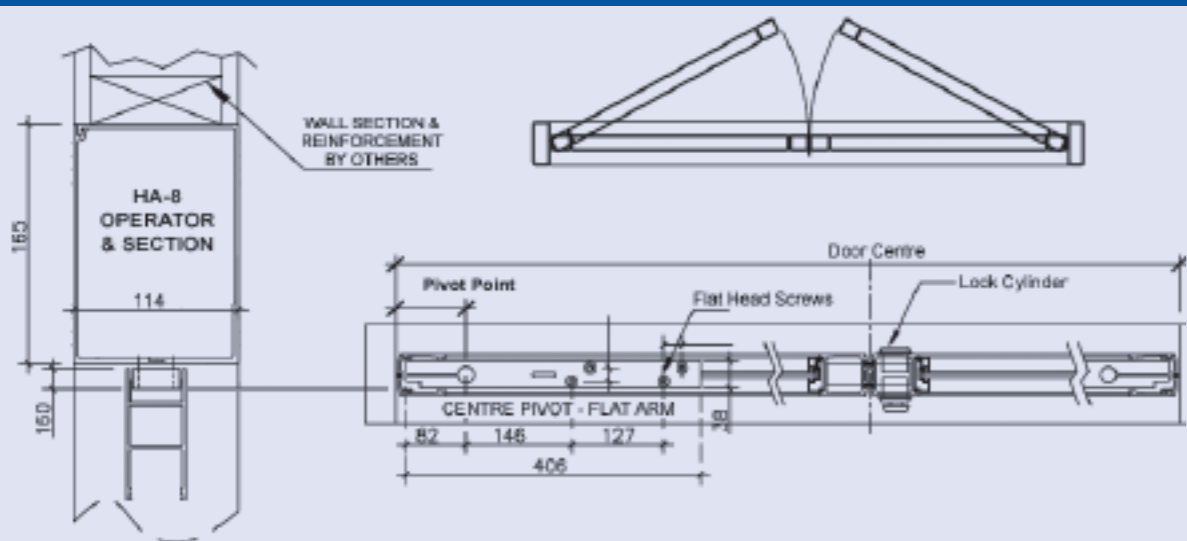


Installation

Centre hung or Pivot mounted doors open on a central axis. The door is fixed at the top and bottom, opening around a central pivot point. The operator is mounted and concealed directly above the door.

With the operator concealed within the box section, the door is mounted onto a flat arm specially designed to be concealed within the top of the door section. With no arm or operator visible from either side of the entrance, an elegant and slim lined finish can be achieved.

Centre Hung (Built-in) Installation

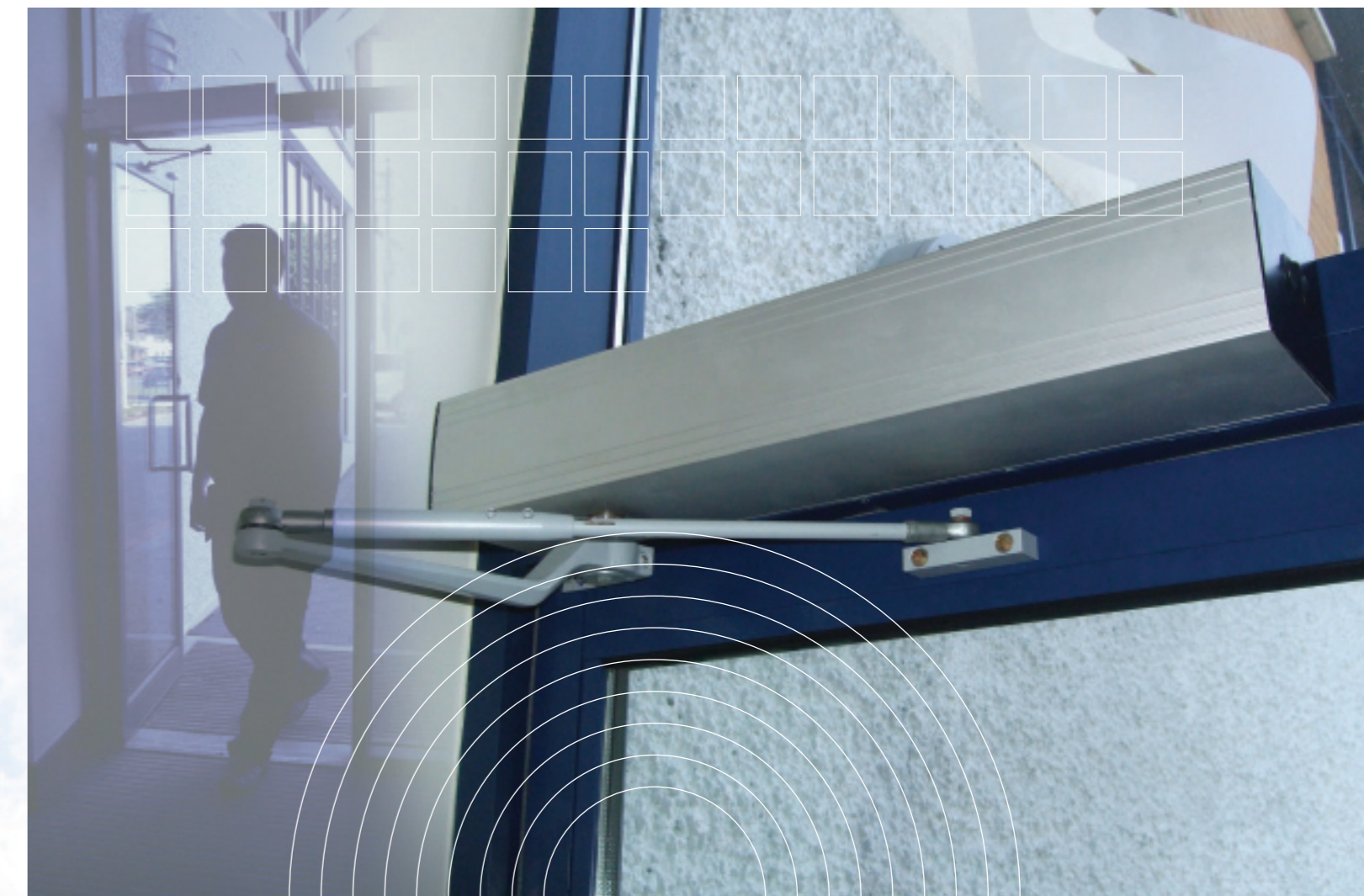
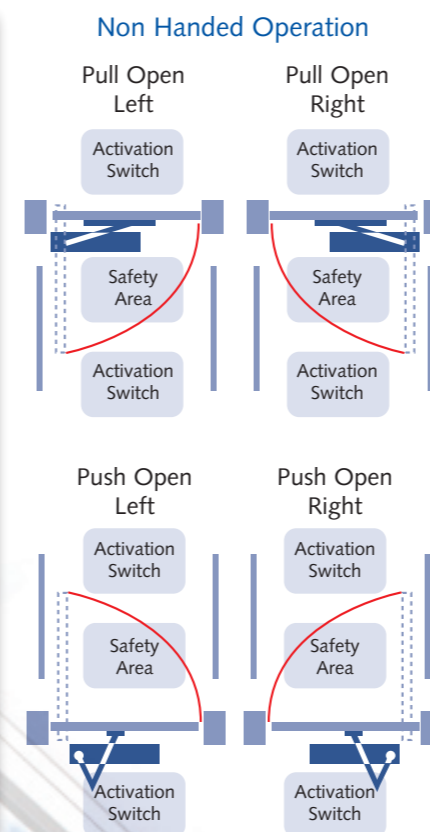


Model	Multi Swing - Centre Hung		Multi Swing - Heavy - Centre Hung
	HA-8	FA-8	FA-8
Type	HA-8	FA-8	FA-8
Door Weight (max)	90kg	100kg	200kg
Application	Built in		
Operator	Regular plated gear housing, motor & spring		Cast gear housing, heavy type motor & heavy spring
Control	Parameter setting by microprocessor		
Latch & Back Check	Setting by micro switch		
Closing	By adjustable spring		
Arm	Flat type		
Hand	Specify left / right handing		
Base Rail	L=1145mm standard single (double rail available)		
Options	Extended drive shaft available on request		

Specifications subject to change without prior notice

Model	Multi Swing FA	Multi Swing HA
Application	Fully automatic	Restricted - low energy
Door Weight (max)	150kg	90kg
Operator Dimensions	610mm (L) x 105mm (H) x 130mm (D)	
Operator Net Weight	16kg Approx	
Power Supply	220V ~ 240V AC, 50/60Hz	
Consumption	AC24V / 4AMP	AC16V / 3AMP
Motor	1/8 hp, 24VDC, 3A	
Rated Operation	Continuous opening and closing cycles	
Closing Force	Adjustable pressure by spring tension	
Operation During Power Failure	Low manual resistance when opened by hand Door closing by spring	
Door Opening Speed	16 steps adjustable (refer to applicable open speed settings)	
Motor	Low revolution brush DC motor	
Reduction Gear	Enclosed reduction gear system	
Control System	Microprocessor digital control	
Braking (Open Back Check & Close Latch)	Adjustment by microswitch and cam mechanism	
Opening Time	Full Closed to Back Check	8 steps adjustable
	Back Check to Full Open	5 steps adjustable
Closing Time	Full Open to Latch	Adjustable
	Latch to Full Closed	5 steps adjustable
Hold Open	Pulsed energy to motor. No overheating. Continuous hold open	
Safety Sensor Monitoring	Safety circuits are monitored for failure of normal operation. If a fault occurs, door will not accept activation signals. Red LED on control will flash. Reset by main power off/on.	
Electro-Magnetic Lock System	Optional interface	Output available with HA control
Operating Environment	Ambient temperature -20 deg ~ +50 deg. (no condensation or icing)	
	Ambient humidity 30% to 85%RH (no hazardous materials must be present in the atmosphere)	

Specifications subject to change without prior notice



Distributed by



UK/European Office
The Grainger Suite | Regent Centre | Gosforth
Newcastle upon Tyne | NE3 3PF | UK

tel: +44 (0)191 233 6323
fax: +44 (0)191 284 0222
email: info@kenwa.co.uk

Head Office - Japan
12th Floor | Tower West | Umeda Skybuilding 1-30
Oyodonaka 1-Chome | Kita-ku Osaka 531-0076
Japan

tel: (0081) 6 6 454 9721
fax: (0081) 6 6 454 9726
email: info@kenwa.co.jp

Unique Design & Innovation for Automatic Swing Doors

- Easy Non-Handed Conversion
- Quiet & Friendly
- Ultra-low Resistance by Hand
- For Low Energy & High Frequency Use
- Adjustable In-Built Door Stop
- Long Term Continuous Operation



Multi-Swing HA & FA

Multi functional simplicity in one...

Multi-Swing door operators allow barrier free access, providing customer convenience when fully automatic, high frequency use is required, whilst at the same time meeting the needs of people with disabilities and the elderly.



Features

- Quiet and friendly
- Suitable for low energy and high frequency use
- Ultra-low resistance by hand
- Incorporates unique clutch gear system
- Easy non-handed conversion
- Simple installation and adjustment
- Digital LED display and function setting
- 24V output for accessories
- Long term continuous operation

Unique Operating Features

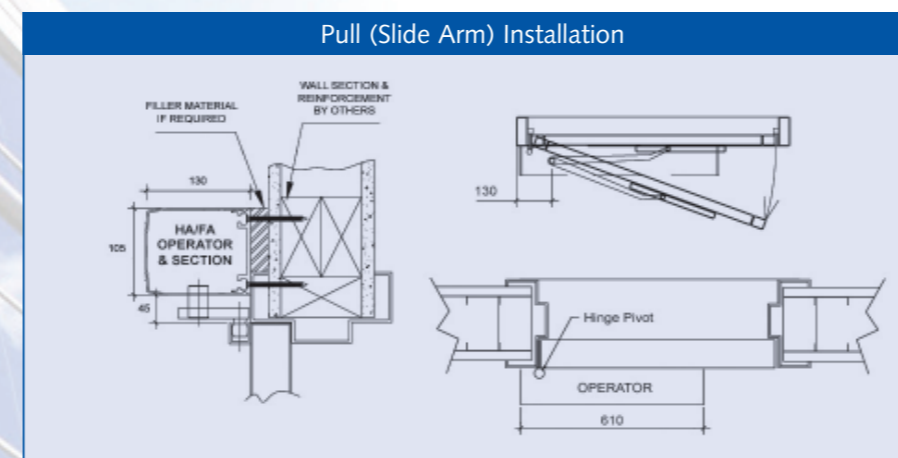
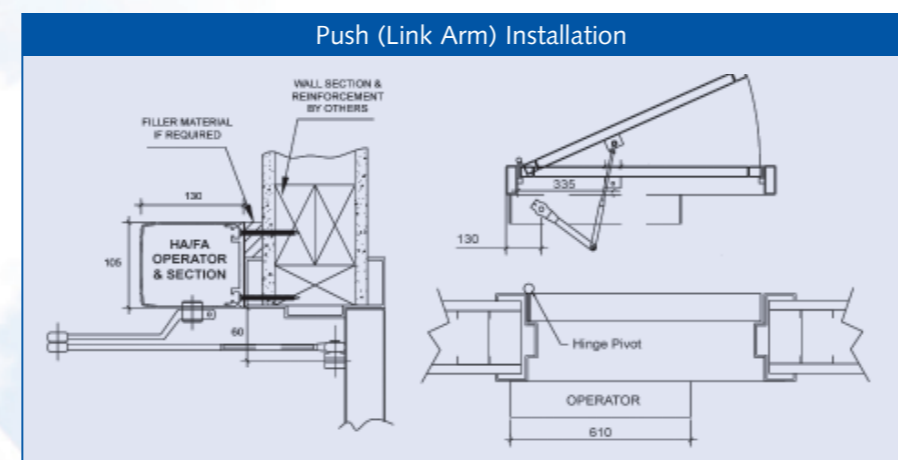
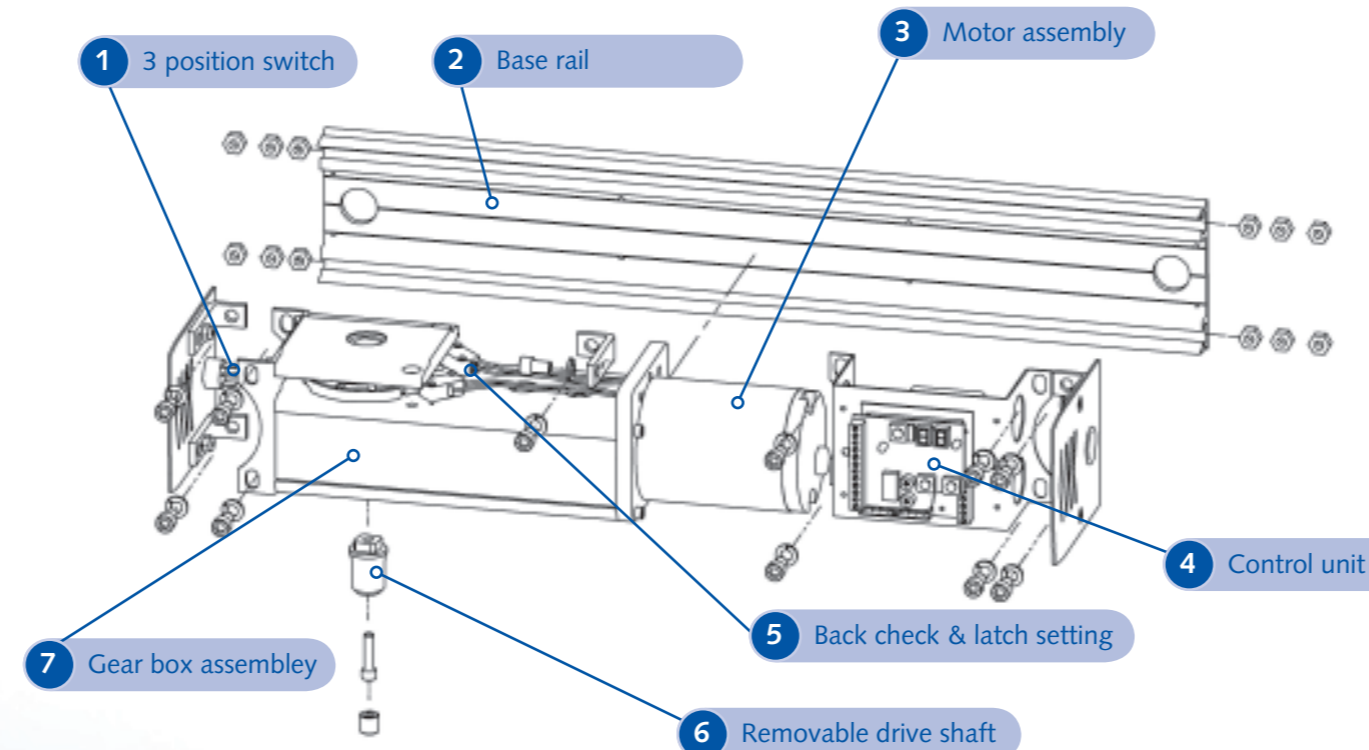
Multi-Swing has been engineered to open doors for people with disabilities, the elderly and children. Our unique one-way clutch mechanism allows the door to be opened manually with incredible ease, whilst at the same time prolonging service life, offering years of reliable, trouble free, swing door operation.

Being non-handed, Multi-Swing can accommodate left, right, push and pull swing applications in one compact and powerful unit.

Equipped with an adjustable heavy-duty spring, Multi-Swing can accommodate heavier doors up to 150kg in windy conditions. In addition, Multi-Swing incorporates an in-built adjustable doorstop, which eliminates the need for external stops and provides protection against wind damage.



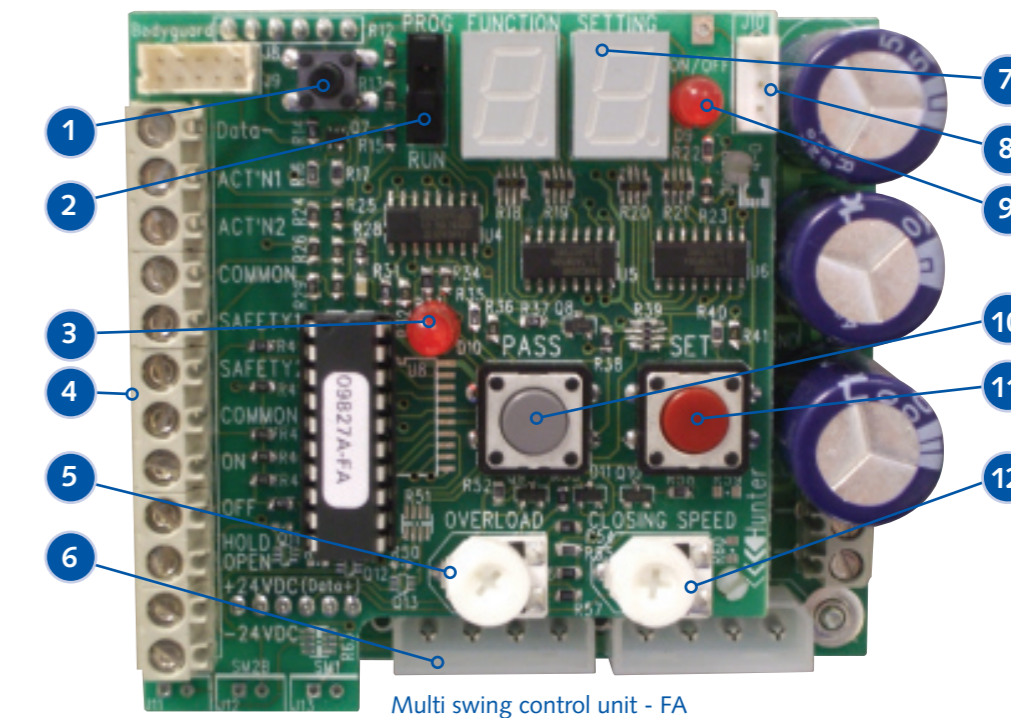
Multi-Swing is the perfect choice for new and existing buildings, offering a powerful, yet gentle friendly door opening solution.



Both Multi-Swing FA & HA incorporate the same design features such as our unique clutch gear and inbuilt door stop, as well as LED digital set up and simple latch and back check setting.

Multi-Swing FA - Fully Automatic
Used for high frequency entrances such as shopping malls, hotels and airports. When open speed and endurance of operation is essential, accepting all customary safety inputs and offering 24V output for activations and other accessories.

Multi-Swing HA - Low Energy
Used when a friendly door is required, with its unique one-way clutch mechanism, any door is light to the touch, either pushed by hand or when the door encounters an obstruction. Open speed is restricted avoiding risk of serious accident should someone try to increase the door speed accidentally. With an E-Lock relay supplied as standard, doors can be made secure and fit any requirement such as hospitals, schools, care homes and apartment buildings.



- | | |
|--------------------------------------|-------------------------------------|
| 1. Test button | 7. LED digital display |
| 2. Programme/run switch | 8. Back check & latch input |
| 3. Overload indicator LED | 9. LED application setting ON/OFF |
| 4. Signal input/output terminal | 10. Pass button – programme setting |
| 5. Overload (obstruction) adjustment | 11. Set button – programme setting |
| 6. Motor connection plug | 12. Closing speed adjustment |

Dual Control for Double Doors

For double door automation a dual control is available, driving two motors simultaneously whilst individual door control and synchronisation is possible. Incorporating the same features as the single control, both doors can be adjusted independently, such as open and close speed, latch and back check speed, as well as delayed opening - whereby door 2 will be delayed after door 1 is opening.

Latching & Back-Check Setting

Setting the final 10 degrees of the open and close movement can be simply achieved by hand. Thanks to our unique, user friendly adjustment mechanism, installation and set-up can be achieved within seconds. As this feature is electro mechanical - open and close settings will never be effected by obstruction or misuse of the door in anyway, for example should it be pushed, pulled or held during opening.

In-built Adjustable Door Stop

The in-built doorstop is adjustable within the gear mechanism. This robust and unique feature protects the door leaf from wind damage when opening outward or the need for a fixed stop to be fitted to the floor.

To adjust the open door position as required, the doorstop can be removed from an access point in the gearbox housing. Once the open position has been established, the doorstop can be simply replaced by locating the nearest threaded hole with in the gearbox housing.

In combination with the closing spring, by removing the in-built door stop and rotating the drive shaft / spring further in the open direction. It is possible to increase the closing power for larger doors.

Contact us for further information.

Operational Features

- 3 Position switch (auto/off/hold open)
- Open time up to 30 seconds
- Timed delay after activation
- Open cycle counter
- E-Lock relay output (HA type)
- In-built adjustable door stop
- Dual control available for double doors
- Push & Go option available

Input/Output Options

- Act'n1 – Activation Input
- Act'n2 – Delayed Activation Input
- Safety 1 – Closing Side Safety Input
- Safety 2 – Opening Side Safety Input
- 3 Position Switch
 - On – Automatic
 - Off – No Activation
 - Hold Open
- 24V Output