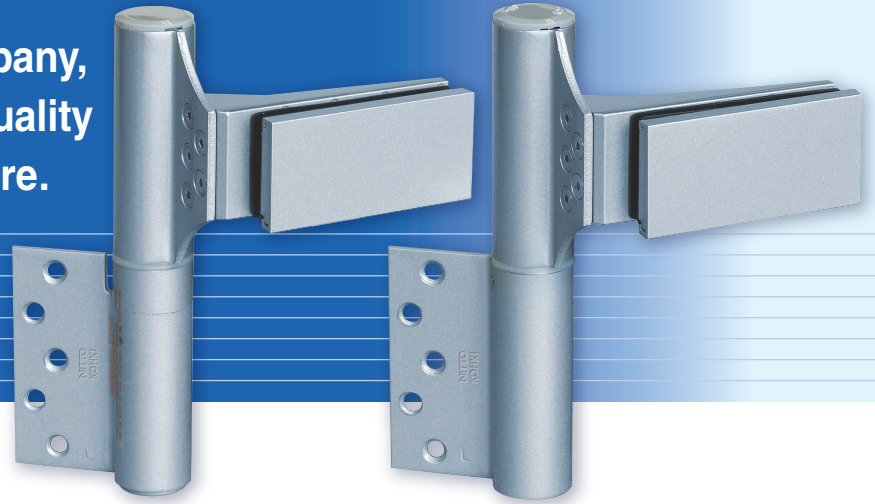
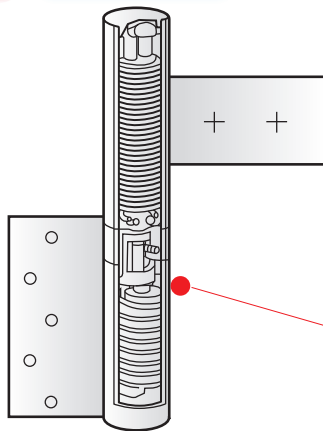


# The Discreet Door Closer For Glass Doors

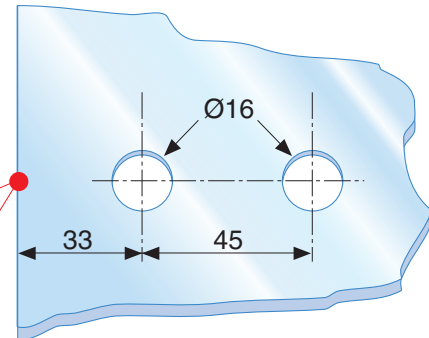
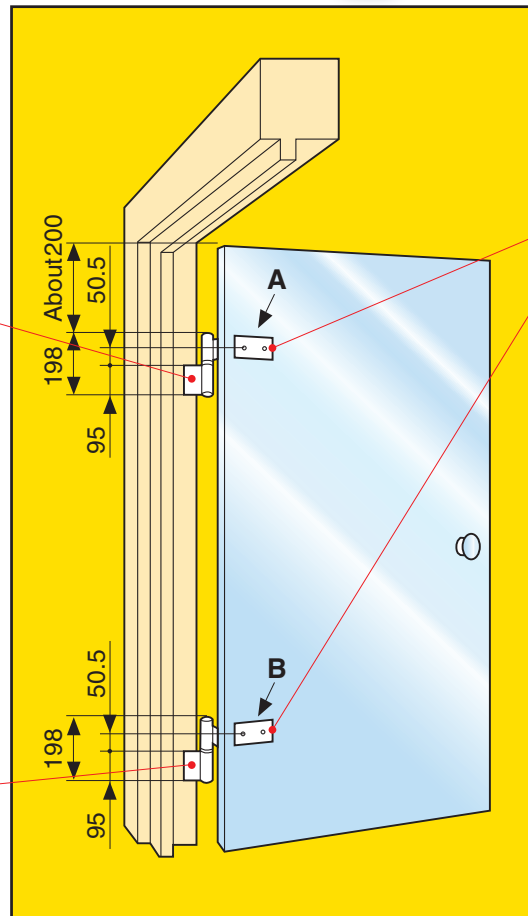
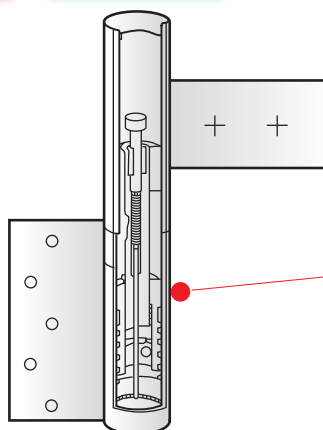
We, as a truly innovative company, pride ourselves on the high quality of the products we manufacture.



## A Spring Hinge



## B Damper Hinge



The Standard NK 153 comprises of two\* hinges. The hinge A is a Spring Hinge that closes the door. The hinge B is an Adjustable Hydraulic Damper Hinge that controls the closing speed of the door.



- Simple and easy to fit
- Available with or without Hold-Open
- Suitable for doors up to 60kg \* NK 153
- Suitable for doors up to 80kg \* NK 153 TRI-SET
- Fully adjustable closing speed
- Suitable for glass doors 8 to 12mm thick
- Successfully tested to 100,000 cycles

