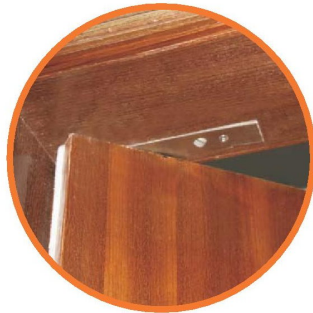


PIVOT DOOR CLOSER

LOCKBIZ

NHN[®] PDC100W SERIES



The NHN PDC-100W pivot closers are suitable for timber, aluminium and steel doors.

Incorporating the latest cam type technology, the NHN PDC-100W pivot closers offer easy opening with increased efficiency on the closing torque.

The closing speed is easily adjusted via two independent adjustment valves.

Available with or without hold open at 90°.

Narrow style with high performance.

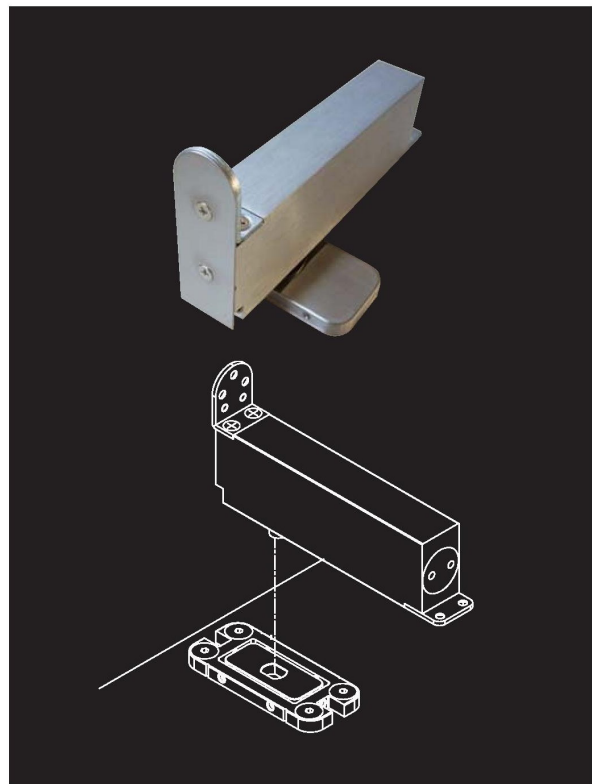
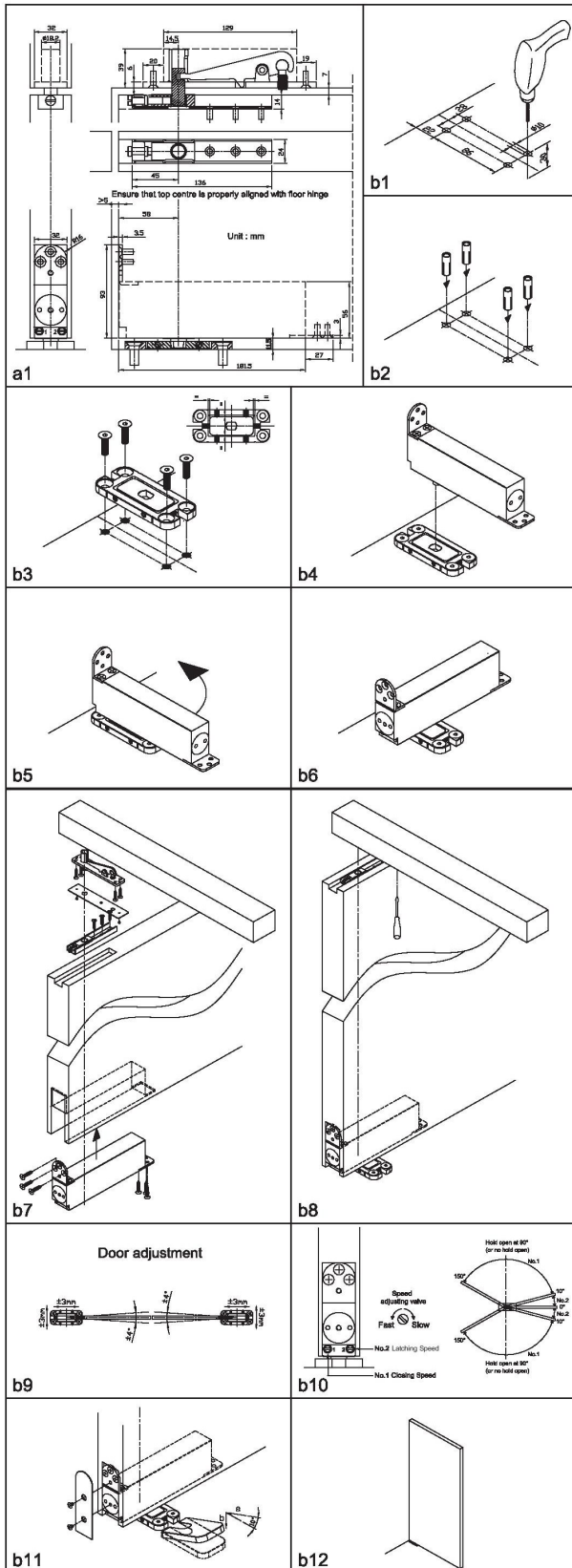
Easy installation; costs and time saving as no preparation on the floor needed.

5 year Guarantee against faulty workmanship.

FEATURES

- Suitable for double action doors, maximum 1250 mm wide and a maximum weight of 100 kg.
- Quick and easy installation.
- Low opening resistance and high closing efficiency
- Simple final adjustments, 3mm backward / forward, 3mm left / right, $\pm 4^\circ$ alignment.
- Ambient temperature $-20^\circ \text{C} - + 40^\circ \text{C}$.
- Cover plates in satin stainless steel as standard. Polished stainless steel available.
- Complete with top pivot set.

INSTALLATION



Hold open model PDC103WS,105WS;
Hold open position angle 90°,
maximum opening angle 150°.

Illustration shows the installation of model PDC103W(S)

SELECTION CHART / FUNCTION & ADJUSTMENT

SELECTION CHART

MODEL NO.	Function	Max. door width	Max. door weight	Max. opening angle
PDC103W	Non-hold open	950mm	100kg	150°
PDC103WS	hold open 90°			
PDC105W	Non-hold open	1250mm	100kg	
PDC105WS	hold open 90°			

It is recommended to use a door stop at 150° by the non-hold open models and at 90° by the hold open models.

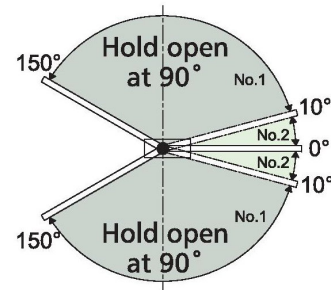
Model PDC-103W (S) can only be installed on interior doors, not suitable for exterior doors or doors exposed to strong winds. Even for PDC-105W (S) models please note that due to the cam type technology heavy winds might cause opening of the door to a certain angle.

1

Double action

Non hold open model PDC103W,105W:
Maximum opening angle 150°

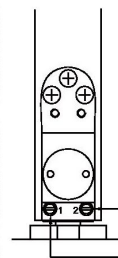
Hold open model PDC103WS,105WS:
Hold open position angle 90°,
maximum opening angle 150°.



2

Two speed adjustment

Closing speed (150°~ 10°)
Latching speed (10°~ 0°)



Speed adjustment

Fast Slow



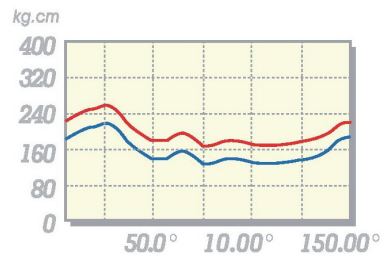
No.2 Latching speed

No.1 Closing speed

• Two speed adjustment -
Closing speed [150°~10°]
Latching speed [10°~0°]

3

Providing over 70% efficiency, the NHN PDC100W combines light opening with smooth closing.



Shown curves refer to PDC103W

ACCESSORIES

TP2 TOP PIVOT



DOOR PART OF TOP PIVOT SET



PDC100W FPCP FIXING PLATE with stainless steel cover



PDC100W CP Stainless steel COVER PLATE



Available from:

LOCKBIZ

PO Box 214
Mortdale NSW 2223
www.lockbiz.com.au
Ph: 0438 25 00 00