

# NHN<sup>®</sup> PDC100 series



## FEATURES

The NHN PDC100 pivot closer is the first in the Flagship Range from NHN's next generation of hidden door closers.

Incorporating the latest cam type technology, the NHN PDC100 pivot closer offers easy opening with increased efficiency on the closing torque.

The closing speed is easily adjusted via two independent adjustment valves.

Available with or without hold open at 90°.

Narrow style with high performance.

Easy installation; cost and time saving as no preparation on the floor needed.

5 year Guarantee against faulty workmanship.

- Suitable for a glass door up to 100 kg (220 lbs).
 

Glass thickness	
PDC100(S)	: 8-13mm (5/16 - 1/2 in.)
PDC105(S)	: 10-15mm (3/8 - 9/16 in.)
Door width	
PDC100(S)	: 750-1000mm (29 1/2 - 39 3/8 in.)
PDC105(S)	: 750-1250mm (29 1/2 - 49 3/16 in.)
- Supplied non handed the NHN PDC100 provides optimum efficiency with quick and easy installation.
- Simple final adjustments; 3mm (1/8 in.) backward/forward, 3mm (1/8 in.) left/right, ± 4° alignment.
- Ambient temperature from -20°C to +50°C (-4°F to +122°F).
- Finishes available as standard are satin and polished stainless steel. (Other finishes available on request.)

## SELECTION CHART / FUNCTION &amp; ADJUSTMENT

## SELECTION CHART

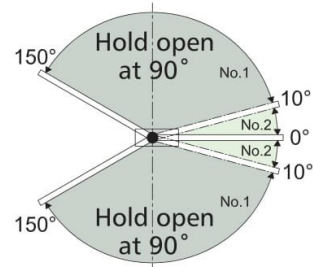
MODEL NO.	Function	Door width	Door weight	Max. opening angle
PDC100	Non-hold open	1000mm (39 3/8 in.)	100kg (220lbs)	150°
PDC100-S	Hold open 90°			90°
PDC105	Non-hold open	1250mm (49 3/16 in.)		150°
PDC105-S	Hold open 90°			90°

1

**Double action**

Non hold open model PDC100/105:  
Maximum opening angle 150°

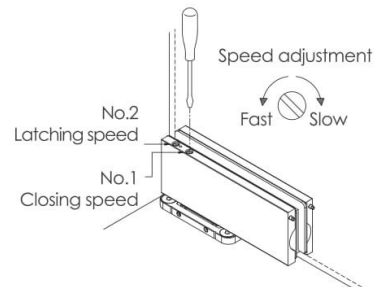
Hold open model PDC100-S/105-S:  
Hold open position and maximum  
opening angle 90°



2

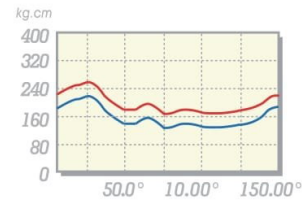
**Two speed adjustment**

Closing speed (150°~ 10°)  
Latching speed (10°~ 0°)



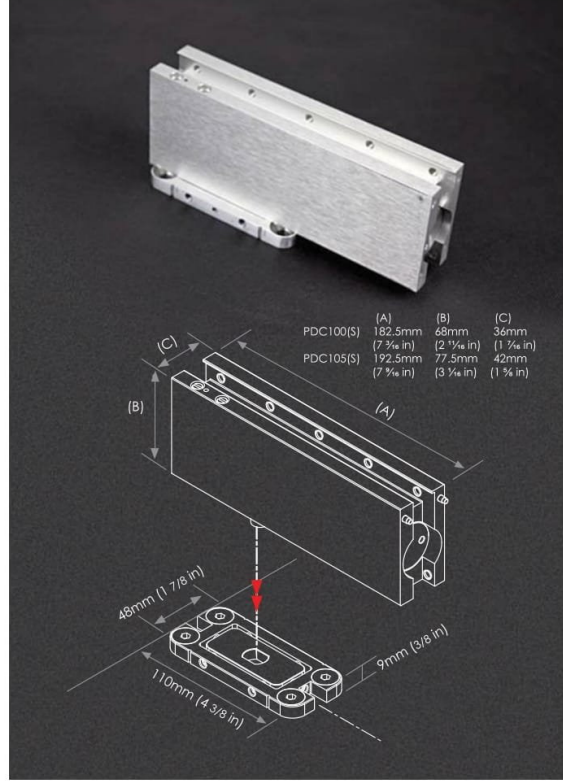
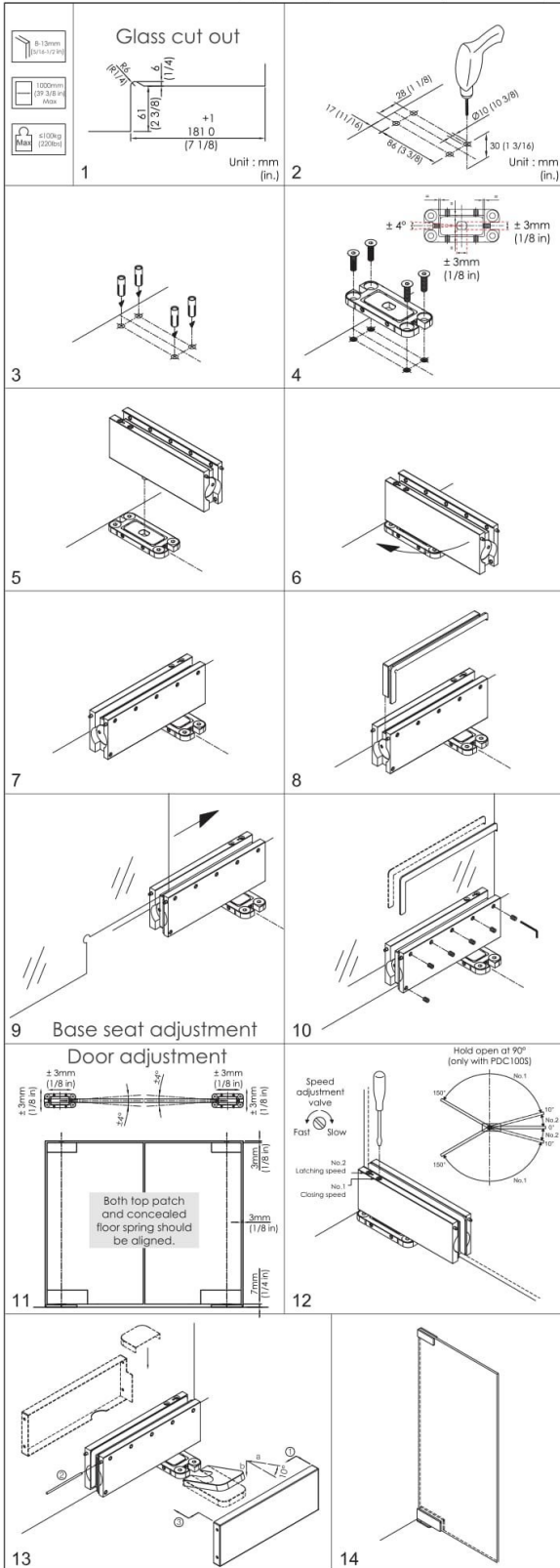
3

Providing over 70% efficiency, the NHN  
PDC100 combines light opening with  
smooth closing.



INSTALLATION

Below shows the installation dimensions for PDC100/100S. (For 105/105S, please refer to the manual provided with the unit.)

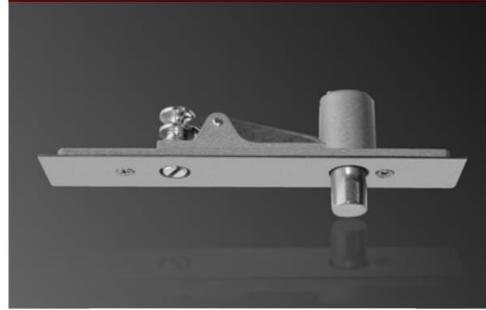


ACCESSORIES

TP1 TOP PIVOT



TP2 TOP PIVOT



KPF-1 CORNER PATCH



KPF-2 TOP PATCH



KPF-4 WALL MOUNTED TRANSOM PATCH



Available from:

**LOCKBIZ**

PO Box 214  
Mortdale NSW 2223  
[www.lockbiz.com.au](http://www.lockbiz.com.au)  
Ph: 0438 25 00 00