

Contents < Security system, Electric lock, Controller, etc. >

1. RF-key system KRS series P.48

P.48

2. Remote control key system KRC series P.48



KRS-200 · 600 · 420 · 410 · 320

RF key

RF key tag

RF card



KRC-200 · 400 · 410

Remo. con. key
(key type) (key tag)

Information

Pin cylinder,
Keying system,
Function No.,
To order, etc.

Locks

Push-pull handle lock

Handle designs
PKX, PX, PZK, PZ,
PLK, PL, PVKU,
PY, PYS

Lever handle lock

Handle designs
AHL, AHLP,
LGK, LG, LX,
LH, HL, LY, LW

Mortise lock

Knob designs
AH, AHP,
AS, HS

Integral lock

UC, G

Cylindrical lock

UH, US

Dead lock

LDK, LD, HD,
1502/1503, AHD,
AD, GK, GG,
HN, ANT

Rim dead lock

MH, MD, MDU

Cremon bolt

CMM

Glass door lock

2510, HDT,
CG, AG, BGU

Sliding door lock

SX, PSS, SAK,
SN, TSD,
AD(B/S600)

Cup handle lock

AHC, ASC,
HSTC, UCC, GC

Emergency lock

AHLH, AHH,
HSTH, HDH,
AHDH

Electric lock & Security system

RF key

Remo. con. key
Ten key pad
KRS, KRC,
BTKLX, TKS

Hotel card lock

JCLM, JCL

Electric lock

PXE, PZE,
EZX, EXS, EXM,
EU, ES, EL,
EM, EV, SXE,
CMT, CMR, ME

Electric conductor, Control box, Key switch, etc.

RCL, RCB,
RSP, KS, ACT

Dimensions

3. Ten key-pad lock system P.49

P.49

4. Key switch system P.50

P.50



BTKLX, BZSTK
(dry cell type)



TKS-100



TKS-100A



KS-3R

5. Hotel IC card lock system JCLM P.51, 54

6. Hotel magnet card lock system JCL P.52, 55

Card lock's another apparatus P.53

NEW



JCLM, JCLM (NW)
(P.51, 54)

NEW



JCL, JCL (NW)
(P.52, 55)

NEW



CLS-JCLM-101
(P.53)



CLS-JCL-101
(P.53)



CSW-503
(Card switch)



CSW-502

(Reverse master card system
for common entrance.)

7. Electric lock P.56~64

P.56~64



PXKE
(P.56)



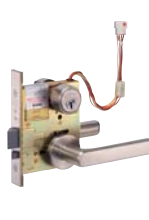
PXE
(P.56)



PZKE, PZE
(P.56)



PVKE
(P.56)



EZX, EXS
(P.57)



EUT, EUR
(P.58)



EL series
(P.59~61)



ES series
(P.59~61)



EM
(P.62)



EMSX (water proof)
(P.62)



EV
(P.63)



SXE
(P.63)



SXES (water proof)
(P.63)



CMT, CMR
(P.64)



ME
(P.64)

8. Electric conductor, Controller, Key switch, Strike and lock built in switch P.65~67

P.65~67



RCL-21
(P.65)



RCB, JRC, KRC
(P.66)



RSP
(P.66)



KS
(P.67)



ACT
(P.67)



HLV
(P.67)



HSV
(P.67)



LGKS
(P.67)



LDKS
(P.67)



Information

1. GOAL Lock Features

Information

Pin cylinder, Keying system, Function No., To order, etc.

Locks

Push-pull handle lock
Handle designs
PJK, PX, PZK, PZ, PLK, PL, PVKU, PY, PYS

Lever handle lock
Handle designs
AHL, AHL, LGK, LG, LX, LH, HL, LY, LW

Mortise lock
Knob designs
AH, AHP, AS, HS

Integral lock
UC, G

Cylindrical lock
UH, US

Dead lock
LDK, LD, HD, 1502/1503, AHD, AD, GK, GG, HN, ANT

Rim dead lock
MH, MD, MDU

Cremon bolt
CMM

Glass door lock
2510, HDT, CG, AG, BGU

Sliding door lock
SX, PSS, SAK, SN, TSD, AD(B/S600)

Cup handle lock
AHC, ASC, HSTC, UCC, GC

Emergency lock
AHLH, AHH, HSTH, HDH, AHDH

Electric lock & Security system

RF key Remo. con. key Ten key pad
KRS, KRC, BTKLX, TKS

Hotel card lock
JCLM, JCL

Electric lock
PXE, PZE, EZS, EXS, EXM, EU, ES, EL, EM, EV, SXE, CMT, CMR, ME

Electric conductor, Control box, Key switch, etc.
RCL, RCB, RSP, KS, ACT

Dimensions

① Superior for security. Granted UL and CP approval.

It goes without saying that security is the most important basic function of a lock. On June 2002 our V18 cylinder and V-LG mortise lock were tested and approved by UL (Underwriters Laboratory). GOAL was the first lock manufacturer in Japan to have its products UL(UL 437) approved.



And still more GOAL PJK and PZK mortise push-pull handle lock, LGK mortise lever handle lock, and LDK mortise dead lock all passed the Japan National Police Agency's strict CP (Crime Prevention) Approval tests on April 2004 and have been awarded CP Approval, thus proving their superior security capabilities.



② GOAL lock are furnished with high precision, high performance and high security pin tumbler cylinder. (refer to P.5)

GOAL lock's pin tumbler cylinders are 6 pin, 7pin, V18 and GV cylinder.(refer to P.5)

● **Superior for security.**
GOAL pin tumbler cylinders pass the Japan National Police Agency's demanding CP (Crime Prevention) Approval tests, such as picking and burglary attack tests, thus proving their superior burglar protection.

● **Smooth operation and excellent durability.**
Because the pins which contact the key have been specially lubricated with molybdenum disulfide (MoS₂) and graphite, insertion and removal of the key is exceptionally smooth. Also, our cylinders are all durable enough to be used over 100,000 cycles.

● **Large numbers of key variations and can be furnished with all kinds of keying systems.**

Large-scale key plans are also possible. There are an extremely large number of key variations, and GOAL lock's cylinder are compatible with all kinds of key systems: master key (MK), grand master key (GMK), or construction key (CNK) systems. (refer to P.6, 7)

Still more these keying systems, V18 and GV cylinder can be furnished with key-change system. (V18, GV-KCH system, GV-UKS2 system) (refer to P.8, 9)

In addition, the ability to have a large number of key variations even when an MK or other key system is used is one of the special features of the GOAL pin cylinder, thus making large-scale key plans possible.

③ Excellent strength and durability.

All GOAL locks are the strongest and most durable in their respective class. GOAL lock are subjected to rigorous testing, such as strength tests for the deadbolt and latchbolt, operation tests for the latchbolt and involving repeated door opening and closing, deadbolt operation tests using both the key and thumbturn, thus ensuring that every lock we make has superior strength and superior durability.

④ Well-designed for easy operation and a stylish appearance.

Not only GOAL lock provide superior security and excellent durability, but they have been carefully designed for easy operation and a stylish appearance. With push-pull handle, lever handle and knobs that operate smoothly with no looseness, both lock operation and door opening/closing is smooth and easy.

⑤ Designed for basic safety.

Although the basic function of GOAL lock is to prevent illegal entry, at the same time, another important factor is that people must be able to get out quickly and easily in case of an emergency. GOAL lock are designed for safety, so they can always be opened from the inside, even if the cylinder has been tampered with from the outside. We also have earthquake-safe locks available.

⑥ Wide variety of models and designs.

We have prepared a wide variety of models so that you can select the one to suit the type of door or building or any one of suit the type of door or building or any one of various uses. There are also many variations available in the design or material of the push-pull handle, lever handle and knob, etc.

⑦ Easy and secure installation.

The cylinder and thumbturn, or handle and knob, have been well-designed for easy and secure installation. Changing the hand of the latch can also be done quickly and easily.

2. GOAL Lock's Pin tumbler cylinder

- 1) 6 pin tumbler cylinder (symbol [P]) (standard spec.)
- 2) 7 pin tumbler cylinder (symbol [Z]) (option spec.)

● 6 pin cylinder

● 7 pin cylinder

(Figure shows 6 pin cylinder)

<6 pin cylinder>

- Provide excellent security, high durability and smooth operation.
- Many kind of key systems are available. (refer P.6~7)
- Key difference is available 1 million.

<7 pin cylinder>

- Provide super excellent security, high durability and smooth operation.
- Many kind of key systems are available. (refer P.6~7)
- Key difference is available 18 million.

3) V18 reversible dimple key pin tumbler cylinder (symbol [V]) (option spec.)

UL US LISTED **CP**

- UL 437 approved on June 2002.
- CP approved on 2004.
- Provide excellent security, high durability and more smooth operation.
- Many kind of key systems are available. (refer P.6~7)
- In addition to those key systems, key change (V18 KCH) system is available. (refer to P.8)
- Key difference is available 12 billion by 18 columns pin cylinder.
- Dimple key is reversible. So key can be inserted from either side.

4) GV reversible dimple key pin tumbler cylinder. (symbol [GV]) (option spec.)

CP

- CP approved on 2007.
- Provide super excellent security, high durability and more smooth operation.
- Provide tremendous number of key difference. by 24 columns pin cylinder.
- Key difference is available 1,000 trillion 2,800 billion by 24 columns pin cylinder.
- Dimple key is reversible. So key can be inserted from either side, face or reverse.
- Protect from picking, drilling, impression and any other burglary attacks.

Information

Pin cylinder, Keying system, Function No., To order, etc.

Locks

Push-pull handle lock
Handle designs
PJK, PX, PZK, PZ, PLK, PL, PVKU, PY, PYS

Lever handle lock
Handle designs
AHL, AHL, LGK, LG, LX, LH, HL, LY, LW

Mortise lock
Knob designs
AH, AHP, AS, HS

Integral lock
UC, G

Cylindrical lock
UH, US

Dead lock
LDK, LD, HD, 1502/1503, AHD, AD, GK, GG, HN, ANT

Rim dead lock
MH, MD, MDU

Cremon bolt
CMM

Glass door lock
2510, HDT, CG, AG, BGU

Sliding door lock
SX, PSS, SAK, SN, TSD, AD(B/S600)

Cup handle lock
AHC, ASC, HSTC, UCC, GC

Emergency lock
AHLH, AHH, HSTH, HDH, AHDH

Electric lock & Security system

RF key Remo. con. key Ten key pad
KRS, KRC, BTKLX, TKS

Hotel card lock
JCLM, JCL

Electric lock
PXE, PZE, EZS, EXS, EXM, EU, ES, EL, EM, EV, SXE, CMT, CMR, ME

Electric conductor, Control box, Key switch, etc.
RCL, RCB, RSP, KS, ACT

Dimensions



Keying system <symbol>

[6 pin (standard spec.), 7 pin, V18, GV cylinder]

Information

Pin cylinder, Keying system, Function No., To order, etc.

Locks

Push-pull handle lock
Handle designs
PXK, PX, PZK, PZ, PLK, PL, PVKU, PY, PYS

Lever handle lock
Handle designs
AHL, AHL, LGK, LG, LX, LH, HL, LY, LW

Mortise lock
Knob designs
AH, AHP, AS, HS

Integral lock
UC, G

Cylindrical lock
UH, US

Dead lock
LDK, LD, HD, 1502/1503, AHD, AD, GK, GG, HN, ANT

Rim dead lock
MH, MD, MDU
Cremon bolt
CMM

Glass door lock
2510, HDT, CG, AG, BGU

Sliding door lock
SK, PSS, SAK, SN, TSD, AD(B/S600)

Cup handle lock
AHC, ASC, HSTC, UCC, GC

Emergency lock
AHLH, AHH, HSTH, HDH, AHDH

Electric lock & Security system

RF key
Remo. con. key
Ten key pad
KRS, KRC, BTKLX, TRS

Hotel card lock
JCLM, JCL

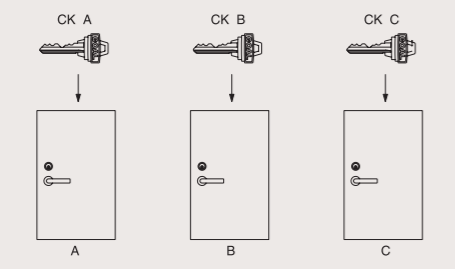
Electric lock
PXE, PZE, EZS, EXS, EXM, EU, ES, EL, EM, EV, SXE, CMT, CMR, ME

Electric conductor, Control box, Key switch, etc.
RCL, RCB, RSP, KS, ACT

Dimensions

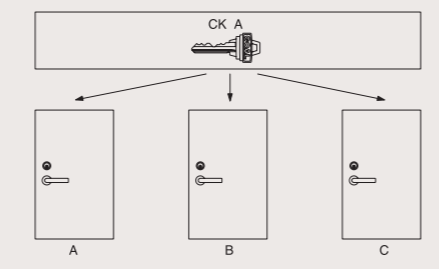
1. Change key (Key different) <CK>

Individual lock key. (Each lock is set to a different key combination.)



2. Keyed alike system <KA>

Two or more locks set to the same key combination.



3. Master key system <MK>

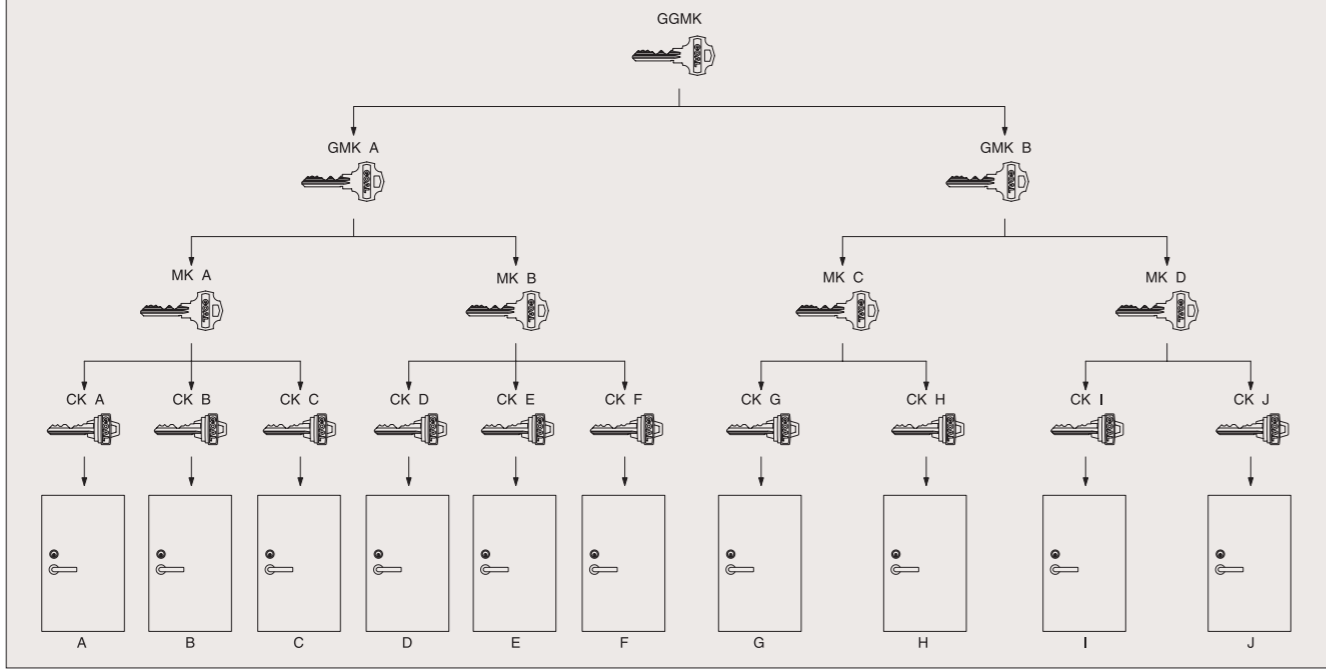
Operates any given quantity of cylinders with different key changes.

4. Grand master key system <GMK>

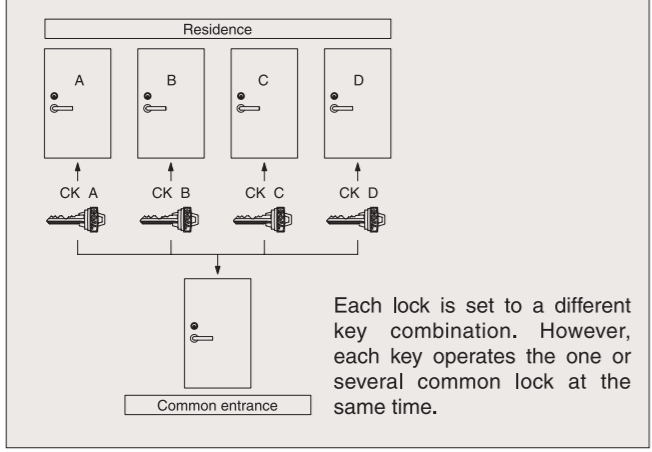
Operates all individual locks already operated by two or more master keys.

5. Great Grand master key system <GGMK>

Operates all locks under the various master keys and grand master keys already established.

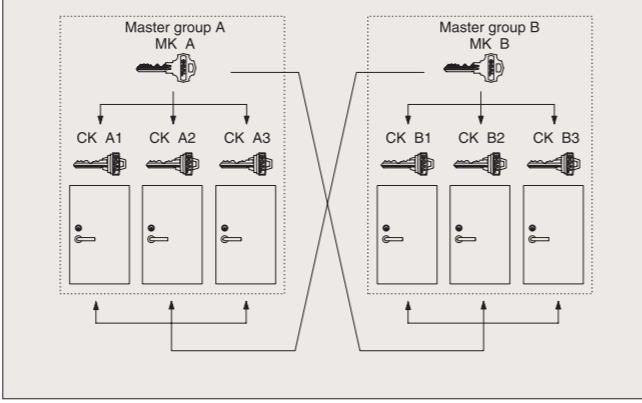


6. Reverse master key system <RMK>



7. Cross master key system <CMK>

Complicated master key system as follows.



8. Construction key system <CNK>

All locks are operated by construction key during construction period. When construction is finished all locks are operated by each individual key (CK A~CK D). Construction key can't operate the lock after operating CK A~CK D.

① Master key (MK) system is not furnished		② Master key (MK) system is furnished	
<p>Under construction</p>	<p>Must not use CK.</p>	<p>Under construction</p>	<p>Must not use CK.</p>
Construction key system is released automatically by using CK.			
<p>After construction</p>	<p>Const. key can't use after using CK.</p>	<p>After construction</p>	<p>Const. key can't use after using CK.</p>
③ Double construction key system <DCNK> (Const. key A and Const. key B are furnished.)		④ Construction key system for bath-unit room. (49 emer. - cyl.)	
<p>Under construction</p>	<p>Must not use const. key B and CK.</p>	<p>Under construction (Door lock is unlocked by CK.)</p>	
Const. key A system is released by using const. key B.		Cylinder's function is released by specified operation.	
<p>At management period.</p>	<p>Must not use CK.</p>	<p>After construction (Lock has emer-cylinder function. So unlocked by coin or etc.)</p>	
Const. key B system is released by using CK.		*Cylindrical lock ULW-49 and lever handle lock LF-49, LTV-49 have this construction key system.	
<p>After resident is moved-in.</p>	<p>Const. key A, B can't use.</p>		

Information

Pin cylinder, Keying system, Function No., To order, etc.

Locks

Push-pull handle lock
Handle designs
PXK, PX, PZK, PZ, PLK, PL, PVKU, PY, PYS

Lever handle lock
Handle designs
AHL, AHL, LGK, LG, LX, LH, HL, LY, LW

Mortise lock
Knob designs
AH, AHP, AS, HS

Integral lock
UC, G

Cylindrical lock
UH, US

Dead lock
LDK, LD, HD, 1502/1503, AHD, AD, GK, GG, HN, ANT

Rim dead lock
MH, MD, MDU
Cremon bolt
CMM

Glass door lock
2510, HDT, CG, AG, BGU

Sliding door lock
SK, PSS, SAK, SN, TSD, AD(B/S600)

Cup handle lock
AHC, ASC, HSTC, UCC, GC

Emergency lock
AHLH, AHH, HSTH, HDH, AHDH

Electric lock & Security system

RF key
Remo. con. key
Ten key pad
KRS, KRC, BTKLX, TRS

Hotel card lock
JCLM, JCL

Electric lock
PXE, PZE, EZS, EXS, EXM, EU, ES, EL, EM, EV, SXE, CMT, CMR, ME

Electric conductor, Control box, Key switch, etc.
RCL, RCB, RSP, KS, ACT

Dimensions

V, GV KCH Key change system (V, GV-KCH) (option spec.)

(※Our original keying system of V18 cylinder or GV cylinder.) (PAT.)

Information

Pin cylinder, Keying system, Function No. To order, etc.

Locks

Push-pull handle lock
Handle designs
PXK, PX, PZK, PZ, PLK, PL, PVKU, PY, PYS

Lever handle lock
Handle designs
AHL, AHL, LGK, LG, LX, LH, HL, LY, LW

Mortise lock
Knob designs
AH, AHP, AS, HS

Integral lock
UC, G

Cylindrical lock
UH, US

Dead lock
LDK, LD, HD, 1502/1503, AHD, AD, GK, GG, HN, ANT

Rim dead lock
MH, MD, MDU

Cremon bolt
CMM

Glass door lock
2510, HDT, CG, AG, BGU

Sliding door lock
SK, PSS, SAK, SN, TSD, AD(B/S600)

Cup handle lock
AHC, ASC, HSTC, UCC, GC

Emergency lock
AHLH, AHH, HSTH, HDH, AHDH

Electric lock & Security system

RF key Remo. con. key Ten key pad
KRS, KRC, BTKLX, TRS

Hotel card lock
JCLM, JCL

Electric lock
PXE, PZE, EZS, EXS, EXM, EU, ES, EL, EM, EV, SXE, CMT, CMR, ME

Electric conductor, Control box, Key switch, etc.
RCL, RCB, RSP, KS, ACT

Dimensions

9. Key change system of V18 cylinder or GV cylinder <V18-KCH or GV-KCH>

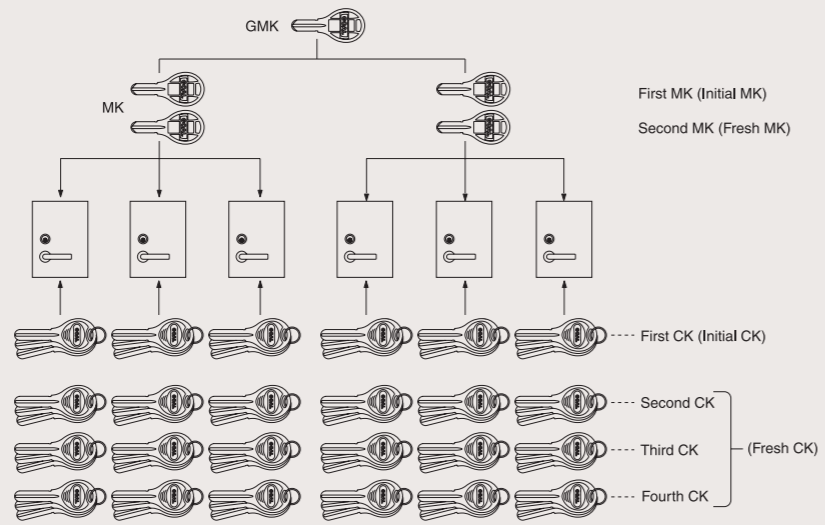
When original key is lost, using new key (fresh key) will change pin combination of the cylinder, so lost key cannot operate the cylinder.
In this system key shall be changed instead of changing the cylinder.

A V18 -KCH-M (or GV-KCH-M) system (Master key system is available.)

<V18, (GV) -KCH-M system ex.>

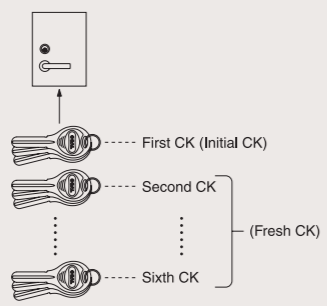
(This figure shows that MK can be changed once and CK can be changed three times.)

V18, (GV)-KCH-M system is available also on master key system or grand master key system.



B V18 -KCH-BE (or GV-KCH-BE) system (Master key system is not available.)

<V, (GV) -KCH-BE system ex.>



(※ V18 cylinder can be changed CK five times, GV cylinder can be changed CK six times.)

UKS 2 GV cylinder's Universal Key System UKS 2 (option spec.)

(※Our original keying system of GV cylinder.) (PAT.P)

Information

Pin cylinder, Keying system, Function No. To order, etc.

Locks

Push-pull handle lock
Handle designs
PXK, PX, PZK, PZ, PLK, PL, PVKU, PY, PYS

Lever handle lock
Handle designs
AHL, AHL, LGK, LG, LX, LH, HL, LY, LW

Mortise lock
Knob designs
AH, AHP, AS, HS

Integral lock
UC, G

Cylindrical lock
UH, US

Dead lock
LDK, LD, HD, 1502/1503, AHD, AD, GK, GG, HN, ANT

Rim dead lock
MH, MD, MDU

Cremon bolt
CMM

Glass door lock
2510, HDT, CG, AG, BGU

Sliding door lock
SK, PSS, SAK, SN, TSD, AD(B/S600)

Cup handle lock
AHC, ASC, HSTC, UCC, GC

Emergency lock
AHLH, AHH, HSTH, HDH, AHDH

Electric lock & Security system

RF key Remo. con. key Ten key pad
KRS, KRC, BTKLX, TRS

Hotel card lock
JCLM, JCL

Electric lock
PXE, PZE, EZS, EXS, EXM, EU, ES, EL, EM, EV, SXE, CMT, CMR, ME

Electric conductor, Control box, Key switch, etc.
RCL, RCB, RSP, KS, ACT

Dimensions

UKS 2 is the key change system based on GV dimple-key cylinder which provide super excellent security, and key can be changed repeatedly without replacing cylinder or lock according to requirements.

Key variances of UKS 2 system

- UKS 2 S type..... Max. 300
 - UKS 2 M type..... Max. 1,100
 - UKS 2 L type..... Max. 2,400
- (※Can change the resident-key repeatedly.)

A Under construction (All cylinders are initial status.)

<construction-key> ● Construction worker should use the construction-key.
All cylinders are operated by the construction-key.

Note: Please rescind the construction-key when construction is finished.

B When construction is finished, cylinder should be reset and set to resident-key.

① Please reset the cylinder.

- Please reset the cylinder by reset-key at first.

<Reset-key>

<How to reset>

- Insert the reset-key.

- Turn right it to 90°, then return left to 90° and pull it out.

Resetting is finished

② Please set the cylinder to resident-key A.

- Please set the cylinder to resident-key A by resident-key A combined with set-tool.

<Resident-key A>

<set-tool>

※ using on combined

<How to set>

- Insert the resident-key A combined with set-tool.

- Turn right it to 90°, then return left to 90° and pull it out.

Setting is finished

③ Please confirm that the cylinder is set to resident-key A.

- Please confirm that the cylinder is set or not set by confirmation-key.

<Confirmation-key>

<How to confirm>

- Insert the confirmation-key.

- Confirmation-key can't turn around on setting status.

Setting status

- If confirmation-key can turn around, setting is not finished. Then please repeat the procedure from beginning.

Non-setting status

C At move-out and move-in. (Change the resident-key A to new resident-key B.)

- ① Please reset the cylinder at first. (Resetting method is same as above.)
- ② Please set the cylinder to resident-key B by resident-key B combined with set-tool. (Setting method is same as above.)
Note: Old resident-key A can't operate after the cylinder is set to new resident-key B.
- ③ Please confirm that the cylinder is set to resident-key B by confirmation-key. (Confirmation method is same as above.)

D At management period.

<Resident-key z>

(Resetting, setting and confirmation methods are same as above.)

- At management period. (During resident doesn't move in.) Administrator set all empty room's cylinder to e.g. resident-key Z, so can operate all empty room's cylinder by one resident-key Z.

E Master key system is available. (option spec.)

<Master-key>

- Master-key system is available in UKS 2 by option specification.
- All cylinders are operable by one master-key in same master-group.



Information

3. GOAL Lock Function Numbers

Function Number (Classification)	Illustration (Model)	Operation (Applications) Kind of Lock	Function Number (Classification)	Illustration	Operation (Applications) Kind of Lock
1 (Passage Latch)	(Inside) (outside) (LG-1NU)	Locking function is not equipped. So can be opened from either side at anytime. (Room door etc.) ※ M I C	6 (Entrance & Communicating Lock)	(Inside) (outside) (LG-6NU)	Can be locked/unlocked from either side only with key. (Common entrance, Connecting door, etc.) ※ M I C M D E
3 (Exit Lock)	(LG-3NU)	Can be locked/unlocked only from inside. When locked from inside, can't be unlocked from outside. (Terrace door, etc.) ※ M I C M D E	7 (Classroom Lock / Storeroom Lock)	(LG-7NU)	Can be locked/unlocked only from outside with key. Can't be locked/unlocked from inside. (The cylindrical lock can be opened from inside at anytime.) (Classroom, Sickroom, Storeroom, etc.) ※ M I C M D E
4 (no indicator)	(LG-4)	Can be locked/unlocked from inside. Equipped with an emergency device. So can be unlocked from outside with coin. (Bathroom, Toilet, Nursery, Bedroom, etc.) ※ M I M D	8 (Storeroom Lock)	(V-AHL-8NU)	Outside handle is always rigid. Can't be opened from outside without a key. Can be opened at any time from inside. (Hotel guest room, Storeroom, Machinery room, etc.) ※ M AHL AH-B C UH, US-8
45 (equipped with indicator) (Privacy Lock)	(LG-45NU)		82·84 85 (Office Lock)	(V-AH-85Q)	In addition to entrance lock's function can be locked automatically from inside by turning or pushing button without key. (Entrance, Office, etc.) ※ M AH-82, 84, 85
49 (Privacy Lock for bathroom unit)	during construction	During construction, use the key as entrance lock. When construction has been completed, a chip key is inserted to unlock with coin without key. (Bathroom unit) ※ C ULW-49, 49EBL	9 (Hotel Lock)	(V-AHL-9NU)	Outside handle is always rigid. Can't be opened from outside without a key or card. Can be opened at any time by turning inside handle, latchbolt and deadbolt are retracted simultaneously. Equipped with hotel lock's key system. (Hotel guest room) ※ M AHL AH-B C UH-9 H.C JCLM, JCL
	after completed			(V-JCL-ZU(NW))	
5 (Entrance Lock)	(LG-5NU)	Can be locked/unlocked from inside with thumbturn and from outside with key. (The cylindrical lock can be locked with inside button without key.) (Entrance, Office, etc.) ※ M I C M D E			

※ Kind of Lock M Mortise Lock I Integral Lock C Cylindrical Lock M.D Mortise Dead Lock E Electric Lock H.C Hotel Card Lock

When ordering or designating GOAL locks, include the following information.

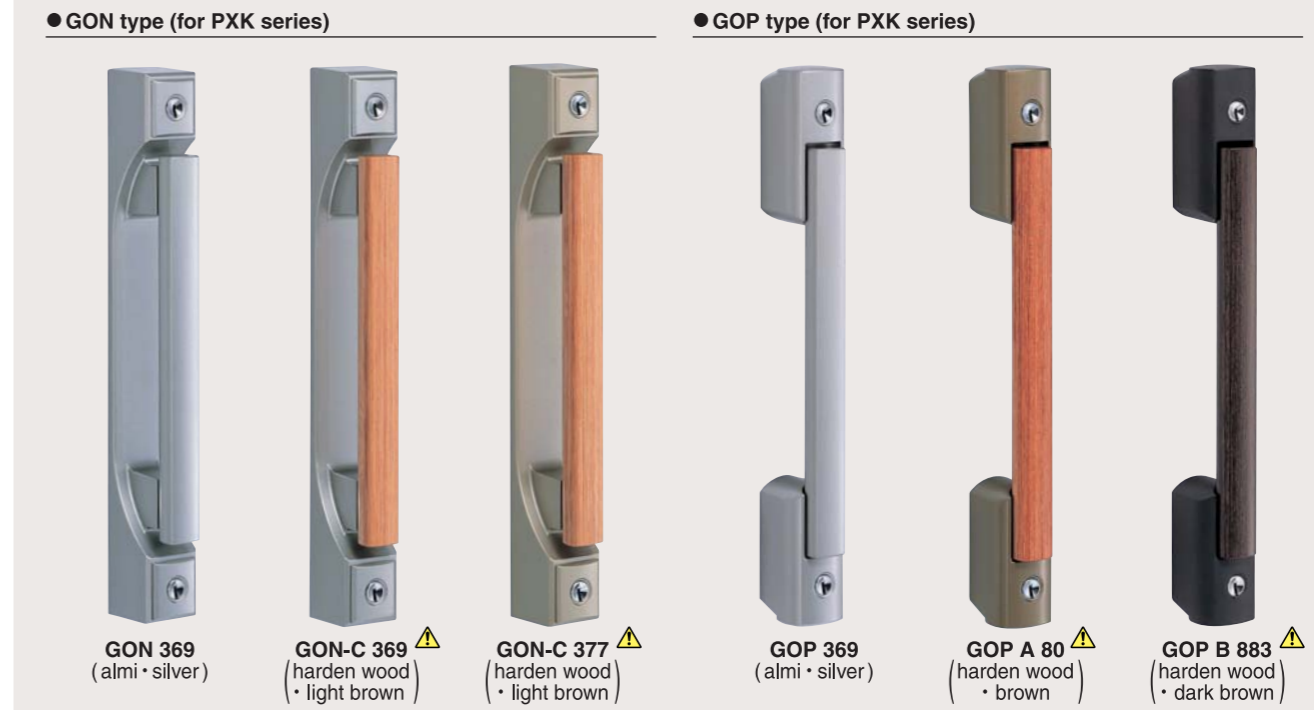
	Model			Handle design, Finish, etc.	Hand	Backset (mm)	Door thickness (mm)	Door type	Door material	Remarks
	Cylinder	Series	Function number							
(Example)	GV	LG	5	NU12S N5UW	L	51	36	Double leaves doors	Wooden door	UKS 2
	GV cylinder			Lever handle lock LG		NU type lever handle, bright stainless steel, N5U type escutcheon (both side)		Universal key change system.		
(Ex. 3)	V	ESRP	7	Q11S	L	76	36	Single leaf doors	Steel door	GGMK
	V18 cylinder			Electric lock (mortise lock) with antipanic device ESRP (V18 cylinder)		Q type knob, dull stainless steel.		L type (for outswinging left hand door or inswinging right hand door)		
						Great grand master key system.				
(Ex. 2)	P	AH	9	BW21 S1	R	76	40	Single leaf doors	Steel door	MK
	6 pin tumblers cylinder (standard spec.)			Mortise lock AH		R type (for outswinging right hand door or inswinging left hand door)		B type wooden knob with dull brass S1 type escutcheon.		
						Master key system.				
(Ex. 4)	LY	LY		AU80A(R) R4U		51	30	Double leaves doors	Wooden door	
	Lever handle latch LY			AU type lever handle, coating umber, R hand, with R4U type rose.						

Dimensions

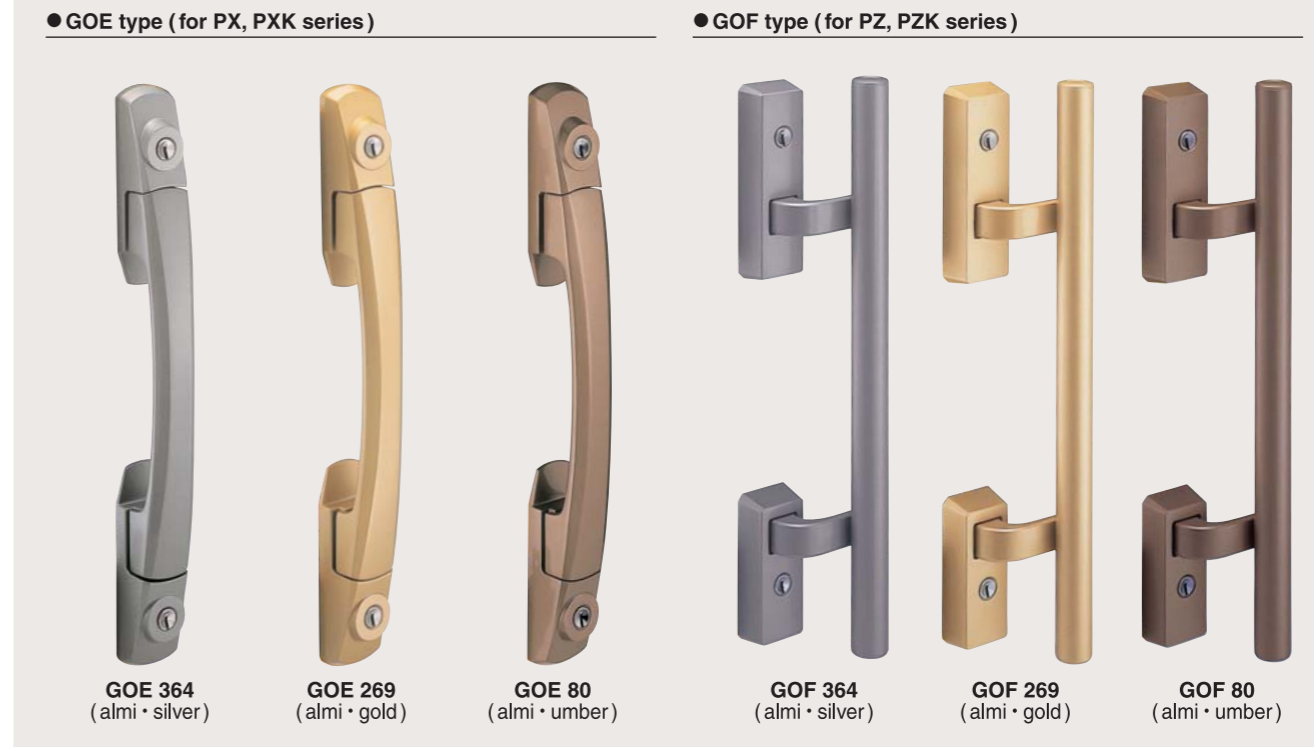
PXK, PX Push-pull handle lock

PZK, PZ PXK, PX, PZK, PZ series handle

Note : Refer to under table for handle and escutcheon's finishes.



⚠ Caution : GON, GOP-A,B,C type handle are used harden wood, so should be used at indoor.



Handle and escutcheon's design and finish

Handle design	Symbol	(Handle material · finish)	(Escutcheon material · finish)	Cylinder
GON GOP	GON 369, GOP 369	(alumi · silver)	(alumi · silver)	V18 cyl. GV cyl.
	GON-C 369, GOP-C 369 ⚠	(harden wood · light brown)	(alumi · silver)	
	GON-C 377, GOP-C 377 ⚠	(harden wood · light brown)	(alumi · champagne silver)	
	GON-A 80, GOP-A 80 ⚠	(harden wood · brown)	(alumi · umber)	
	GON-B 883, GOP-B 883 ⚠	(harden wood · dark brown)	(alumi · black)	
GOE GOF	GOE 364, GOF 364	(alumi · silver)	(alumi · silver)	6P cyl. 7P cyl. V18 cyl. GV cyl.
	GOE 269, GOF 269	(alumi · gold)	(alumi · gold)	
	GOE 80, GOF 80	(alumi · umber)	(alumi · umber)	

Information

Pin cylinder, Keying system, Function No. To order, etc.

Locks

Push-pull handle lock
Handle designs
PXK, PX, PZK, PZ, PLK, PL, PVKU, PY, PYS

Lever handle lock
Handle designs
AHL, AHL-P, LGK, LG, LX, LH, HL, LY, LW

Mortise lock
Knob designs
AH, AHP, AS, HS

Integral lock
UC, G

Cylindrical lock
UH, US

Dead lock
LDK, LD, HD, 1502/1503, AHD, AD, GK, GG, HN, ANT

Rim dead lock
MH, MD, MDU
Cremon bolt
CMM

Glass door lock
2510, HDT, CG, AG, BGU

Sliding door lock
SX, PSS, SAK, SN, TSD, AD(B/S600)

Cup handle lock
AHC, ASC, HSTC, UCC, GC

Emergency lock
AHLH, AHH, HSTH, HDH, AHDH

Electric lock & Security system

RF key
Remo. con. key
Ten key pad
KRS, KRC, BTKLX, TKS

Hotel card lock
JCLM, JCL

Electric lock
PXE, PZE, EZS, EXS, EXM, EU, ES, EL, EM, EV, SXE, CMT, CMR, ME

Electric conductor, Control box, Key switch, etc.
RCL, RCB, RSP, KS, ACT

Dimensions

PY Push-pull handle latch PY series handle

Note : Refer to under table for handle and escutcheon's finishes.

※ (Various finishes are available, refer to under table.)

- ARC type
- GOB type
- GOF type
- MOA, MOB, MOC type



ARC 23
(almi · gold)



GOB 12
(stainless · bright)



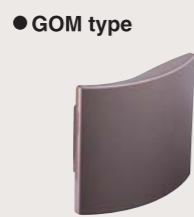
GOF 364
(almi · silver)



MOA
(harden wood · brown)



GOL 364
(almi · silver)



GOM 80
(almi · umber)



GMA
(※ refer under table)



GOU 47
(almi · silver)



GOX 269 (almi · gold)

Caution : MOA, MOB, MOC, GMA type handle are used harden wood or natural wood, so should be used at indoor.

■ Handle design and finish

Design	symbol (material · finish)
ARC	ARC 23 (almi · gold), ARC 883 (almi · black), ARC 74 (brass · antique)
GOB	GOB 364 (almi · silver), GOB 269 (almi · gold), GOB 12 (stainless · bright)
GOF	GOF 364 (almi · silver), GOF 269 (almi · gold)
MOA, MOB, MOC	MOA (harden wood · brown), MOB (harden wood · dark brown), MOC (harden wood · light brown)
GOL, GOM, GOU, GOX	*** 364 (almi · silver), *** 269 (almi · gold), *** 80 (almi · umber) (*** indicates handle design e, g., GOL or GOM or GOU or GOX)
GMA	GMA (almi sticked natural wooden film · silver)

PXK PX Push-pull handle lock PJK, PX

Applications Entrance, etc. (※ out-swinging door only)



Easy operation and excelling in security, grip-handle lock.

Features

- Easy operation to open the door by just pushing or pulling the grip-handle.
- Excelling in security by two locks.
- PJK is more effective for security by hooked deadbolt. (but PX has a normal deadbolt.)
- Smooth and secure function.
- Electric lock PJKKE, PJKXE are available. (refer to P.56)

Specifications

Series	PJK (hooked deadbolt)	PX (normal deadbolt)
Backset	64mm	
Door thickness (note1)	31~34 · 34~37 · 37~40 · 40~43mm	
Gap (door and jamb)	under 6mm	
Hand	R type, L type (refer to under table)	
Cylinder [symbol] (note2)	6pin[P](standard), 7pin[Z], V18[V], GV[GV] MK,GMK,GGMK,CNK,etc.available (ref. P.6~7) (V18,GV...Key change system is available, refer to P.8.) (GV...Universal key system(UKS 2) is available, refer to P.9.)	
Keying system	MK,GMK,GGMK,CNK,etc.available (ref. P.6~7)	
Key	3, Nickel-silver	
Handle design (ref. P.11)	GON, GOP, GOE	GOE
Finish [symbol]	GOE...silver [364], gold[269], umber [80] GON, GOP...almi, silver [369], horden wood, etc	
Model	PJK-5	PX-5

note1: More than above-stated door thickness is available by special spec.
2: When ordering or specifying V18 cylinder, add "V" to model number e.g. V-PJK-5GOE.

■ Hand of PJK, PX, PJKZ, PZ (※ out-swinging door only)

Hand of lock	Adaptable hand of door
R type	
L type	

PZK PZ Push-pull handle lock PZK, PZ

Applications Entrance, etc. (※ out-swinging door only)



Easy operation and excelling in security, bar-handle lock.

Features

- Easy operation to open the door by just pushing or pulling the bar-handle.
- Excelling in security by two locks.
- PZK is more effective for security by hooked deadbolt. (but PZ has a normal deadbolt.)
- Smooth and secure function.
- Electric lock PZKE, PZE are available. (refer to P.56)

Specifications

Series	PZK (hooked deadbolt)	PZ (normal deadbolt)
Backset	64mm	
Door thickness (note1)	6, 7 pin...31~33 · 34~36 · 37~39 · 40~42mm V18, GV...36~37 · 38~40 · 41~43mm	
Gap (door and jamb)	under 6mm	
Hand	R type, L type (refer to under table)	
Cylinder [symbol] (note2)	6pin[P](standard), 7pin[Z], V18[V], GV[GV] MK,GMK,GGMK,CNK,etc.available (ref. P.6~7) (V18,GV...Key change system is available, refer to P.8.) (GV...Universal key system(UKS 2) is available, refer to P.9.)	
Keying system	MK,GMK,GGMK,CNK,etc.available (ref. P.6~7)	
Key	3, Nickel-silver	
Handle design	GOF type (refer to P.11)	
Finish [symbol]	silver [364], gold [269], umber [80]	
Model	PZK-5	PZ-5

note1: More than above-stated door thickness is available by special spec.
2: When ordering or specifying V18 cylinder, add "V" to model number e.g. V-PZK-5GOF.

PLK Push-pull handle lock PLK, PL series

Applications Entrance, etc.



Easy operation and excelling in security, plate-handle lock.

Features

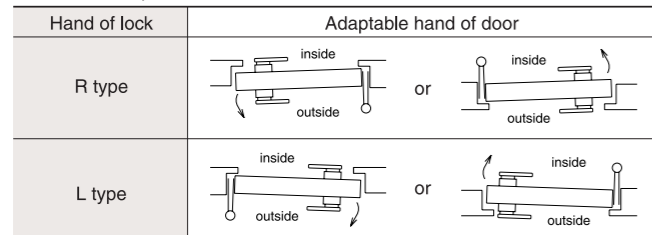
- Easy operation to open the door by just pushing or pulling the plate-handle.
- Excelling in security.
- PLK is more effective for security by hooked deadbolt. (but PL has a normal deadbolt.)
- Smooth and secure function.
- Handle is simple design.
- Easy to install by compact body.

Specifications

Series	PLK (hooked deadbolt)	PL (normal deadbolt)
Backset	64mm	
Door thickness (note1)	33~38·38~43·43~48·48~53mm	
Gap (door and jamb)	under 6mm	
Hand	R type, L type (refer to under table)	
Cylinder [symbol] (note2)	6pin[P](standard), 7pin[Z], V18[V], GV[GV]	
Keying system	MK,GMK,GGMK,CNK,etc.available (ref. P.6~7) (V18,GV...Key change system is available, refer to P.8.) (GV...Universal key system(UKS 2) is available, refer to P.9.)	
Key	3, Nickel-silver	
Handle design	GOVA type	
Finish [symbol]	silver [364], gold[269], dull [11S]	
Model	PLK-3, 5, 6, 7	PL-3, 5, 6, 7

note1: More than above-stated door thickness is available by special spec.
2: When ordering or specifying V18 cylinder, add "V" to model number e.g. V-PLK-5GOVA (364) (R).

Hand of PLK, PL



PVKU Push-pull handle lock PVKU

Applications Entrance, etc.



Easy operation and excelling in security, plate-handle lock.

Features

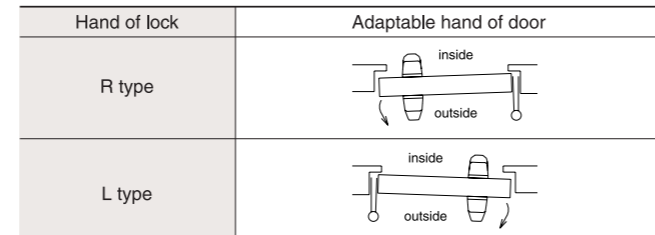
- Easy operation to open the door by just pushing or pulling the plate-handle.
- Excelling in security.
- More effective for security by hooked deadbolt.
- Electric lock PVKE is available. (refer to P.56)
- Smooth and secure function.
- Handle is simple design.
- Easy to install by compact body.

Specifications

Backset	64mm
Door thickness (note1)	31~34·34~37·37~40·40~43mm
Gap (door and jamb)	under 6mm
Hand	R type, L type (refer to under table)
Cylinder [symbol](note2)	V18[V](standard), GV[GV]
Keying system	MK,GMK,GGMK,CNK,etc.available (ref. P.6~7) (V18,GV...Key change system is available, refer to P.8.) (GV...Universal key system(UKS 2) is available, refer to P.9.)
Key	3, Nickel-silver
Handle design	GOR type
Finish [symbol]	silver [364], gold[269], umber [80]
Model	PVKU-5

note1: More than above-stated door thickness is available by special spec.
2: When ordering or specifying V18 cylinder, add "V" to model number e.g. V-PVK-5.

Hand of PVKU



PY & LDK Push-pull handle latch PY & dead lock LDK

Applications Entrance, etc.



PY is easy operation and LDK is excelling in security.

Features

- PY is easy operation to open the door by just pushing or pulling the handle.
- Wide variety of well designed plate or bar handle. (refer to P.12)
- Dead lock LDK is excelling in security. (refer to P.32)
- Another series of dead locks LD, HD are useable. (refer to P. 32)

Specifications

Series	LDK (hooked deadbolt)	LD (normal deadbolt)
Backset	64mm	
Door thickness (note1)	29~33·33~38·38~43·43~48·48~53mm	
Gap (door and jamb)	not more than 6mm	
Handle design	GOM, GOL, ARC, etc. (refer to P.12)	

note1: More than above-stated door thickness is available by special spec.
2: When ordering or specifying e.g. PY-GOM.

LDK, LD

Series	LDK (hooked deadbolt)	LD (normal deadbolt)
Backset	64mm	
Door thickness (note1)	29~43·43~53mm	
Gap (door and jamb)	not more than 6mm	
Cylinder [symbol] (note2)	6pin[P](standard), 7pin[Z], V18[V], GV[GV]	
Keying system	MK,GMK,GGMK,CNK,etc.available. (ref. P.6~7) (V18,GV...Key change system is available, refer to P.8.) (GV...Universal key system(UKS 2) is available, refer to P.9.)	
Key	3, Nickel-silver	
Model	LDK-5	LD-5

note1: More than above-stated door thickness is available by special spec.
2: When ordering or specifying V18 cylinder, add "V" to model number e.g. V-LDK-5.

PYS Muffled push-pull handle latch PYS

Applications Sick room, Room doors, etc.



Easy operation push-pull handle with muffling function.

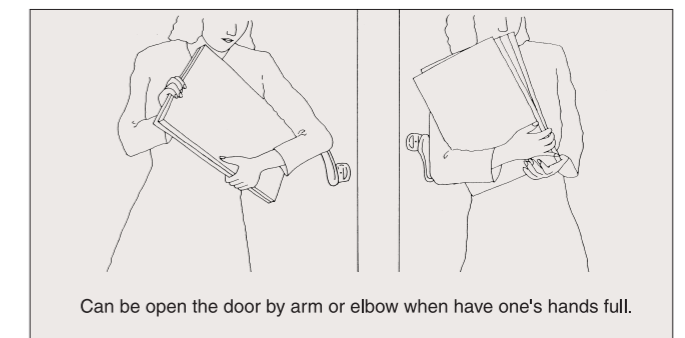
Features

- Easy operation to open the door by just pushing or pulling the handle.
- Muffling function for silent opening and closing.
- No accidental door opening due to wind, etc.
- Adjustment is proved to correct door and jamb gap even after installation.

Specifications

Backset	64mm
Door thickness (note)	28~35·35~42·42~49mm
Gap (door and jamb)	not more than 8mm

note: More than above-stated door thickness is available by special spec.



Dimensions

Lever handle Lever handle designs (1/2) note: Specify the hand of lever handle shown (R, L).

Information

Pin cylinder, Keying system, Function No., To order, etc.

Locks

Push-pull handle lock
Handle designs
PXK, PX, PZK, PZ, PLK, PL, PVKU, PY, PYS

Lever handle lock
Handle designs
AHL, AHL.P, LGK, LG, LX, LH, HL, LY, LW

Mortise lock
Knob designs
AH, AHP, AS, HS

Integral lock
UC, G

Cylindrical lock
UH, US

Dead lock
LDK, LD, HD, 1502/1503, AHD, AD, GK, GG, HN, ANT

Rim dead lock
MH, MD, MDU
Cremon bolt
CMM

Glass door lock
2510, HDT, CG, AG, BGU

Sliding door lock
SK, PSS, SAK, SN, TSD, AD(B/S600)

Cup handle lock
AHC, ASC, HSTC, UCC, GC

Emergency lock
AHLH, AHH, HSTH, HDH, AHDH

Electric lock & Security system

RF key Remo. con. key Ten key pad
KRS, KRC, BTKLX, TKS

Hotel card lock
JCLM, JCL

Electric lock
PXE, PZE, EZS, EXS, EXM, EU, ES, EL, EM, EV, SXE, CMT, CMR, ME

Electric conductor, Control box, Key switch, etc.
RCL, RCB, RSP, KS, ACT

Dimensions

Stainless steel

NU NU 11 S (dull) 	NU 12 S (bright) 	KU KU 11 S (dull) 	KU 12 S (bright) 	TU TU 11 S (dull) ※12 S (bright) available
DU DU 11 S (dull) 	DU 12 S (bright) 	COMU (R, L) (note) COMU 11 S (R) (dull) 	COMU 12 S (R) (bright) 	JUPU JUPU 12 S (bright) ※11 S (dull) available
ZU ZU 11 S (dull) ※12 S (bright) available	ORIU ORIU 11 S (dull) ※12 S (bright) available	LWINU (R, L) (note) LWINU 11 S (R) (dull) ※12 S (bright) is not available	DBRU (R, L) (note) DBRU 12 S (R) (bright) ※11 S (dull) available	KIAU KIAU 12 S (bright) ※11 S (dull) available

Aluminum

AU (R, L) (note) AU 40 A (R) (alumite silver) 	AU 23 A (R) (alumite gold) 	AU 80 A (R) (coating umber) 	AU 88 A (R) (coating black)
ATLU (R, L) (note) ATLU 40 A (R) (alumite silver) 	ATLU 23 A (R) (alumite gold) 	ATLU 80 A (R) (coating umber) 	BRKU (R, L) (note) BRKU 23 A (R) (alumite gold)
BU BU 40 A (alumite silver) 	BU 23 A (alumite gold) 	BU 80 A (coating umber) ※88 A (black) available	DU DU 23 A (alumite gold)
LBU LBU 369 A (coating silver) 	LBU 269 A (coating gold) 	LBU 80 A (coating umber) 	
COMU (R, L) (note) COMU 40 A (R) (alumite silver) 	COMU 23 A (R) (alumite gold) 	COMU 80 A (R) (coating umber) 	

Aluminum

EU (R, L) (note) EU 369 A (R) (coating silver) 	EU 269 A (R) (coating gold) 	EU 80 A (R) (coating umber) 	EU 88 A (R) (coating black)
GOK GOK 40 A (alumite silver) 	GOK 23 A (alumite gold) 	HU (R, L) (note) HU 40 A (R) (alumite silver) 	HU 23 A (R) (alumite gold)
JU JU 42 A (alumite silver) 	JU 23 A (alumite gold) 	JU 88 A (coating black) 	NFA NFA 23 A (alumite gold)
ORIU ORIU 42 A (alumite silver) 	ORIU 23 A (alumite gold) 	AU 80 A (coating umber) 	OBYU OBYU 42 A (alumite silver)
PASU (R, L) (note) PASU 40 A (R) (alumite silver) 	PASU 23 A (R) (alumite gold) 	PASU 641 A (R) (coating light brown) 	PU (R, L) (note) PU 40 A (R) (alumite silver)
ROAU (R, L) (note) ROAU 369 A (R) (coating silver) 	ROAU 269 A (R) (coating gold) 	ROAU 263 A (R) (coating bronze) 	ROAU 80 A (R) (coating umber)
ROBU ROBU 369 A (coating silver) 	ROBU 269 A (coating gold) 	ROBU 263 A (coating bronze) 	ROBU 80 A (coating umber)
TU TU 40 A (alumite silver) 	TU 23 A (alumite gold) 		ST (R, L) (note) ST 369 A (R) (silver)

Information

Pin cylinder, Keying system, Function No., To order, etc.

Locks

Push-pull handle lock
Handle designs
PXK, PX, PZK, PZ, PLK, PL, PVKU, PY, PYS

Lever handle lock
Handle designs
AHL, AHL.P, LGK, LG, LX, LH, HL, LY, LW

Mortise lock
Knob designs
AH, AHP, AS, HS

Integral lock
UC, G

Cylindrical lock
UH, US

Dead lock
LDK, LD, HD, 1502/1503, AHD, AD, GK, GG, HN, ANT

Rim dead lock
MH, MD, MDU
Cremon bolt
CMM

Glass door lock
2510, HDT, CG, AG, BGU

Sliding door lock
SK, PSS, SAK, SN, TSD, AD(B/S600)

Cup handle lock
AHC, ASC, HSTC, UCC, GC

Emergency lock
AHLH, AHH, HSTH, HDH, AHDH

Electric lock & Security system

RF key Remo. con. key Ten key pad
KRS, KRC, BTKLX, TKS

Hotel card lock
JCLM, JCL

Electric lock
PXE, PZE, EZS, EXS, EXM, EU, ES, EL, EM, EV, SXE, CMT, CMR, ME

Electric conductor, Control box, Key switch, etc.
RCL, RCB, RSP, KS, ACT

Dimensions

Lever handle Lever handle designs (2/2)

Information

Pin cylinder, Keying system, Function No., To order, etc.

Locks

Push-pull handle lock
Handle designs
PXK, PX, PZK, PZ, PLK, PL, PVKU, PY, PYS

Lever handle lock
Handle designs
AHL, AHL.P, LGK, LG, LX, LH, HL, LY, LW

Mortise lock
Knob designs
AH, AHP, AS, HS

Integral lock
UC, G
Cylindrical lock
UH, US

Dead lock
LDK, LD, HD, 1502/1503, AHD, AD, GK, GG, HN, ANT

Rim dead lock
MH, MD, MDU
Cremon bolt
CMM

Glass door lock
2510, HDT, CG, AG, BGU

Sliding door lock
SX, PSS, SAK, SN, TSD, AD(B/S600)

Cup handle lock
AHC, ASC, HSTC, UCC, GC

Emergency lock
AHLH, AHH, HSTH, HDH, AHDH

Electric lock & Security system

RF key Remo. con. key Ten key pad
KRS, KRC, BTKLX, TKS

Hotel card lock
JCLM, JCL

Electric lock
PXE, PZE, EZS, EXS, EXM, EU, ES, EL, EM, EV, SXE, CMT, CMR, ME

Electric conductor, Control box, Key switch, etc.
RCL, RCB, RSP, KS, ACT

Dimensions

Aluminum

WINU (R, L) (note)
WINU 40 A (R) (alumite silver) WINU 23 A (R) (alumite gold) WINU 80 A (R) (coating umber)



ZU
ZU 40 A (alumite silver) ZU 23 A (alumite gold) ZU 80 A (coating umber)



Harden wood

PRCU W8
PRCU 11B W8 (dull nickel)



RNT W8
RNT 11B W8 (dull nickel)



(bright nickel, dull stainless, bright brass finishes are available)
⚠ Caution: Harden wood lever handle should be used at indoor.

Brass

BRKU (R, L) (note)
BRKU 22 B (R) (bright brass)



ZU
ZU 22 B (bright brass)



SWUU
SWUU 11



PRS (R, L) (note)
PRS 71 B (R) (antique brass)



ROL (R, L) (note)
ROL 74 B (R) (antique brass)



Special series ⚠ Harden wood lever handle is not be used in the out of door.

HIBU
22 B W1 (bright brass-japanese oak)



HIBU
22 B W2 (bright brass-cherry)



HIBU
22 B S1 (bright brass-white marble)



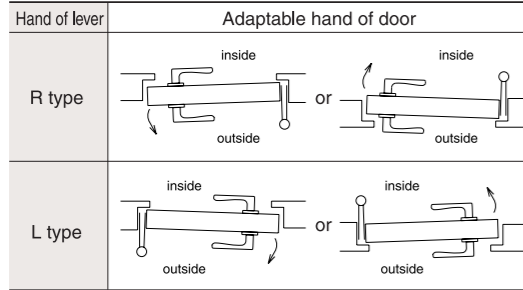
DLC
94 B S5 (bright brass-green marble)



GLY
11 B S3 (dull brass-black marble)



Hand of lever handle



note : Specify the hand of lever handle shown (R, L).

Finishes of escutcheon

material	series and escutcheon	series and escutcheon			LG, LX, LGK					LY		
		AHL, LG, LX etc.	LG, LX, LY (φ32)	AHL	N1U	N2U	N4U	N5U	U1U	U3U	U5U	
stainless	dull (11 S)	○	○	○	○							○
	bright (12 S)	○	○	○	○							○
	coating umber (80)	○	○	○	○							○
	coating black (88)	○	○	○	○							○
brass	dull (21 B)	○	○	○	○							○
	bright (22 B)	○	○	○	○							○
	antique (71 B)	○	○	○	○							○
	coating umber (80)	○	○	○	○							○
aluminum	dull nickel (11)											○
	alumite silver (40 A)	○	○									○
	coating umber (80)	○	○									○
	alumite gold (23 A)	○	○									○

Escutcheon Escutcheon of lever handle lock. (Can be used all lever handle shown on P.16-18.)

Information

Pin cylinder, Keying system, Function No., To order, etc.

Locks

Push-pull handle lock
Handle designs
PXK, PX, PZK, PZ, PLK, PL, PVKU, PY, PYS

Lever handle lock
Handle designs
AHL, AHL.P, LGK, LG, LX, LH, HL, LY, LW

Mortise lock
Knob designs
AH, AHP, AS, HS

Integral lock
UC, G
Cylindrical lock
UH, US

Dead lock
LDK, LD, HD, 1502/1503, AHD, AD, GK, GG, HN, ANT

Rim dead lock
MH, MD, MDU
Cremon bolt
CMM

Glass door lock
2510, HDT, CG, AG, BGU

Sliding door lock
SX, PSS, SAK, SN, TSD, AD(B/S600)

Cup handle lock
AHC, ASC, HSTC, UCC, GC

Emergency lock
AHLH, AHH, HSTH, HDH, AHDH

Electric lock & Security system

RF key Remo. con. key Ten key pad
KRS, KRC, BTKLX, TKS

Hotel card lock
JCLM, JCL

Electric lock
PXE, PZE, EZS, EXS, EXM, EU, ES, EL, EM, EV, SXE, CMT, CMR, ME

Electric conductor, Control box, Key switch, etc.
RCL, RCB, RSP, KS, ACT

Dimensions

Lever handle lock AHL series Rose and Escutcheon

R4U rose (standard)



(various finishes are available, refer to P.18)

S1U escutcheon (option)



dull stainless (S1U 11 S)



bright stainless (S1U 12 S)



dull brass (S1U 21 B)



bright brass (S1U 22 B)

Lever handle lock LGK, LG, LX series Rose and Escutcheon

R4U rose (standard) (for LG, LX (φ/s 38, 51, 64mm))



(various finishes are available, refer to P.18)

K1U (for LG, LX (φ/s 32mm))



N1U escutcheon (option)



dull stainless (N1U 11 S)



bright stainless (N1U 12 S)



coating umber (N1U 80)

N5U escutcheon (option) (for LG, LX (φ/s 51, 64mm), LGK)



dull stainless (t2.0) (N5U 11 S) (R)



bright stainless (t2.0) (N5U 12 S) (R)



alumite gold (alumi. t3.0) (N5U 23 A) (R)

Lever handle latch LY series Rose and Escutcheon

R4U rose (standard) (for LY (φ/s 51, 64mm))



(various finishes are available, refer to P.18)

K1U (for LY (φ/s 32mm))



U1U



U3U



U5U



K4U



AHL Mortise lever handle lock AHL series

AHLP Anti-panic lever handle lock AHLP series

AHL-9 Hotel lock AHL-9 (lever handle type), AH-9 Hotel lock AH-9 (knob type)

Information

Pin cylinder, Keying system, Function No., To order, etc.

Locks

Push-pull handle lock
Handle designs
PXK, PX, PZK, PZ, PLK, PL, PVKU, PY, PYS

Lever handle lock
Handle designs
AHL, AHLP, LGK, LG, LX, LH, HL, LY, LW

Mortise lock
Knob designs
AH, AHP, AS, HS

Integral lock
UC, G

Cylindrical lock
UH, US

Dead lock
LDK, LD, HD, 1502/1503, AHD, AD, GK, GG, HN, ANT

Rim dead lock
MH, MD, MDU
Cremon bolt
CMM

Glass door lock
2510, HDT, CG, AG, BGU

Sliding door lock
SK, PSS, SAK, SN, TSD, AD(B/S600)

Cup handle lock
AHC, ASC, HSTC, UCC, GC

Emergency lock
AHLH, AHH, HSTH, HDH, AHDH

Electric lock & Security system

RF key Remo. con. key Ten key pad
KRS, KRC, BTKLX, TRS

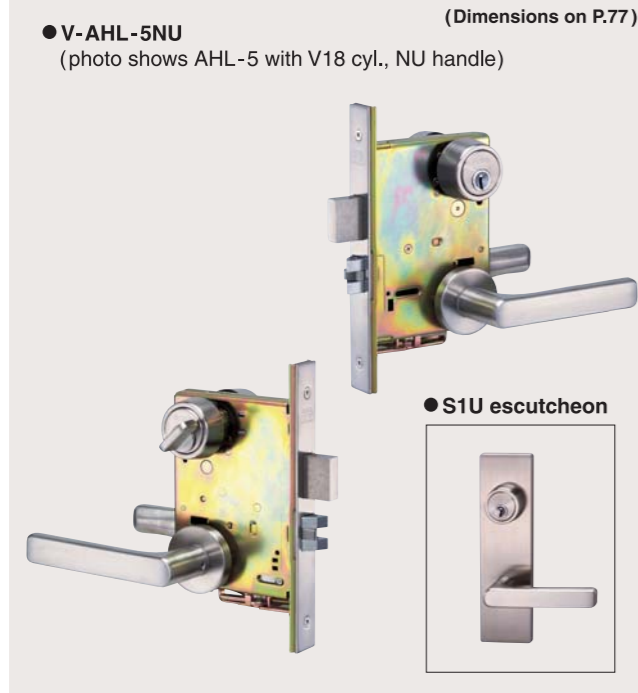
Hotel card lock
JCLM, JCL

Electric lock
PXE, PZE, EZS, EXS, EXM, EU, ES, EL, EM, EV, SXE, CMT, CMR, ME

Electric conductor, Control box, Key switch, etc.
RCL, RCB, RSP, KS, ACT

Dimensions

Applications Entrance, Office, Storeroom, Hotel, etc.



Special heavy duty mortise lever handle lock excelling in security, durability and operation.

Features

- Unparalleled for security and durability.
- Smooth and easy operation.
- Wide variety of well-designed lever handles.
- With anti-friction latchbolt featuring easily changed hand.
- With expansion brace.
- S1U escutcheon is available by special spec.
- Hotel lock **AHL-9** is available. (refer to P.21)

Specifications (AHL, AHLP)

Series	AHL	AHLP
Backset	76mm, 100mm	
Door thickness (note1)	35~42.5 42.5~50mm	33~38·38~43 43~48·48~53mm
Gap (door and jamb)	not more than 6mm (AHL-68, 8, 9)	
Hand	R, L (refer to P.23)	
Cylinder [symbol] (note2)	6pin[P](standard), 7pin[Z], V18[V], GV[GV]	
Key	3, Nickel-silver	
Keying system	MK, GMK, GGMK, CNK, etc. available. (ref. P.6~7) (V18, GV...Key change system is available, refer to P.8.) (GV...Universal key system (UKS 2) is available, refer to P.9.)	
Handle design	NU, KU, TU, ZU type, etc. (refer to P.16~18)	
Rose	R4U (standard)	exclusive rose
Escutcheon	S1U (special spec.) (AHL-5, 6)	
Model	AHL-1, 3, 5, 6, 68, 7, 8, 9	AHLP-3, 5, 6, 7

note1: More than above-stated door thickness is available by special spec.
2: [Z] indicates symbol of cylinder. When ordering or specifying V18 cylinder, add "V" to model number e.g. V-AHL-5NU.

Applications Entrance, Office, Storeroom, etc.



Anti-panic device on special heavy duty lever handle lock AHL.

Features

- Deadbolt is retracted together with latchbolt by turning inside lever handle in locked state. (Anti-panic device.)
- Excelling in security, durability and operation. (※ Other features are same as **AHL**.)

note: Dimensions and door preparation are differ from AHL.

AHL, AHLP series Model

Model	Classification	Illustration	
		AHL	AHLP
AHL-1**	Passage Latch	inside outside	—
AHL AHLP -3**	Patio Lock		
AHL AHLP -5**	Entrance Lock		
AHL AHLP -6**	Entrance & Communicating Lock		
AHL-68**	Storeroom Lock		—
AHL AHLP -7**	Storeroom Lock		—
AHL-8**	Storeroom Lock		—
AHL-9**	Hotel Lock (Anti-panic device is furnished)		—

Applications Hotel guest room, etc.



Special heavy-duty mortise hotel lock excelling in security, durability and operation.

Features

- Superior in security, durability and easy operation.
- Outside handle is always rigid, so locked automatically by closing door.
- Can be unlocked and open the door by turning inside handle. (anti-panic device)
- Furnished with hotel lock's keying system.
- With anti-friction latchbolt featuring easily changed hand.

Specifications

Series	AHL-9	AH-9
Backset	76mm, 100mm	76mm, 100mm
Door thickness (note1)	33~38·38~43 43~48·48~53mm	36~48mm (standard, N9 escutc.) 36~53mm (S1 escutc.)
Gap (door and jamb)	not more than 6mm	
Hand	R type, L type (refer to under table)	
Cylinder [symbol] (note2)	6pin[P](standard), 7pin[Z], V18[V], GV[GV]	
Keying system	MK, GMK, GGMK, CNK, etc. available. (ref. P.6~7) Hotel lock keying system is available (V18, GV...Key change system is not available. GV...Universal key system (UKS 2) is not available.)	
Key	3, Nickel-silver	
Handle (refer to P.16~18, 26)	Lever handle (NU, KU, TU, DU, etc.)	Knob (Q, Y, K, B type)
Escutcheon	S1U (standard)	Standard type, S1, N9

note1: More than above-stated door thickness is available by special spec.
2: When ordering or specifying V18 cylinder, add "V" to model number e.g. V-AHL-9NU.

Hand of hotel lock AHL-9, AH-9 and anti-panic lock AHLP.

Hand of lock	Adaptable hand of door
R type	
L type	

Information

Pin cylinder, Keying system, Function No., To order, etc.

Locks

Push-pull handle lock
Handle designs
PXK, PX, PZK, PZ, PLK, PL, PVKU, PY, PYS

Lever handle lock
Handle designs
AHL, AHLP, LGK, LG, LX, LH, HL, LY, LW

Mortise lock
Knob designs
AH, AHP, AS, HS

Integral lock
UC, G

Cylindrical lock
UH, US

Dead lock
LDK, LD, HD, 1502/1503, AHD, AD, GK, GG, HN, ANT

Rim dead lock
MH, MD, MDU
Cremon bolt
CMM

Glass door lock
2510, HDT, CG, AG, BGU

Sliding door lock
SK, PSS, SAK, SN, TSD, AD(B/S600)

Cup handle lock
AHC, ASC, HSTC, UCC, GC

Emergency lock
AHLH, AHH, HSTH, HDH, AHDH

Electric lock & Security system

RF key Remo. con. key Ten key pad
KRS, KRC, BTKLX, TRS

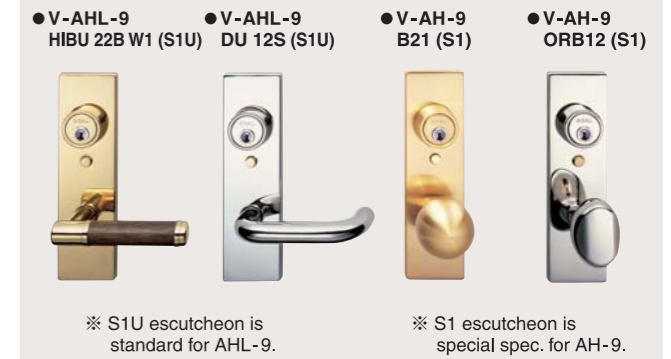
Hotel card lock
JCLM, JCL

Electric lock
PXE, PZE, EZS, EXS, EXM, EU, ES, EL, EM, EV, SXE, CMT, CMR, ME

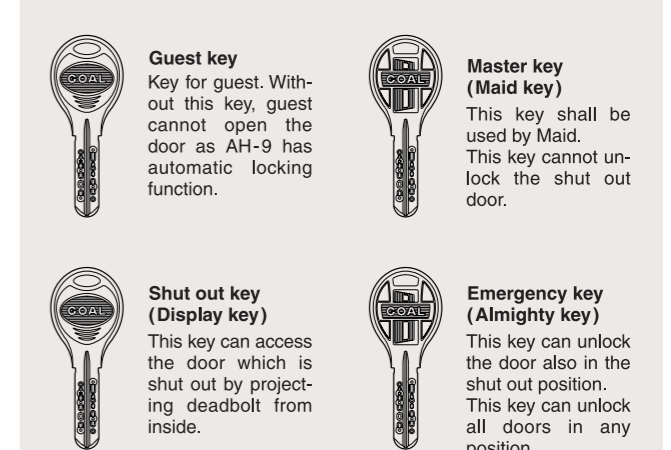
Electric conductor, Control box, Key switch, etc.
RCL, RCB, RSP, KS, ACT

Dimensions

Escutcheon and handle designs



Hotel lock keying system of V18 cylinder. (AHL-9, AH-9)

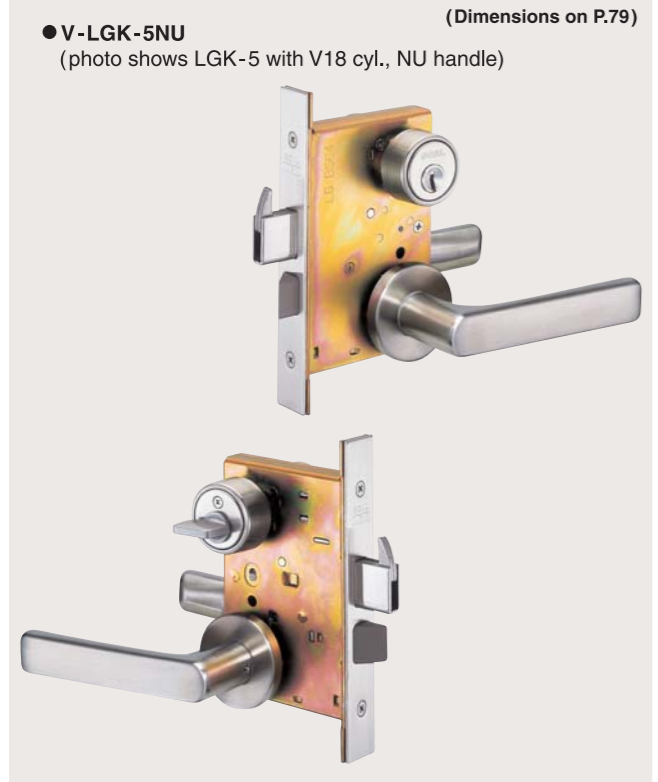


(Illustrations indicate dimple key of V18 cylinder.)

note: Hotel lock keying system is available in all cylinder.

LGK Mortise lever handle lock LGK series

Applications Entrance, Office, etc.



Lever handle lock with hooked deadbolt, excelling in security, durability and operation.

Features

- Extremely effective for security and durability.
- More effective for security with hooked deadbolt. (LGK)
- CP approved. (LGKJ)
- Smooth and easy operation.
- Wide variety of well-designed lever handles.
- No looseness in lever handle.



Specifications (LGK, LG)

Series	LGK (hooked deadbolt)		LG (normal deadbolt)	
	Backset	64mm	32mm	38, 51, 64, 76mm
Door thickness (note1)	29~33·33~43·43~53mm			
Gap (door and jamb)	not more than 6mm			
Cylinder [symbol] (note2)	6pin[P](standard), 7pin[Z], V18[V], GV[GV]			
Keying system	MK,GMK,GGMK,CNK,etc.available.(ref. P.6~7) (V18,GV...Key change system is available, refer to P.8.) (GV...Universal key system(UKS 2) is available, refer to P.9.)			
Key	3, Nickel-silver			
Handle design	NU, KU, TU, ZU type, etc. (refer to P.16~18)			
Rose	R4U (standard)	—	R4U	
Escutcheon (refer to P.19)	N2U, N4U, N5U is available	K1U	N2U, N4U, N5U	
Model	LGK-5, 6, 7	LG-1, 3, 4, 45, 5, 6, 7		

note1: More than above-stated door thickness is available by special spec.
2: [] indicates symbol of cylinder. When ordering or specifying V18 cylinder, add "V" to model number e.g. V-LGK-5NU.

LG Mortise lever handle lock LG series

Applications Entrance, Office, Conference room, etc.



Lever handle lock, excelling in security, durability and operation.

Features

- Extremely effective for security and durability. (Listed UL437 in 6. 2002.) (LGUL)
- Dead bolt is standard type. (※ Other features are same as LGK.)

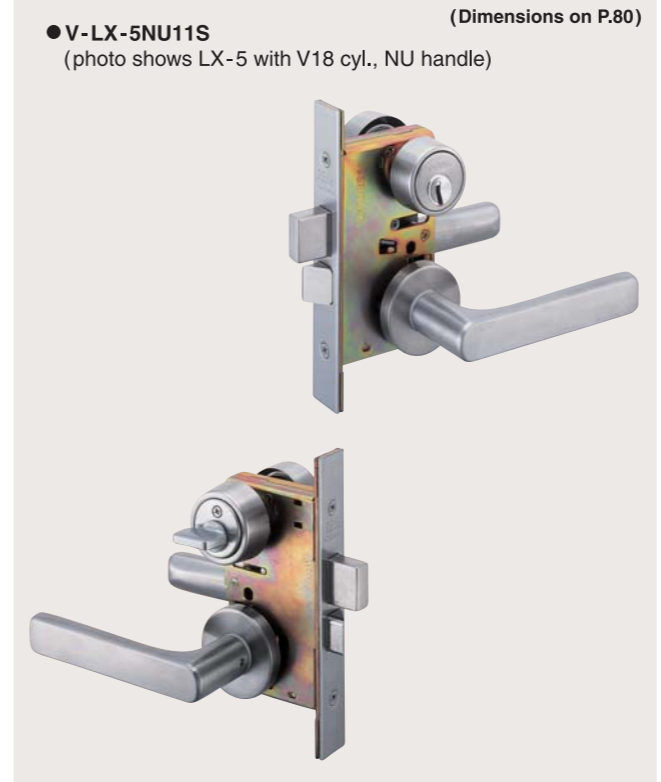


LGK, LG series Model

Model	Classification	Illustration	
		LGK	LG
LG-1**	Passage Latch	—	inside outside
LG-3**	Patio Lock	—	indicator
LG-4** (no indicator) LG-45** (with indicator)	Privacy Lock	—	indicator emer cyl.
(note2) LGK-5** LG	Entrance Lock		
LGK-6** LG	Entrance & communicating Lock		
LGK-7** LG	Storeroom Lock		

LX Mortise lever handle lock LX series

Applications Entrance, Offices, Conference room, etc.



Lever handle lock excelling in security, durability and operation.

Features

- Excelling in security and durability.
- Smooth and easy operation.
- Wide variety of well-designed lever handles.
- No looseness in lever handle.
- Rose and escutcheon are same as LG series. (refer to P.22)
- Model is same as LG series. (refer to P.22)

Specifications (LX, LH)

Series	LX		LHT, LHL, LHB, LHS
	Backset	32mm 38, 51, 64, 76mm	51, 64mm
Door thickness (note1)	29-33·33-43·43-53mm		
Gap (door and jamb)	not more than 6mm		
Cylinder [symbol] (note2)	6pin[P](standard), 7pin[Z], V18[V], GV[GV]		
Keying system	MK,GMK,GGMK,CNK,etc.available.(ref. P.6~7) (V18,GV...Key change system is available, refer to P.8.) (GV...Universal key system(UKS 2) is available, refer to P.9.)		
Key	3, Nickel-silver		
Handle design	NU, KU, TU, ZU type, etc. (refer to P.16~18)		
Rose	—	R4U (standard)	R4U
Escutcheon	K1U	N2U, N4U, N5U is available	
Model	LX-1, 3, 4, 45, 5, 6, 7	LHT, LHL, LHB, LHS-7	

note1: More than above-stated door thickness is available by special spec.
2: When ordering or specifying V18 cylinder, add "V" to model number e.g. V-LHL-7NU.

LH Automatically locking lock LH series

Applications Common entrance, Service entrance, etc.



Lever handle lock with automatically locking function.

Features

- Outside handle is always rigid.
- Locked automatically by closing door.
- Can be unlocked with key from outside.
- Always can be unlocked and open the door from inside by turning handle.

- LHT** (Holding unlocked state function is not furnished. So need both arm to open the door, when unlock with key.)
- LHL** (Holding function in unlocked state is furnished, so can open the door by single arm when unlock with key. When open the door holding function is released.)
- LHB** (Holding function is same as LHL. But holding function is not released until project the latchbolt by turning key.)
- LHS** (Holding function is controlled by turning the button (coin plug) on front plate of lock. And holding function is not released until return the button.)

Information

Pin cylinder, Keying system, Function No. To order, etc.

Locks

Push-pull handle lock
Handle designs
PXK, PX, PZK, PZ, PLK, PL, PVKU, PY, PYS

Lever handle lock
Handle designs
AHL, AHL.P, LGK, LG, LX, LH, HL, LY, LW

Mortise lock
Knob designs
AH, AHP, AS, HS

Integral lock
UC, G

Cylindrical lock
UH, US

Dead lock
LDK, LD, HD, 1502/1503, AHD, AD, GK, GG, HN, ANT

Rim dead lock
MH, MD, MDU
Cremon bolt
CMM

Glass door lock
2510, HDT, CG, AG, BGU

Sliding door lock
SX, PSS, SAK, SN, TSD, AD(B/S600)

Cup handle lock
AHC, ASC, HSTC, UCC, GC

Emergency lock
AHLH, AHH, HSTH, HDH, AHDH

Electric lock & Security system

RF key Remo. con. key Ten key pad
KRS, KRC, BTKLX, TRS

Hotel card lock
JCLM, JCL

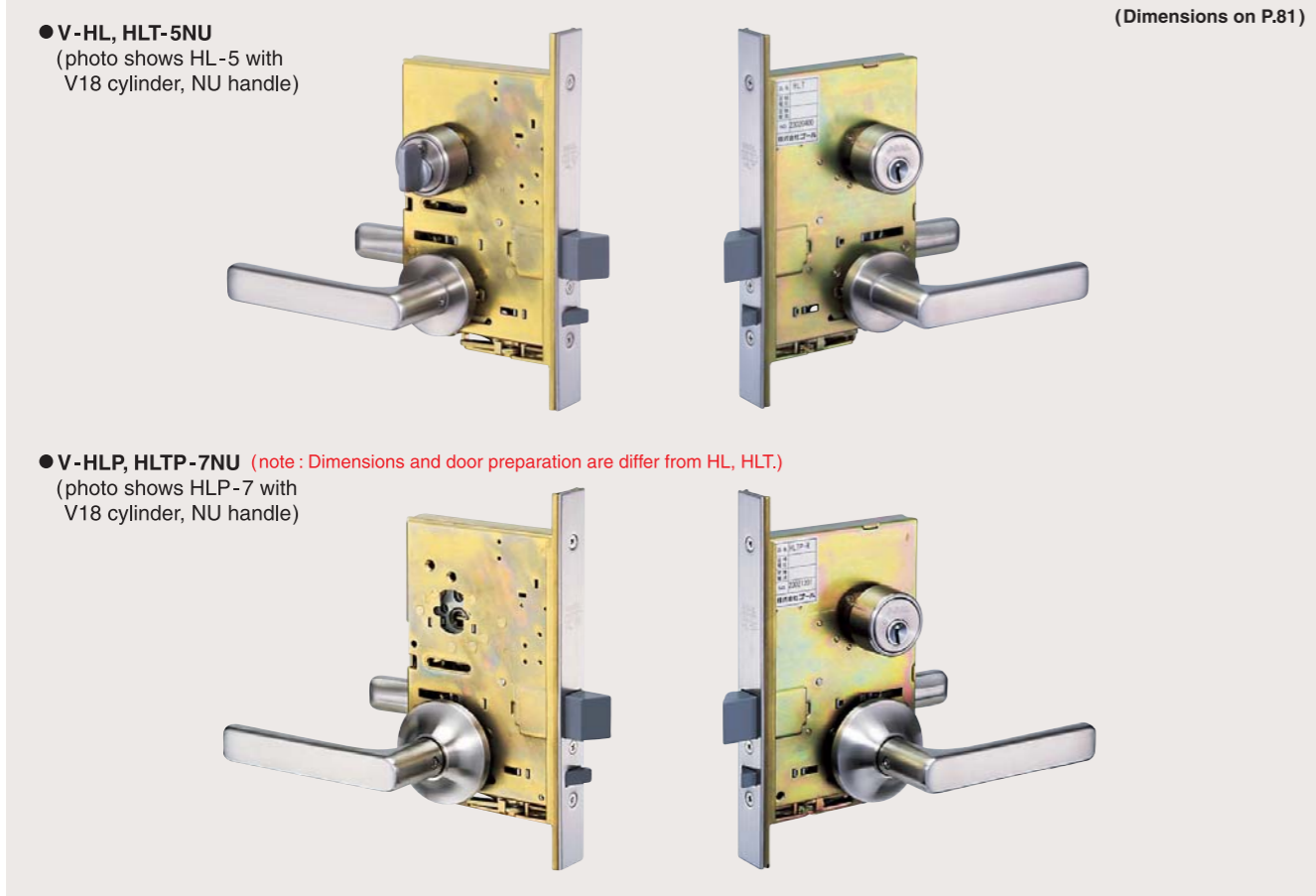
Electric lock
PXE, PZE, EZS, EXS, EXM, EU, ES, EL, EM, EV, SXE, CMT, CMR, ME

Electric conductor, Control box, Key switch, etc.
RCL, RCB, RSP, KS, ACT

Dimensions

HL, HLP HLT, HLTP Mortise lever handle lock with automatically locking device HL, HLT, HLP, HLTP series

Applications Entrance, Office, Service entrance, etc.



Lever handle lock with automatically locking function.

Features

HL series

- Can be locked or unlocked with key or thumbturn.
- Can be locked automatically when closing door by turning thumbturn or key to locked position.
- In locked state, both side handles are not operable.

HLT series (automatically locking lock)

- Can be locked automatically when closing door.
- In locked state, both side handles are not operable.
- Can be unlocked with key or thumbturn.

HLP series (anti-panic classroom function lock)

- Can be locked or unlocked with key or thumbturn.
- Can be locked automatically when closing door by turning thumbturn or key to locked position.
- In locked state, outside handle is not operable. But inside handle is always operative.

HLTP series (automatically locking lock with anti-panic device)

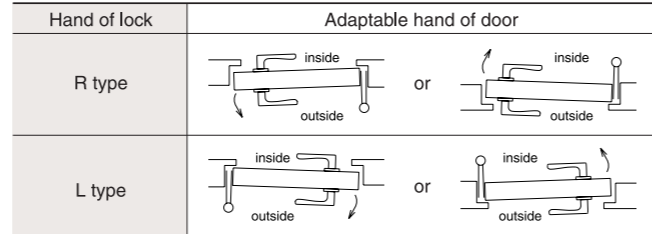
- Can be locked automatically when closing door.
- In locked state, outside handle is not operable. But inside handle is always operative.
- Can be unlocked with key.
- Model is HLTP-7 only.

Specifications

Series	HL, HLT	HLP, HLTP
Backset	64mm	64mm
Door thickness (note1)	29-33·33-43·43-53mm	29-33·33-38·38-43·43-48·48-53mm
Gap (door and jamb)	under 6mm	under 6mm
Hand	—	R, L (refer to under table)
Cylinder [symbol] (note2)	6pin[P](standard), 7pin[Z], V18[V], GV[GV]	
Keying system	MK,GMK,GGMK,CNK,etc.available. (ref. P.6~7) (V18,GV...Key change system is available, refer to P.8.) (GV...Universal key system(UKS 2) is available, refer to P.9.)	
Key	3, Nickel-silver	
Handle design	NU, KU, TU, DU, etc. (refer to P.16~18)	
Model	HL, HLT-3, 5, 6, 7	HLP-3, 5, 6, 7, HLTP-7

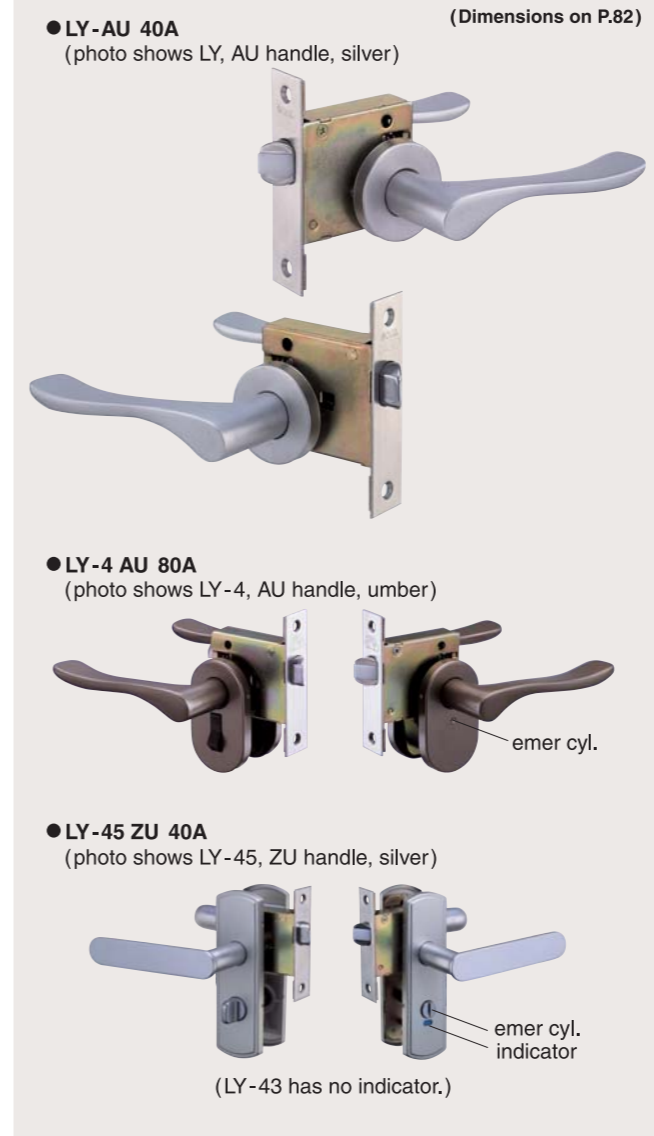
note1: More than above-stated door thickness is available by special spec.
2: When ordering or specifying V18 cylinder, add "V" to model number e.g. V-HLT-5NU.

Hand of HLP, HLTP



LY Lever handle latch and privacy lock LY, LY-4, 45

Applications Room doors, Child room, Privacy room, etc.



Easy to use, well designed lever handles, ideal for room doors and privacy room.

Features

- Smooth and easy operation.
- Wide variety of well designed lever handles. (refer to P.16~18)
- No looseness in lever handle.
- High durability.
- Superbly designed rose and escutcheon with screw posts facilitates installation, no need for fine adjusting.
- Simple and easy to install lever handle assembly and compact body.

Specifications

Model	LY	LY-4	LY-43, 45
Backset	32mm	51, 64mm	51, 64mm
Door thickness (note)	27-33·33-43·43-53mm	28-33·33-38·38-43mm	—
Rose	—	R4U	—
Escutcheon (refer to P.21)	K1U	U1U, U5U, etc. (refer to P.19)	K2U
Handle design	AU, BU, COMU, DU, EU, etc. (refer to P.16~18)		

note: More than above-stated door thickness is available by special spec.

LW Lever handle latch and privacy lock LW-1, LW-4, 45

Applications Room doors, Child room, Privacy room, etc.



Easy to use, well designed lever handles, ideal for room doors and privacy room.

Features

- Smooth and easy operation.
- Wide variety of well designed lever handles. (refer to P.16~18)
- No looseness in lever handle.
- High durability.
- Superbly designed rose and escutcheon with screw posts facilitates installation, no need for fine adjusting.
- Simple and easy to install lever handle assembly and compact body.

Specifications

Model	LW-1, 4, 45
Backset	51mm
Door thickness (note)	28-33·33-38·38-43mm
Handle design	ROA, WIN (refer to P.16~18)

note: More than above-stated door thickness is available by special spec.

Knob Knob designs and finishes (Mortise lock, Integral lock, Cylindrical lock)

Information

Pin cylinder, Keying system, Function No., To order, etc.

Locks

Push-pull handle lock
Handle designs
PXK, PX, PZK, PZ, PLK, PL, PVKU, PY, PYS

Lever handle lock
Handle designs
AHL, AHL, LGK, LG, LX, LH, HL, LY, LW

Mortise lock
Knob designs
AH, AHP, AS, HS

Integral lock
UC, G

Cylindrical lock
UH, US

Dead lock
LDK, LD, HD, 1502/1503, AHD, AD, GK, GG, HN, ANT

Rim dead lock
MH, MD, MDU
Cremon bolt
CMM

Glass door lock
2510, HDT, CG, AG, BGU

Sliding door lock
SX, PSS, SAK, SN, TSD, AD(B/S600)

Cup handle lock
AHC, ASC, HSTC, UCC, GC

Emergency lock
AHLH, AHH, HSTH, HDH, AHDH

Electric lock & Security system

RF key Remo. con. key Ten key pad
KRS, KRC, BTKLX, TKS

Hotel card lock
JCLM, JCL

Electric lock
PXE, PZE, EZS, EXS, EXM, EU, ES, EL, EM, EV, SXE, CMT, CMR, ME

Electric conductor, Control box, Key switch, etc.
RCL, RCB, RSP, KS, ACT

Dimensions

Mortise lock AH, AS, HS, EU, EL series. (EU, ES series are electric lock.)



⚠ Caution: Harden wood knob is not be used in the out door.
note1: Y, K type knobs are available bright stainless (12) and harden wood knob.
note2: ORB type knob is available dull stainless (11) finish.

Integral lock UC, G series and Cylindrical lock UH, US series furnished with 6 pin or 7 pin cylinder.



Integral lock UC, G series and Cylindrical lock US series furnished with 5 pin cylinder.



Knob designs and finishes (note: Dull stainless steel finish [11] is standard finish. ※ indicate special spec. So these items require inquiry to order.)

Series	design	finish symbol	finish					harden wood S2 (11) rose	rose (standard)	※rose (special spec.)	cylinder [symbol]
			dull stainless (standard)	bright stainless	dull brass	bright brass	antique brass				
Mortise lock AH, AS, HS Electric lock EU, ES	Q	Q11	※Q12	—	—	—	—	—	—	6pin cyl. [P] (standard) 7pin cyl. [Z] V18 cyl. [V] GV cyl. [GV]	
	K, Y	K11, Y11	—	—	—	—	—	—	—	—	
	B	B11	※B12	※B21	※B22	—	—	—	—	—	
	ORB	ORB11	ORB12	—	—	—	—	—	—	—	
	Q	Q11	※Q12	—	—	—	—	—	—	—	
	K	K11	—	—	—	—	—	—	—	—	
Integral lock UC, G	Y	Y11	—	—	—	—	—	—	—	—	
	B	B11	※B12	—	※B22	—	—	—	—	—	
	E	E11	—	—	—	—	—	—	—	—	
	CAP	—	—	—	—	CAP71	—	—	—	5pin cyl. [N]	
Cylindrical lock UH, US	Q	Q11	※Q12	—	—	—	—	—	—	6pin cyl. [P] (standard) 7pin cyl. [Z] V18 cyl. [V] (available only for Q11, B11 knob)	
	K	K11	—	—	—	—	—	—	—	—	
	Y	Y11	—	—	—	—	—	—	—	—	
	B	B11	※B12	※B21	※B22	—	—	—	—	—	
	E	E11	—	※E21	※E22	—	—	—	—	—	
	CAP	—	—	—	—	CAP71	—	—	—	5pin cyl. [N] (US series only)	

AH AHP Mortise lock AH series Anti-panic lock AHP series

Information

Pin cylinder, Keying system, Function No., To order, etc.

Locks

Push-pull handle lock
Handle designs
PXK, PX, PZK, PZ, PLK, PL, PVKU, PY, PYS

Lever handle lock
Handle designs
AHL, AHL, LGK, LG, LX, LH, HL, LY, LW

Mortise lock
Knob designs
AH, AHP, AS, HS

Integral lock
UC, G

Cylindrical lock
UH, US

Dead lock
LDK, LD, HD, 1502/1503, AHD, AD, GK, GG, HN, ANT

Rim dead lock
MH, MD, MDU
Cremon bolt
CMM

Glass door lock
2510, HDT, CG, AG, BGU

Sliding door lock
SX, PSS, SAK, SN, TSD, AD(B/S600)

Cup handle lock
AHC, ASC, HSTC, UCC, GC

Emergency lock
AHLH, AHH, HSTH, HDH, AHDH

Electric lock & Security system

RF key Remo. con. key Ten key pad
KRS, KRC, BTKLX, TKS

Hotel card lock
JCLM, JCL

Electric lock
PXE, PZE, EZS, EXS, EXM, EU, ES, EL, EM, EV, SXE, CMT, CMR, ME

Electric conductor, Control box, Key switch, etc.
RCL, RCB, RSP, KS, ACT

Dimensions

Applications Entrance, Office, Storeroom, Hotel, etc.



Special heavy duty mortise lock excelling in security, durability and operation. AHP has anti-panic device on AH.

Features

AH series

- Unparalleled for security and durability.
- Smooth and easy operation.
- With anti-friction latchbolt featuring easily changed hand.
- With expansion brace.
- Office lock AH-85 is available. Can be locked automatically by closing door with turning inside button in the knob.
- Hotel lock AH-9 is available. (refer to P.21)

AHP series

- Deadbolt is retracted together with latchbolt by turning inside knob in locked state. (Anti-panic device.)
- Excelling in security, durability and operation. (※ Other features are same as AH.)

Specifications (AH, AHP)

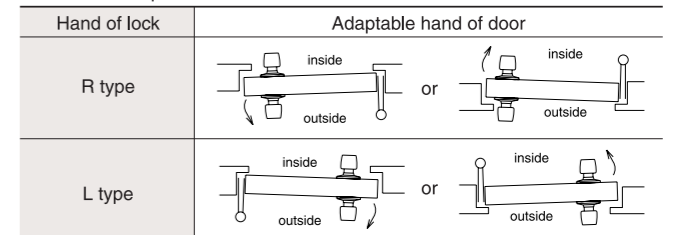
Series	AH	AHP
Backset	76mm, 100mm	
Door thickness (note1)	35~50mm (AH-9...36~38· 38~43· 43~48· 48~53mm)	33~38· 38~43· 43~48· 48~53mm
Gap (door and jamb)	under 6mm (AH-68, 8, 85, 9)	
Hand		R, L (refer to under table)
Cylinder [symbol] (note2)	6pin[P] (standard), 7pin[Z], V18[V], GV[GV]	
Key	3, Nickel-silver	
Keying system	MK, GMK, GGMK, CNK, etc. available. (ref. P.6~7) (V18, GV...Key change system is available, refer to P.8.) (GV...Universal key system (UKS 2) is not available.)	
Knob design	Q, Y, K, B type (refer to P.26)	
Rose	S2 (standard)	
Escutcheon	S1 (special spec.) (AH-5, 6, AHP-5)	
Model	refer to right table	

note1: More than above-stated door thickness is available by special spec.
2: [] indicates symbol of cylinder. When ordering or specifying V18 cylinder, add "V" to model number e.g. V-AH-5Q.

AH, AHP series Model

Model	Classification	Illustration	
		inside	outside
AH-1*	Passage Latch		
AH-3*	Patio Lock		
(note2) AH-AHP-5*	Entrance Lock		
AH-6*	Entrance & Communicating Lock		
AH-68*	Storeroom Lock		
AH-AHP-7*	Storeroom Lock		
AH-8*	Storeroom Lock		
AH-85*	Office lock		
AH-9* (refer to P.21)	Hotel Lock (Anti-panic device is furnished)		

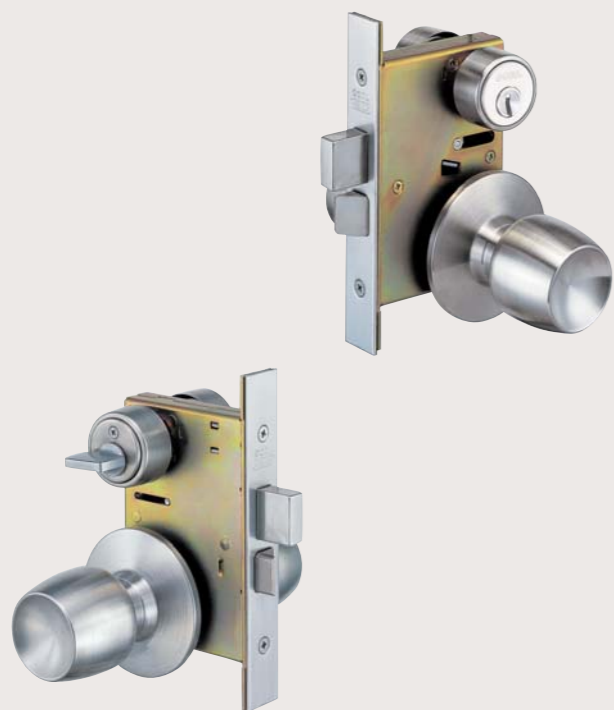
Hand of anti-panic lock AHP



AS Mortise lock AS series

Applications Entrance, Office, Storeroom, Conference room, etc.

● **V-AS-5Q**
(photo shows AS-5 with V18 cyl., Q type knob)
(Dimensions on P.84)



Mortise lock excelling in security, durability, operation and economy.

Features

- Excelling in security and durability.
- Smooth and easy operation.
- Easy to install for compact lock case.

Specifications (AS, HS, HST, HSP, HSTP)

Series	AS	HS, HST	HSP, HSTP
Backset	64, 76mm	76mm	76mm
Door thickness (note1)	29~33·33~43·43~53mm	29~33·33~38·38~43·43~48·48~53mm	
Gap (door and jamb)	not more than 6mm		
Hand	R, L (refer to P.27)		
Cylinder [symbol] (note2)	6pin[P](standard), 7pin[Z], V18[V], GV[GV]		
Keying system	MK,GMK,GGMK,CNK,etc.available.(ref. P.6~7) (V18,GV...Key change system is available, refer to P.8.) (GV...Universal key system(UKS 2) is available, refer to P.9.)		
Key	3, Nickel-silver		
Handle design	Q, Y, K, B, ORB (refer to P.26)		
Model	AS-1, 3, 4, 45, 5, 6, 7 HS, HST, HSP-3, 5, 6, 7 HSTP-7		

note1: More than above-stated door thickness is available by special spec.
2: When ordering or specifying V18 cylinder, add "V" to model number e.g. V-HST-5Q.

HS, HSP, HST, HSTP Mortise lock HS, HSP, HST, HSTP series

Applications Entrance, Office, Service entrance, etc.

● **V-HS, HST-5Q**
● **V-HSP-5Q (R)**
(photo shows HST-5 with V18 cyl., Q type knob)
(Dimensions on P.84)



(note : Appearance are same as all series. But HSP, HSTP have distinction of hand R or L.)

Mortise lock with automatically locking function.

Features

- Can be locked or unlocked with key or thumbturn.
- Can be locked automatically when closing door by turning thumbturn or key to locked position.
- In locked state, both side knobs are not operable.

HS series

- Can be locked automatically when closing door.
- In locked state, both side knobs are not operable.
- Can be unlocked with key or thumbturn.

HST series (automatically locking lock)

- Can be locked or unlocked with key or thumbturn.
- Can be locked automatically when closing door by turning thumbturn or key to locked position.
- In locked state, outdoor knobs is not operable. But inside handle is always operative. So can be unlocked and open the door by operating inside knob.

HSP series (anti-panic Classroom function lock)

- Can be locked or unlocked with key or thumbturn.
- Can be locked automatically when closing door.
- In locked state, outdoor knob is not operable. But inside knob is always operable. So can be unlocked and open the door by operating inside knob.
- Can be unlocked with key.
- Model is HSTP-7 only.

UC Integral lock UC series

Applications Office, Conference room, Reception room, etc.

● **P-UC-5Q**
(photo shows UC-5 with 6pin cyl., Q type knob)
(Dimensions on P.85)



Integral lock offering excellent security, durability and operation.

Features

- Significant improvement in security.
- High durability.
- Smooth and easy operation.
- No looseness in knob.

Specifications (UC, G series)

Series	UC	G
Backset	57, 64, 83, 100mm	64, 100mm
Door thickness (note1)	25~33·33~43·43~53mm	
Knob design and cylinder [symbol]	Q, Y, K, B...6pin[P](standard), 7 pin cyl. [Z] Q11, B11...V18[V], GV[GV]cyl. are available (note2) CAP, E...5pin cyl. [N]	
Keying system	MK,GMK,GGMK,CNK,etc.available.(ref. P.6~7) (V18,GV...Key change system is available, refer to P.8.) (GV...Universal key system(UKS 2) is not available.)	
Key	3, Nickel-silver	
Model	UC, G-1, 3, 45, 5, 6, 7	

note1: More than above-stated door thickness is available by special spec.
2: [Z] indicate symbol of cylinder. When ordering or specifying V18 cylinder, add "V" to model number e.g. V-UC-5Q.

G Integral lock G series

Applications Office, Conference room, Reception room, etc.

● **P-G-5Q**
(photo shows G-5 with 6pin cyl., Q type knob)
(Dimensions on P.85)



Extremely compact integral lock, ideal for the center rail of aluminum door.

Features

- Extremely compact body.
- Smooth and easy operation.
- High durability.
- Double lock mechanism for effective security.
- No looseness in knob.

UC, G series Model

Model	Classification	Illustration			
		UC		G	
UC-G-1*	Passage Latch	inside	outside	inside	outside
UC-G-3*	Patio Lock	inside	outside	inside	outside
UC-G-45*	Privacy Lock	emer cyl.	indicator	emer cyl.	indicator
UC-G-5*	Entrance Lock	inside	outside	inside	outside
UC-G-6*	Entrance & communicating Lock	inside	outside	inside	outside
UC-G-7*	Storeroom Lock	inside	outside	inside	outside

UH Heavy duty cylindrical lock UH series

Information

Pin cylinder, Keying system, Function No., To order, etc.

Locks

Push-pull handle lock
Handle designs
PXK, PX, PZK, PZ, PLK, PL, PVKU, PY, PYS

Lever handle lock
Handle designs
AHL, AHL, LGK, LG, LX, LH, HL, LY, LW

Mortise lock
Knob designs
AH, AHP, AS, HS

Integral lock
UC, G
Cylindrical lock
UH, US

Dead lock
LDK, LD, HD, 1502/1503, AHD, AD, GK, GG, HN, ANT

Rim dead lock
MH, MD, MDU
Cremon bolt
CMM

Glass door lock
2510, HDT, CG, AG, BGU

Sliding door lock
SK, PSS, SAK, SNI, TSD, AD(B/S600)

Cup handle lock
AHC, ASC, HSTC, UCC, GC

Emergency lock
AHLH, AHH, HSTH, HDH, AHDH

Electric lock & Security system

RF key Remo. con. key Ten key pad
KRS, KRC, BTKLX, TKS

Hotel card lock
JCLM, JCL

Electric lock
PXE, PZE, EZS, EXS, EXM, EU, ES, EL, EM, EV, SXE, CMT, CMR, ME

Electric conductor, Control box, Key switch, etc.
RCL, RCB, RSP, KS, ACT

Dimensions

Applications Office, Conference room, Reception room, Hotel guest room, etc.



Heavy duty cylindrical lock offering maximum security and durability.

Features

- Listed by Underwriters' Laboratories Inc. -- evidence of its fireproof function, security and durability.
- Wide range of applications.
- Smooth and easy operation.
- Automatically locking for convenience.
- Easy installation.

Specifications

Backset	60, 70, 89, 127mm
Door thickness (note1)	34~50mm (standard), 50~60mm (special)
Gap (door and jamb)	under 6mm
Cylinder [symbol] (note2)	6pin[P] (standard), 7pin[Z]
Keying system	MK, GMK, GGMK, CNK, etc. available (ref. P.6~7)
Key	3, Nickel-silver
Latch bolt	14mm throw
Knob	Q, Y, K, B type
Model	UH-1, 3, 4, 5, 51, 6, 7, 8, 9

note1: More than above-stated door thickness is available by special spec.
2: □ indicates symbol of cylinder. When ordering or specifying 6 pin cylinder, add "P" to model number e.g. P-UH-5Q.

UH series Model

Model	Classification	Illustration
UH-1*	Passage Latch	
UH-3*	Patio Lock	
UH-4*	Privacy Lock	
□-UH-5*	Entrance Lock	
□-UH-51*	Entrance Lock	

Model	Classification	Illustration
□-UH-6*	Entrance & Communicating Lock	
□-UH-7*	Classroom Lock	
□-UH-8*	Storeroom Lock	
□-UH-9*	Hotel Lock	

US Standard duty cylindrical lock US series

Information

Pin cylinder, Keying system, Function No., To order, etc.

Locks

Push-pull handle lock
Handle designs
PXK, PX, PZK, PZ, PLK, PL, PVKU, PY, PYS

Lever handle lock
Handle designs
AHL, AHL, LGK, LG, LX, LH, HL, LY, LW

Mortise lock
Knob designs
AH, AHP, AS, HS

Integral lock
UC, G
Cylindrical lock
UH, US

Dead lock
LDK, LD, HD, 1502/1503, AHD, AD, GK, GG, HN, ANT

Rim dead lock
MH, MD, MDU
Cremon bolt
CMM

Glass door lock
2510, HDT, CG, AG, BGU

Sliding door lock
SK, PSS, SAK, SNI, TSD, AD(B/S600)

Cup handle lock
AHC, ASC, HSTC, UCC, GC

Emergency lock
AHLH, AHH, HSTH, HDH, AHDH

Electric lock & Security system

RF key Remo. con. key Ten key pad
KRS, KRC, BTKLX, TKS

Hotel card lock
JCLM, JCL

Electric lock
PXE, PZE, EZS, EXS, EXM, EU, ES, EL, EM, EV, SXE, CMT, CMR, ME

Electric conductor, Control box, Key switch, etc.
RCL, RCB, RSP, KS, ACT

Dimensions

Applications Office, Conference room, etc.



Standard duty cylindrical lock--excelling in security, easy operation, high durability.

Features

- Listed by Underwriters' Laboratories Inc. -- evidence of its fireproof function, security and durability. (UL approval requires 12.7mm (1/2") latchbolt throw)
- Wide range of applications.
- Smooth and easy operation.
- Automatically locking for convenience.
- Easy installation.

Specifications

Backset	50, 57, 60, 64, 70, 89, 127mm
Door thickness (note1)	25~30·30~45·45~60mm
Gap (door and jamb)	under 6mm
Knob	Q, Y, K, B type E type
Cylinder [symbol] (note2)	6 pin [P] (standard), 7pin [Z] 5 pin [N]
Keying system	MK, GMK, GGMK, CNK, etc. available. (ref. P.6~7)
Key	3, Nickel-silver

note1: More than above-stated door thickness is available by special spec.
2: When ordering or specifying 6 pin cylinder, add "P" to model number e.g. P-US-5Q.

US series Model

Model	Knob Design	Cylinder	Classification	Illustration
US-1*	Q, Y, K, B	—	Passage Latch	
US-15*	Q, Y, K, B	—	Closet Latch	
US-3*	Q, Y, K, B	—	Patio Lock	
US-4*	Q, Y, K, B	(emer cyl.)	Privacy Lock	
□-US-51*	Q, Y, K, B	6 pin	Entrance Lock	
	E, F	5 pin		
□-US-5*	Q, Y, K, B	6 pin	Entrance Lock	
	E, F	5 pin		
□-US-6*	Q, Y, K, B	6 pin	Entrance & Communicating Lock	
	E, F	5 pin		
□-US-68*	E, F	5 pin	Entrance & Communicating Lock	
□-US-7*	Q, Y, K, B	6 pin	Classroom Lock	
	E, F	5 pin		
□-US-71*	Q, Y, K, B	6 pin	Utility Closet Lock	
	E, F	5 pin		
□-US-8*	Q, Y, K, B	6 pin	Storeroom Lock	
	E, F	5 pin		

LDK LD Mortise dead lock LDK, LD series

Applications Entrance, Office, Inspection doors, etc.



Mortise dead lock, excelling in security and durability.

- Features**
- Excelling in security and durability.
 - LDK is more effective for security by hooked deadbolt. (LD has normal dead bolt.)
 - Easy and smooth operation.
 - Ideal for auxiliary lock of entrance door.

Specifications (LDK, LD, HD)

Series	LDK	LD	HD
Deadbolt	hooked deadbolt	normal deadbolt	
Backset	64, 76mm	64, 76mm	38, 51, 64, 76mm
Door thickness (note1)	29~43 · 43~53mm		
Cylinder [symbol] (note2)	6pin[P](standard), 7pin[Z], V18[V], GV[GV]		
Keying system	MK,GMK,GGMK,CNK,etc.available.(ref. P.6~7) (V18,GV...Key change system is available, refer to P.8.) (GV...Universal key system(UKS 2) is available, refer to P.9.)		
Key	3, Nickel-silver		
Finish [symbol]	dull stainless [11] (standard) bright stainless [12] alumite gold [23]	coating silver [364] coating umber [80] coating gold [269]	
Model	LDK-3, 5, 6, 7	LD, HD-3, 4, 45, 5, 6, 7	

note1: More than above-stated door thickness is available by special spec.
2: [Symbol] indicates symbol of cylinder. When ordering or specifying V18 cylinder, add "V" to model number e.g. V-LDK-5.

HD Mortise dead lock HD series

Applications Entrance, Office, Inspection doors, etc.



Mortise dead lock with wide range of backset, excelling in security and durability.

- Features**
- Excelling in security and durability.
 - Various backsets are available. (Backset 38mm, 51mm, 64mm, 76mm)
 - Compact lock body. (Backset 38mm, 51mm)
 - Easy and smooth operation.
 - Ideal for auxiliary lock of entrance door.

LDK, LD, HD series Model

Model	Classification	Illustration			
		LDK		LD, HD	
LDK LD -3 HD	Patio Lock	inside	outside	inside	outside
LD, HD-4 (no indicator) LD, HD-45 (with indicator)	Privacy Lock	—		indicator	emer. cyl.
(note2) LDK - LD -5 HD	Entrance Lock	inside	outside	inside	outside
LDK - LD -6 HD	Entrance & communicating Lock	inside	outside	inside	outside
LDK - LD -7 HD	Storeroom Lock	inside	outside	inside	outside

1502 1503 Mortise dead lock 1502, 1503 series

Applications Entrance, Office, Inspection doors, etc.



Extremely compact mortise dead lock, ideal for narrow lock-stiles of door.

- Features**
- Extremely compact body. (Backset is 25mm and 32mm)
 - Ideal for narrow lock-stiles of door.
 - Excelling in security and durability.
 - Smooth and easy operation.

Specifications (1502 · 1503, AHD)

Series	1502	1503	AHD
Backset	25mm	32mm	76, 100mm
Door thickness (note1)	28-38 · 38-48 · 48-58mm		
Cylinder [symbol] (note2)	6pin[P](standard), 7pin[Z], V18[V], GV[GV]		
Keying system	MK,GMK,GGMK,CNK,etc.available.(ref. P.6~7) (V18,GV...Key change system is available, refer to P.8.) (GV...Universal key system(UKS 2) is not available.)		
Key	3, Nickel-silver		
Finish [symbol]	dull stainless [11] (standard) bright stainless [12] alumite gold [23]	coating silver [364] coating umber [80] coating gold [269]	
Model	1502 · 1503-3, 5, 6, 7		AHD-3, 5, 6, 7

note1: More than above-stated door thickness is available by special spec.
2: [Symbol] indicates symbol of cylinder. When ordering or specifying V18 cylinder, add "V" to model number e.g. V-AHD-5.

AHD Mortise dead lock AHD series

Applications Entrance, Office, Storeroom, etc.



Special heavy duty mortise dead lock, excelling in security and durability.

- Features**
- Unparalleled for security and durability.
 - Smooth and easy operation.
 - With expansion brace.

1502, 1503, AHD series Model

Model	Classification	Illustration			
		1502, 1503		AHD	
1502 1503 -3 AHD	Patio Lock	inside	outside	inside	outside
(note2) 1502 - 1503 -5 AHD	Entrance Lock	inside	outside	inside	outside
1502 - 1503 -6 AHD	Entrance & communicating Lock	inside	outside	inside	outside
1502 - 1503 -7 AHD	Storeroom Lock	inside	outside	inside	outside

Information

Pin cylinder, Keying system, Function No. To order, etc.

Locks

Push-pull handle lock
Handle designs
PXK, PX, PZK, PZ, PLK, PL, PVKU, PY, PYS

Lever handle lock
Handle designs
AHL, AHL, LGK, LG, LX, LH, HL, LY, LW

Mortise lock
Knob designs
AH, AHP, AS, HS

Integral lock
UC, G

Cylindrical lock
UH, US

Dead lock
LDK, LD, HD, 1502/1503, AHD, AD, GK, GG, HN, ANT

Rim dead lock
MH, MD, MDU

Cremon bolt
CMM

Glass door lock
2510, HDT, CG, AG, BGU

Sliding door lock
SX, PSS, SAK, SN, TSD, AD(B/S600)

Cup handle lock
AHC, ASC, HSTC, UCC, GC

Emergency lock
AHLH, AHH, HSTH, HDH, AHDH

Electric lock & Security system

RF key Remo. con. key Ten key pad
KRS, KRC, BTKLX, TRS

Hotel card lock
JCLM, JCL

Electric lock
PXE, PZE, EZS, EXS, EXM, EU, ES, EL, EM, EV, SXE, CMT, CMR, ME

Electric conductor, Control box, Key switch, etc.
RCL, RCB, RSP, KS, ACT

Dimensions

Information

Pin cylinder, Keying system, Function No. To order, etc.

Locks

Push-pull handle lock
Handle designs
PXK, PX, PZK, PZ, PLK, PL, PVKU, PY, PYS

Lever handle lock
Handle designs
AHL, AHL, LGK, LG, LX, LH, HL, LY, LW

Mortise lock
Knob designs
AH, AHP, AS, HS

Integral lock
UC, G

Cylindrical lock
UH, US

Dead lock
LDK, LD, HD, 1502/1503, AHD, AD, GK, GG, HN, ANT

Rim dead lock
MH, MD, MDU

Cremon bolt
CMM

Glass door lock
2510, HDT, CG, AG, BGU

Sliding door lock
SX, PSS, SAK, SN, TSD, AD(B/S600)

Cup handle lock
AHC, ASC, HSTC, UCC, GC

Emergency lock
AHLH, AHH, HSTH, HDH, AHDH

Electric lock & Security system

RF key Remo. con. key Ten key pad
KRS, KRC, BTKLX, TRS

Hotel card lock
JCLM, JCL

Electric lock
PXE, PZE, EZS, EXS, EXM, EU, ES, EL, EM, EV, SXE, CMT, CMR, ME

Electric conductor, Control box, Key switch, etc.
RCL, RCB, RSP, KS, ACT

Dimensions

AD Tubular dead lock AD series

Applications Entrance, Office, Inspection doors, etc.

● **V-AD-5** (Dimensions on P.89)
(photo shows AD-5 with V18 cyl.)



Compact, tubular dead lock, easy to install.

Features

- Extremely compact lock body.
- Easy installation for compact body.
- Smooth and easy operation.

Specifications

Backset	50, 60, 64, 70, 600mm
Door thickness (note1)	AD-330~45mm
	P, Z-AD-5, 730~45·45~55mm
	P, Z-AD-637~47·47~57mm
	V, GV-AD-5, 730~43·43~53mm
Cylinder [symbol] (note2)	V, GV-AD-630~40·40~50mm
	6pin[P](standard), 7pin[Z], V18[V], GV[GV]
Keying system	MK,GMK,GGMK,CNK,etc.available.(ref. P.6~7) (V18,GV...Key change system is available, refer to P.8.) (GV...Universal key system (UKS 2) is not available.)
Key	3, Nickel-silver
Model	AD-3, 5, 6, 7

note1: More than above-stated door thickness is available by special spec.
2: When ordering or specifying V18 cylinder, add "V" to model number e.g. V-AD-5.

GK GG Guard lock GK, GG series

Applications Main entrance of residence, etc. as auxiliary lock.

● **V-GK-5** (Dimensions on P.93~94)
(photo shows GK-5 with V18 cyl.)



Mortise dead lock with door-guard function (PAT.)

Features

- Dead lock with door-guard function.
 - door-guard by first operation
 - dead lock by second operation
- Door-guard can be operated by thumbturn from inside and by key from outside.
- GK has guard-arm on the front of lock case.
- GG has guard-arm on the strike.

Specifications

	GK	GG
Backset	51, 64mm	51, 64mm
Door thickness (note1)	P, Z-GK-5...36~46·46~56mm V,GV-GK-5...33~43·43~53mm	P, Z, V, GV-GG-5... ...33~43·43~53mm
Gap (door and jamb)	4.5~9mm	under 6mm
Hand of Strike	R type, L type	
Cylinder [symbol] (note2)	6pin[P](standard), 7pin[Z], V18[V], GV[GV]	
Keying system	MK,GMK,GGMK,CNK,etc.available.(ref. P.6~7) (V18,GV...Key change system is available, refer to P.8.) (GV...Universal key system (UKS 2) is not available.)	
Key	3, Nickel-silver	
Model	GK-5	GG-5

note1: More than above-stated door thickness is available by special spec.
2: When ordering or specifying V18 cylinder, add "V" to model number e.g. V-GK-5.

HN Mortise night-latch lock HN series

Applications Common entrances for apartments and condominiums, etc.

● **V-HNS, HNL, HNB, HNT-5** (Dimensions on P.90)
(photo shows HNS-5 with V18 cyl.)



Mortise night-latch lock with automatically locking function.

Features

- Locked automatically by closing door.
- Can be unlocked with key or thumbturn.
- Extremely compact, ideal for narrow lock stile of door.

- **HNT** (Holding unlocked state function is not furnished.)
- **HNL** (Holding function in unlocked state is furnished. When open the door holding function is released.)
- **HNB** (Holding function is same as HNL. But holding function is not released until project the latchbolt by turning key or thumbturn.)
- **HNS** (Holding function is controlled by turning the button (coin plug) on front plate of lock. And holding function is not released until return the button.)

Specifications

	HNT, HNL, HNB, HNS
Backset	34, 51mm
Door thickness (note1)	29~33·33~43·43~53mm
Gap (door and jamb)	not more than 6mm
Cylinder [symbol] (note2)	6pin[P](standard), 7pin[Z], V18[V], GV[GV]
Keying system	MK,GMK,GGMK,CNK,etc.available.(ref. P.6~7) (V18,GV...Key change system is available, refer to P.8.) (GV...Universal key system (UKS 2) is available, refer to P.9.)
Key	3, Nickel-silver
Model	HNS, HNL, HNB, HNT-3, 5, 6, 7

note1: More than above-stated door thickness is available by special spec.
2: When ordering or specifying V18 cylinder, add "V" to model number e.g. V-HNL-5.

ANT Tubular night-latch lock ANT series

Applications Common entrances for apartments and condominiums, etc.

● **V-ANT-5** (Dimensions on P.90)
(photo shows ANT-5 with V18 cyl.)



Tubular night-latch lock with automatically locking function.

Features

- Locked automatically by closing door.
- Can be unlocked with key or thumbturn.
- Easy installation.

Specifications

	70mm
Door thickness (note1)	ANT-335~45mm
	P, Z-ANT-535~45·45~55mm
	P, Z-ANT-637~47·47~57mm
	P, Z-ANT-735~55mm
Cylinder [symbol] (note2)	V, GV-ANT-5, 735~45mm
	V, GV-ANT-637~47mm
Gap (door and jamb)	not more than 6mm
Keying system	MK,GMK,GGMK,CNK,etc.available.(ref. P.6~7) (V18,GV...Key change system is not available.) (GV...Universal key system (UKS 2) is not available.)
Key	3, Nickel-silver
Model	ANT-3, 5, 6, 7

note1: More than above-stated door thickness is available by special spec.
2: When ordering or specifying V18 cylinder, add "V" to model number e.g. V-ANT-5.

MH Rim dead lock

Information

Pin cylinder, Keying system, Function No. To order, etc.

Locks

Push-pull handle lock
Handle designs
PXK, PX, PZK, PZ, PLK, PL, PVKU, PY, PYS

Lever handle lock
Handle designs
AHL, AHL, LGK, LG, LX, LH, HL, LY, LW

Mortise lock
Knob designs
AH, AHP, AS, HS

Integral lock
UC, G
Cylindrical lock
UH, US

Dead lock
LDK, LD, HD, 1502/1503, AHD, AD, GK, GG, HN, ANT

Rim dead lock
MH, MD, MDU
Cremon bolt
CMM

Glass door lock
2510, HDT, CG, AG, BGU

Sliding door lock
SX, PSS, SAK, SN, TSD, AD(B/S600)

Cup handle lock
AHC, ASC, HSTC, UCC, GC

Emergency lock
AHLH, AHH, HSTH, HDH, AHDH

Electric lock & Security system

RF key Remo. con. key Ten key pad
KRS, KRC, BTCLX, TKS

Hotel card lock
JCLM, JCL

Electric lock
PXE, PZE, EZS, EXS, EXM, EU, ES, EL, EM, EV, SXE, CMT, CMR, ME

Electric conductor, Control box, Key switch, etc.
RCL, RCB, RSP, KS, ACT

Dimensions

Applications Auxiliary lock

(Dimensions on P.91)

● V-MH-5

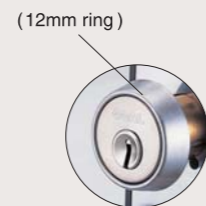


MDU Rim dead lock

Applications Auxiliary lock

(Dimensions on P.92)

● V-MDU-5



● S-MD-5



CMM Cremon bolt lock CMM series

Applications Sound-proof door, Air-tight door, Emergency exit door, Heavy weight door, etc.

(Dimensions on P.95)

● CMMW
(Strike for double swinging door)



● Cover of thumbturn for emergency



● CMM AL
(Detachable handle)

detach the handle



attach the handle



● V-CMM-5
(photo shows CMM-5 with V18 cyl.)



Information

Pin cylinder, Keying system, Function No. To order, etc.

Locks

Push-pull handle lock
Handle designs
PXK, PX, PZK, PZ, PLK, PL, PVKU, PY, PYS

Lever handle lock
Handle designs
AHL, AHL, LGK, LG, LX, LH, HL, LY, LW

Mortise lock
Knob designs
AH, AHP, AS, HS

Integral lock
UC, G
Cylindrical lock
UH, US

Dead lock
LDK, LD, HD, 1502/1503, AHD, AD, GK, GG, HN, ANT

Rim dead lock
MH, MD, MDU
Cremon bolt
CMM

Glass door lock
2510, HDT, CG, AG, BGU

Sliding door lock
SX, PSS, SAK, SN, TSD, AD(B/S600)

Cup handle lock
AHC, ASC, HSTC, UCC, GC

Emergency lock
AHLH, AHH, HSTH, HDH, AHDH

Electric lock & Security system

RF key Remo. con. key Ten key pad
KRS, KRC, BTCLX, TKS

Hotel card lock
JCLM, JCL

Electric lock
PXE, PZE, EZS, EXS, EXM, EU, ES, EL, EM, EV, SXE, CMT, CMR, ME

Electric conductor, Control box, Key switch, etc.
RCL, RCB, RSP, KS, ACT

Dimensions

Ideal for auxiliary lock.

Features

- Extremely effective for security.
- Easy installation.
- Smooth and easy operation.
- Ideal for auxiliary lock.

Specifications

Door thickness	30~50mm
Cylinder [symbol] (note1)	V18[V](standard), GV[GV]
Keying system	MK,GMK,GGMK,CNK,etc.available.(ref. P.6~7) (V18,GV...Key change system is available, refer to P.8.) (GV...Universal key system(UKS 2)is not available.)
Key	3, Nickel-silver
Finish [symbol]	silver [364], gold [269], black [883], umber [80], (note2)
Model	MH-5

note1: When ordering or specifying V18 cylinder, add "V" to model number e.g. V-MH-5.

2: Umber finish is special specification.

Ideal for auxiliary lock.

Features

- Effective for security.
- Easy installation.
- Smooth and easy operation.
- Ideal for auxiliary lock.

Specifications

Series	MDU	MD
Door thickness (note1)	24~41mm (using 12mm ring) 35~52mm (using mount ring)	23~30·30~40mm
Cylinder [symbol] (note2)	6pin[P](standard), 7pin[Z], V18[V], GV[GV]	SP 5 pin[S]
Keying system	MK,GMK,GGMK,CNK,etc. available.(ref. P.6~7) (V18,GV...Key change system is available, refer to P.8.) (GV...Universal key system(UKS 2)is not available.)	(Keying system is not available)
Key	3, Nickel-silver	3, Brass
Model	MD-3, S-MD-5, P, Z, V, GV-MDU-5	

note1: More than above-stated door thickness is available by using spacer.

2: When ordering or specifying V18 cylinder, add "V" to model number e.g. V-MDU-5.

Lock the door tightly at three points (door edge, top and bottom). Ideal for sound-proof, air-tight or heavy weight door.

Features

- Provides sound-proof and air-tightness.
- Easy operation with big handle.
- Handle cannot be operated without closing the door, so bolt or rod does not project accidentally.
- Lock or unlock with key or thumbturn.
- Easy attachment for top and bottom rod.
- Dummy handle for double leaf door is available.
- ※ Electric cremon bolt lock CMT and CMR are available. (refer to P.64)

Specifications

Backset	64mm
Door thickness (note1)	29~33·33~43·43~53mm
Gap (door and jamb)	under 6mm
Cylinder [symbol] (note2)	6pin[P](standard), 7pin[Z], V18[V], GV[GV]
Keying system	MK,GMK,GGMK,CNK,etc.available.(ref. P.6~7) (V18,GV...Key change system is available, refer to P.8.) (GV...Universal key system(UKS 2)is available, refer to P.9.)
Key	3, Nickel-silver
Model	CMM-1, 3, 5, 6, 7

note1: More than above-stated door thickness is available by special spec.
2: □ indicates symbol of cylinder. When ordering or specifying V18 cylinder, add "V" to model number e.g. V-CMM-5.

CMM series Model

Model	Classification	Illustration
CMM-1	Passage Latch	inside outside
CMM-3	Patio Lock	
□-CMM-5	Entrance Lock	
□-CMM-6	Entrance & Communicating Lock	
□-CMM-7	Storeroom Lock	

2510 Dead lock for glass door 2510 series

Information

Pin cylinder, Keying system, Function No., To order, etc.

Locks

Push-pull handle lock
Handle designs
PXK, PX, PZK, PZ, PLK, PL, PVKU, PY, PYS

Lever handle lock
Handle designs
AHL, AHL, LGK, LG, LX, LH, HL, LY, LW

Mortise lock
Knob designs
AH, AHP, AS, HS

Integral lock
UC, G
Cylindrical lock
UH, US

Dead lock
LDK, LD, HD, 1502/1503, AHD, AD, GK, GG, HN, ANT

Rim dead lock
MH, MD, MDU
Cremon bolt
CMM

Glass door lock
2510, HDT, CG, AG, BGU

Sliding door lock
SK, PSS, SAK, SN, TSD, AD(B/S600)

Cup handle lock
AHC, ASC, HSTC, UCC, GC

Emergency lock
AHLH, AHH, HSTH, HDH, AHDH

Electric lock & Security system

RF key
Remo. con. key
Ten key pad
KRS, KRC, BTKLX, TKS

Hotel card lock
JCLM, JCL

Electric lock
PXE, PZE, EZS, EXS, EXM, EU, ES, EL, EM, EV, SXE, CMT, CMR, ME

Electric conductor, Control box, Key switch, etc.
RCL, RCB, RSP, KS, ACT

Dimensions

Applications Glass door, Sliding door, etc.

● V-2510-6 (Dimensions on P.96)
(photo shows 2510-6 with V18 cyl.)



note: Strike is not furnished, so need to require the strike by option spec.

Mortise dead lock for glass door.

Features

- Mortise dead lock for glass door.
- Excelling in security and durability.
- Install to top and bottom of door.
- Cylinder can be attached or detached without removing the door.
- Also applicable to sliding door.

Specifications

Backset	25mm
Door thickness (note1)	6, 7 pin cyl.25~38·38~48·48~58mm V18, GV cyl.28~38·38~48mm
Cylinder [symbol] (note2)	6pin[P](standard), 7pin[Z], V18[V], GV[GV] MK,GMK,GGMK,CNK,etc.available.(ref. P.6~7) (V18,GV...Key change system is available, refer to P.8.) (GV...Universal key system(UKS 2) is not available.)
Keying system	
Key	3, Nickel-silver
Finish [symbol]	dull stainless [11](standard), bright stainless [12], coating umber [80], bright brass [22B], alumite gold [23A]
Model	2510-3, 5, 6, 7

note1: More than above-stated door thickness is available by special spec.
2: [] indicates symbol of cylinder. When ordering or specifying V18 cylinder, add "V" to model number e.g. V-2510-5.

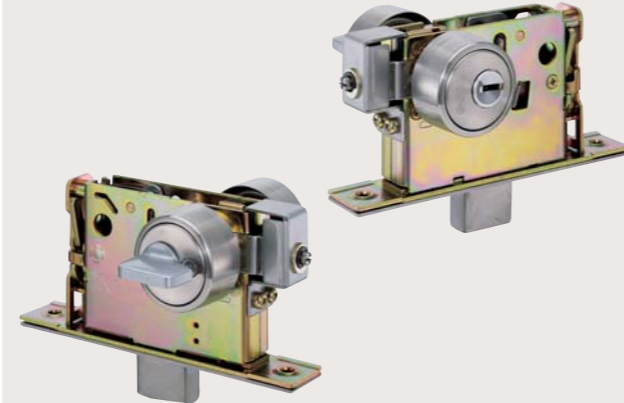
2510, HDT series Model

Model	Classification	Illustration	
		2510	HDT
2510 HDT -3	Patio Lock		
(note2) 2510 HDT -5	Entrance Lock		
2510 HDT -6	Entrance & Communicating Lock		
2510 HDT -7	Store room Lock		

HDT Dead lock for glass door HDT series

Applications Glass door, Sliding door, etc.

● V-HDT-5 (Dimensions on P.96)
(photo shows HDT-5 with V18 cyl.)



note: Strike is not furnished, so need to require the strike by option spec.

Mortise dead lock for glass door.

Features

- Mortise dead lock for glass door.
- Excelling in security and durability.
- Install to top and bottom of door.
- Cylinder can be attached or detached without removing the door.
- Wide variety of backset, 51, 64, 76mm.

Specifications

Backset	51, 64, 76mm
Door thickness (note1)	29~43·43~53mm
Cylinder [symbol] (note2)	6pin[P](standard), 7pin[Z], V18[V], GV[GV] MK,GMK,GGMK,CNK,etc.available.(ref. P.6~7) (V18,GV...Key change system is available, refer to P.8.) (GV...Universal key system(UKS 2) is not available.)
Keying system	
Key	3, Nickel-silver
Finish [symbol]	dull stainless [11](standard), bright stainless [12], coating umber [80], bright brass [22B], alumite gold [23A]
Model	HDT-3, 5, 6, 7

note1: More than above-stated door thickness is available by special spec.
2: [] indicates symbol of cylinder. When ordering or specifying V18 cylinder, add "V" to model number e.g. V-HDT-5.

CG Mortise dead lock for glass door CG series NEW

Applications Glass door, Sliding door, etc.

● V-CG-5 (with bracket) (Dimensions on P.97)
(photo shows CG-5 with V18 cyl.)



● V-CG-5 (without bracket)
(photo shows CG-5 with V18 cyl.)



Mortise dead lock ideal for automatic sliding door.

Features

- Mortise dead lock ideal for auto sliding door.
- Excelling in security and durability.
- Smooth and easy operation.
- Cylinder and thumbturn can be installed or removed without removing the door.

Specifications

Backset	51mm
Door thickness (note1)	35~38·38~45·45~55·55~65·65~75mm
Cylinder [symbol] (note2)	6pin[P](standard), 7pin[Z], V18[V], GV[GV] MK,GMK,GGMK,CNK,etc.available, refer to P.7. (V18,GV...Key change system is not available.) (GV...Universal key system(UKS 2) is not available.)
Keying system	
Key	3, Nickel-silver
Model	CG-3, 5, 6, 7 (with bracket) CG-3, 5, 6, 7 (with no bracket)
Bracket (Height)	No.3(H=25mm), No.1(H=29mm), No.2(H=32mm)

note1: More than above-stated door thickness is available by special spec.
2: When ordering or specifying V18 cylinder, add "V" to model number e.g. V-CG-5.

BGU Mortise dead lock for glass door BGU series

Information

Pin cylinder, Keying system, Function No., To order, etc.

Locks

Push-pull handle lock
Handle designs
PXK, PX, PZK, PZ, PLK, PL, PVKU, PY, PYS

Lever handle lock
Handle designs
AHL, AHL, LGK, LG, LX, LH, HL, LY, LW

Mortise lock
Knob designs
AH, AHP, AS, HS

Integral lock
UC, G
Cylindrical lock
UH, US

Dead lock
LDK, LD, HD, 1502/1503, AHD, AD, GK, GG, HN, ANT

Rim dead lock
MH, MD, MDU
Cremon bolt
CMM

Glass door lock
2510, HDT, CG, AG, BGU

Sliding door lock
SK, PSS, SAK, SN, TSD, AD(B/S600)

Cup handle lock
AHC, ASC, HSTC, UCC, GC

Emergency lock
AHLH, AHH, HSTH, HDH, AHDH

Electric lock & Security system

RF key
Remo. con. key
Ten key pad
KRS, KRC, BTKLX, TKS

Hotel card lock
JCLM, JCL

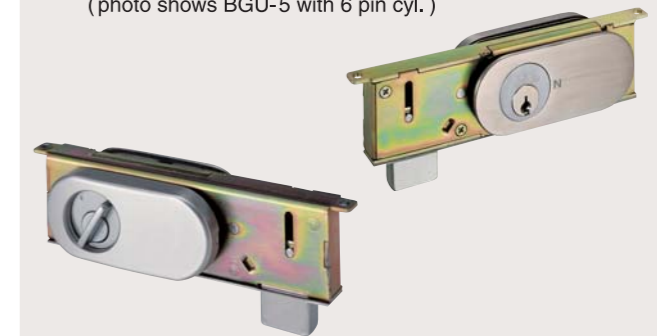
Electric lock
PXE, PZE, EZS, EXS, EXM, EU, ES, EL, EM, EV, SXE, CMT, CMR, ME

Electric conductor, Control box, Key switch, etc.
RCL, RCB, RSP, KS, ACT

Dimensions

Applications Glass door, Sliding door, etc.

● P-BGU-5 (Dimensions on P.98)
(photo shows BGU-5 with 6 pin cyl.)



Mortise dead lock ideal for automatic sliding door.

Specifications

Backset	24mm
Door thickness (note1)	27~32·32~37·37~42·42~47mm
Cylinder [symbol] (note2)	6pin[P](standard), 7pin[Z], V18[V], GV[GV]
Keying system and key	same as CG series (ref. side table)
Model	BGU-3, 5, 6, 7

AG Mortise dead lock for glass door AG series

Applications Glass door, Sliding door, etc.

● P-AG-5 (Dimensions on P.98)
(photo shows AG-5 with 6 pin cyl.)



Mortise dead lock ideal for automatic sliding door.

Specifications

Backset	51mm
Door thickness (note1)	35~39.5·39.5~44mm
Cylinder [symbol] (note2)	6pin[P](standard), 7pin[Z], V18[V], GV[GV]
Keying system and key	same as CG series (ref. side table)
Model	AG-3, 5, 6, 7

note1: More than above-stated door thickness is available by special spec.
2: When ordering or specifying V18 cylinder, add "V" to model number e.g. V-BGU-5, V-AG-5.

SX SXS Sliding door lock SX, SXS(muffled type) series

PSS PSS Sliding door lock PSS series

SAK Automatically locking lock for sliding door SAK series

SN Sliding door lock SN series

Information

Pin cylinder, Keying system, Function No., To order, etc.

Locks

Push-pull handle lock
Handle designs
PXK, PX, PZK, PZ, PLK, PL, PVKU, PY, PYS

Lever handle lock
Handle designs
AHL, AHL, LGK, LG, LX, LH, HL, LY, LW

Mortise lock
Knob designs
AH, AHP, AS, HS

Integral lock
UC, G
Cylindrical lock
UH, US

Dead lock
LDK, LD, HD, 1502/1503, AHD, AD, GK, GG, HN, ANT

Rim dead lock
MH, MD, MDU
Cremon bolt
CMM

Glass door lock
2510, HDT, CG, AG, BGU

Sliding door lock
SX, PSS, SAK, SN, TSD, AD(B/S600)

Cup handle lock
AHC, ASC, HSTC, UCC, GC

Emergency lock
AHLH, AHH, HSTH, HDH, AHDH

Electric lock & Security system

RF key
Remo. con. key
Ten key pad
KRS, KRC, BTKLX, TKS

Hotel card lock
JCLM, JCL

Electric lock
PXE, PZE, EZS, EXS, EXM, EU, ES, EL, EM, EV, SXE, CMT, CMR, ME

Electric conductor, Control box, Key switch, etc.
RCL, RCB, RSP, KS, ACT

Dimensions

Applications Sliding door

- V-SX-5 (ø/s 51mm)
- V-SXS (muffled type)-5 (ø/s 51,76mm) (photo shows SX-5 with V18 cyl.)

(Dimensions on P.99)



Applications Sliding door

- V-PSS-5 (ø/s 38mm) (photo shows PSS-5 with V18 cyl.)

(Dimensions on P.100)



Applications Sliding door

- V-SAK-5 (ø/s 51mm) (photo shows SAK-5 with V18 cyl.)

(Dimensions on P.101)



- ⚠ Caution
1. Need the power over 1.5kgf for closing door and lock.
 2. Should be use the guide to slide door.

Applications Sliding door

- V-SN-5 (ø/s 25mm) (photo shows SN-5 with V18 cyl.)

(Dimensions on P.101)



Information

Pin cylinder, Keying system, Function No., To order, etc.

Locks

Push-pull handle lock
Handle designs
PXK, PX, PZK, PZ, PLK, PL, PVKU, PY, PYS

Lever handle lock
Handle designs
AHL, AHL, LGK, LG, LX, LH, HL, LY, LW

Mortise lock
Knob designs
AH, AHP, AS, HS

Integral lock
UC, G
Cylindrical lock
UH, US

Dead lock
LDK, LD, HD, 1502/1503, AHD, AD, GK, GG, HN, ANT

Rim dead lock
MH, MD, MDU
Cremon bolt
CMM

Glass door lock
2510, HDT, CG, AG, BGU

Sliding door lock
SX, PSS, SAK, SN, TSD, AD(B/S600)

Cup handle lock
AHC, ASC, HSTC, UCC, GC

Emergency lock
AHLH, AHH, HSTH, HDH, AHDH

Electric lock & Security system

RF key
Remo. con. key
Ten key pad
KRS, KRC, BTKLX, TKS

Hotel card lock
JCLM, JCL

Electric lock
PXE, PZE, EZS, EXS, EXM, EU, ES, EL, EM, EV, SXE, CMT, CMR, ME

Electric conductor, Control box, Key switch, etc.
RCL, RCB, RSP, KS, ACT

Dimensions

Hook bolt lock for sliding door excelling in security and durability.

Features (SX, SXS, PSS)

- Strong hook bolt lock for sliding door.
- Excelling in security and durability.
- Smooth and easy operation and trigger bolt is furnished.
- Flush cup type thumbturn can be used.
- Lever type thumbturn (FL thumb.) can also be used, excelling in operation.
- Privacy lock (SX, SXS, PSS-45) with indicator is also available.
- SXS is muffled type.

Specifications (SX, SXS)

Series	SX	SXS (muffled type)
Backset	51mm	51mm, 76mm
Door thickness (note1) (Slightly differ from type of thumbturn.)	SX, SXS-3, 45, 5 (Cup thumb.) 33~53mm SX, SXS-3, 45, 5 (LX thumb.) 29~53mm SX, SXS-3, 45, 5 (FL, FL(No.2) thumb.) 29~53mm SX, SXS-6, 7 29~53mm	
Gap (door and jamb)	not more than 6mm	
Cylinder [symbol] (note2)	6pin[P](standard), 7pin[Z], V18[V], GV[GV]	
Keying system	MK,GMK,GGMK,CNK,etc.available, refer to P.7. (V18,GV...Key change system is available, refer to P.8.) (GV...Universal key system(UKS 2) is available, refer to P.9.)	
Key	3, Nickel-silver	
Finish [symbol]	silver [364], gold [269], umber [80]	
Model	SX, SXS-3, 45, 5, 6, 7	

note1: More than above-stated door thickness is available by special spec.
2: When ordering or specifying V18 cylinder, add "V" to model number e.g. V-SX-5.

Specifications (PSS)

Backset	38mm
Door thickness (note1) (Slightly differ from type of thumbturn.)	PSS-3, 45, 5 (Cup thumb.) 33~53mm PSS-3, 45, 5 (PSD thumb.) 29~58mm PSS-3, 45, 5 (FL thumb.) 29~53mm PSS-6, 7 29~58mm
Gap (door and jamb)	not more than 6mm
Cylinder [symbol] (note2)	6pin[P](standard), 7pin[Z], V18[V], GV[GV]
Keying system	MK,GMK,GGMK,CNK,etc.available, refer to P.7. (V18,GV...Key change system is available, refer to P.8.) (GV...Universal key system(UKS 2) is not available.)
Key	3, Nickel-silver
Model	PSS-3, 45, 5, 6, 7

note1: More than above-stated door thickness is available by special spec.
2: When ordering or specifying V18 cylinder, add "V" to model number e.g. V-PSS-5.

Hook bolt lock for sliding door, furnished with automatically locking function.

Features

- Locked automatically by closing door.
- No rebound the door when closing.
- Can be unlocked with key or thumbturn.
- Always can be unlocked by thumbturn from inside.
- Furnished with trigger bolt for safety.
- Can be adjusted the gap of installing lock or strike.

Specifications

Backset	51mm
Door thickness (note1)	33~43mm
Gap (door and jamb)	under 2.5mm
Cylinder [symbol] (note2)	6pin[P](standard), 7pin[Z], V18[V], GV[GV]
Keying system	MK,GMK,GGMK,CNK,etc.available.(ref. P.6~7) (V18,GV...Key change system is available, refer to P.8.) (GV...Universal key system(UKS 2) is available, refer to P.9.)
Key	3, Nickel-silver
Model	SAK-3, 5, 6, 7

note1: More than above-stated door thickness is available by special spec.
2: When ordering or specifying V18 cylinder, add "V" to model number e.g. V-SAK-5.

Extremely compact lock with hook bolt for sliding door.

Features

- Extremely compact lock body (ø/s 25mm), ideal for narrow lock stiles of door.
- Hook bolt is strong and sturdy cylinder mounting.
- Smooth and easy operation.

Specifications

Backset	25mm
Door thickness (note1)	29~43·43~53mm
Gap (door and jamb)	under 2mm
Cylinder [symbol] (note2)	6pin[P](standard), 7pin[Z], V18[V], GV[GV]
Keying system	MK,GMK,GGMK,CNK,etc.available.(ref. P.6~7) (V18,GV...Key change system is not available.) (GV...Universal key system(UKS 2) is not available.)
Key	3, Nickel-silver
Model	SN-3, 5, 6, 7

note1: More than above-stated door thickness is available by special spec.
2: When ordering or specifying V18 cylinder, add "V" to model number e.g. V-SN-5.

TSD Sliding hung door lock TSD series

AD Sliding hung door lock AD (B/s 600mm) series

AHC, ASC, HSTC Mortise lock with cup handle AHC, ASC, HSTC series

UCC, GC Integral lock with cup handle UCC, GC series

Information

Pin cylinder, Keying system, Function No., To order, etc.

Locks

Push-pull handle lock
Handle designs
PXK, PX, PZK, PZ, PLK, PL, PVKU, PY, PYS

Lever handle lock
Handle designs
AHL, AHL, LGK, LG, LX, LH, HL, LY, LW

Mortise lock
Knob designs
AH, AHP, AS, HS

Integral lock
UC, G

Cylindrical lock
UH, US

Dead lock
LDK, LD, HD, 1502/1503, AHD, AD, GK, GG, HN, ANT

Rim dead lock
MH, MD, MDU

Cremon bolt
CMM

Glass door lock
2510, HDT, CG, AG, BGU

Sliding door lock
SX, PSS, SAK, SN, TSD, AD(B/S600)

Cup handle lock
AHC, ASC, HSTC, UCC, GC

Emergency lock
AHLH, AHH, HSTH, HDH, AHDH

Electric lock & Security system

RF key
Remo. con. key
Ten key pad
KRS, KRC, BTKLX, TKS

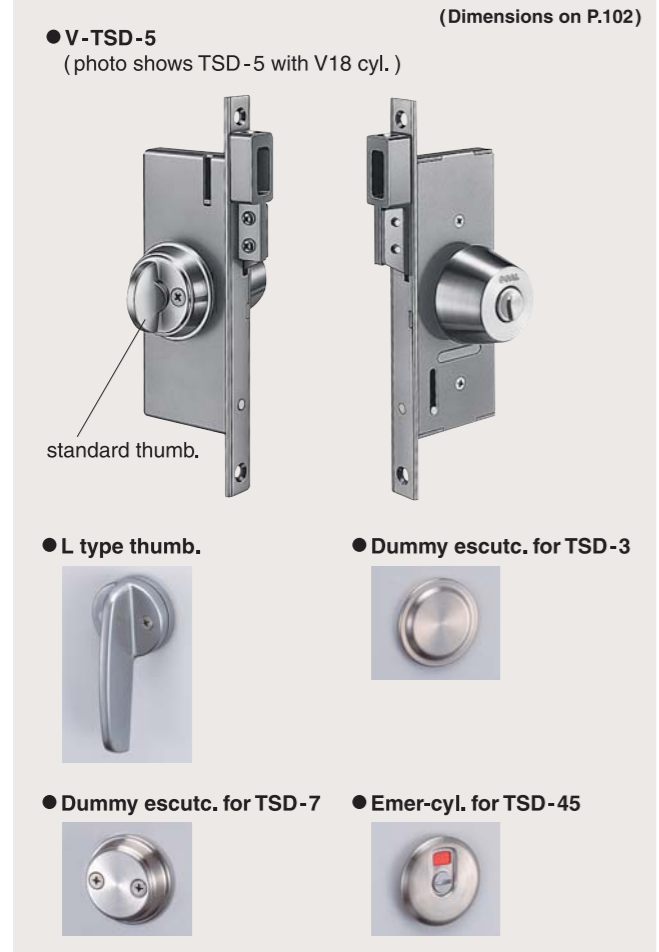
Hotel card lock
JCLM, JCL

Electric lock
PXE, PZE, EZS, EXS, EXM, EU, ES, EL, EM, EV, SXE, CMT, CMR, ME

Electric conductor, Control box, Key switch, etc.
RCL, RCB, RSP, KS, ACT

Dimensions

Applications Sliding hung door



Extremely compact lock, ideal for sliding hung door.

Features

- Extremely compact lock body. (B/s 29mm)
- Easy to mount the locking lod bar. (⚠caution: Locking lod bar can be furnished with option spec. Please inquire the detail of spec.)
- Privacy lock with indicator TSD-45 is available.
- Large lever type thumbturn (L type thumb.) is also available.

Specifications

Backset	29mm
Door thickness (note1)	TSD-3, 45, 45L...33-45mm P, Z-TSD-5...30-45mm V, GV-TSD-5,7...30-43mm P, Z-TSD-6...37-47mm V, GV-TSD-6...30-40mm P, Z-TSD-7...33-50mm
Cylinder [symbol] (note2)	6pin[P](standard), 7pin[Z], V18[V], GV[GV]
Keying system	MK,GMK,GGMK,CNK,etc.available.(ref. P.6~7) (V18,GV...Key change system is available, refer to P.8.) (GV...Universal key system(UKS 2) is not available.)
Key	3, Nickel-silver
Thumbturn	Standard type, L type
Model	TSD-3, 45, 5, 6, 7

note1: More than above-stated door thickness is available by special spec.
2: When ordering or specifying V18 cylinder, add "V" to model number e.g. V-TSD-5.

Applications Sliding hung door



Tubular dead lock for sliding hung door.

Features

- Tubular dead lock excellent in installation.
- Smooth and easy operation.

Specifications

Backset	600mm
Door thickness (note1)	AD-3 35-45mm P, Z-AD-5, 7 30-45-45-55mm P, Z-AD-6 37-47-47-57mm V, GV-AD-5, 7 30-43-43-53mm V, GV-AD-6 30-40-40-50mm
Cylinder [symbol] (note2)	6pin[P](standard), 7pin[Z], V18[V], GV[GV]
Keying system	MK,GMK,GGMK,CNK,etc.available.(ref. P.6~7) (V18,GV...Key change system is available, refer to P.8.) (GV...Universal key system(UKS 2) is not available.)
Key	3, Nickel-silver
Model	AD-3, 5, 6, 7

note1: More than above-stated door thickness is available by special spec.
2: When ordering or specifying V18 cylinder, add "V" to model number e.g. V-AD-5.

Applications Storeroom, gymnasium doors, fireproof door, etc.



Mortise lock with cup handle, excelling in security and durability. HSTC is furnished with automatically locking function.

Specifications

Series	AHC	ASC	HSTC	UCC	GC
Backset	76mm, 100mm	64mm, 76mm	76mm	57, 64, 83, 100mm	64, 100mm
Door thickness (note1)	35-43-43-50-50-53mm	31-33-33-38-38-43-43-48-48-53mm	33-43-43-53mm	29-33-33-38-38-43-43-48-48-53mm	28-33-33-38-38-43-43-48-48-53mm
Cylinder [symbol] (note2)	6pin[P](standard), 7pin[Z], V18[V], GV[GV]			6pin[P](standard), 7pin[Z]	
Keying system	MK,GMK,GGMK,CNK,etc.available.(ref. P.6~7) V18,GV...Key change system is available, refer to P.8. GV UKS 2 is not available			MK,GMK,GGMK,CNK,etc.available.(ref. P.6~7)	
Key	3, Nickel-silver			3, Nickel-silver	
Handle	Cup handle (both sides or one side)			Cup handle (both sides or one side)	
Model	AHC, ASC-1, 3, 5, 6, 7		HSTC-3, 5, 6, 7	UCC, GC-1, 3, 5, 7	

note1: More than above-stated door thickness is available by special spec.
2: When ordering or specifying V18 cylinder, add "V" to model number e.g. V-ASC-5.

AHC, ASC, HSTC, UCC, GC series Model

Model	Classification	Illustration			
		AHC, ASC, HSTC		UCC, GC	
		(both sides cup handle)	(one side knob)	(both sides cup handle)	(one side knob)
AHC, ASC, HSTC, UCC-1 (both sides cup handle)	Passage Latch	⊕ ⊕	⊕ ⊕	⊕ ⊕	⊕ ⊕
AHC, ASC, HSTC, UCC-1Q (one side knob)		⊕ ⊕	⊕ ⊕	⊕ ⊕	⊕ ⊕
AHC, ASC, HSTC-3 (both sides cup handle)	Patio Lock	⊕ ⊕	⊕ ⊕	⊕ ⊕	⊕ ⊕
AHC, ASC, HSTC, UCC-3Q (one side knob)		⊕ ⊕	⊕ ⊕	⊕ ⊕	⊕ ⊕
AHC, ASC, HSTC-5 (both sides cup handle)	Entrance Lock	⊕ ⊕	⊕ ⊕	⊕ ⊕	⊕ ⊕
AHC, ASC, HSTC-5Q (one side knob)		⊕ ⊕	⊕ ⊕	⊕ ⊕	⊕ ⊕

Applications Storeroom, gymnasium doors, fireproof door, etc.



Integral lock with cup handle lock, compact and excelling in installation.

Information

Pin cylinder, Keying system, Function No., To order, etc.

Locks

Push-pull handle lock
Handle designs
PXK, PX, PZK, PZ, PLK, PL, PVKU, PY, PYS

Lever handle lock
Handle designs
AHL, AHL, LGK, LG, LX, LH, HL, LY, LW

Mortise lock
Knob designs
AH, AHP, AS, HS

Integral lock
UC, G

Cylindrical lock
UH, US

Dead lock
LDK, LD, HD, 1502/1503, AHD, AD, GK, GG, HN, ANT

Rim dead lock
MH, MD, MDU

Cremon bolt
CMM

Glass door lock
2510, HDT, CG, AG, BGU

Sliding door lock
SX, PSS, SAK, SN, TSD, AD(B/S600)

Cup handle lock
AHC, ASC, HSTC, UCC, GC

Emergency lock
AHLH, AHH, HSTH, HDH, AHDH

Electric lock & Security system

RF key
Remo. con. key
Ten key pad
KRS, KRC, BTKLX, TKS

Hotel card lock
JCLM, JCL

Electric lock
PXE, PZE, EZS, EXS, EXM, EU, ES, EL, EM, EV, SXE, CMT, CMR, ME

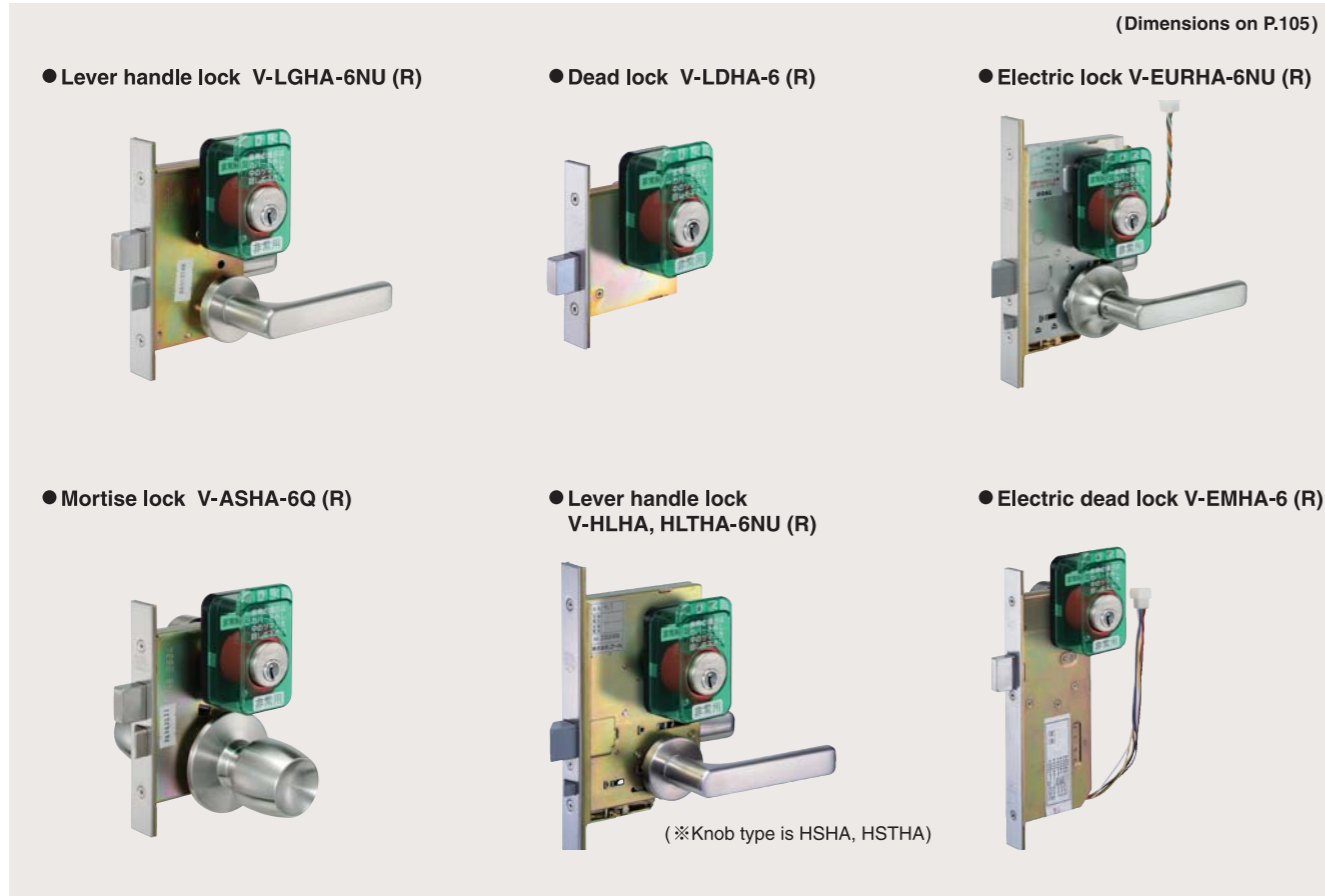
Electric conductor, Control box, Key switch, etc.
RCL, RCB, RSP, KS, ACT

Dimensions

Emergency Lock

Mortise lock with emergency unlocking device **NEW** LGH(A,B), ASH(A,B), LDH(A,B), HLTH(A,B), EURH(A,B), EMH(A,B) series

Applications Emergency exit door



(※Knob type is HSHA, HSTHA)

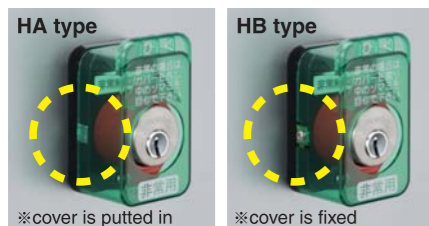
Mortise lock with emergency unlocking device excelling in security, durability and easy operation.

Features

Take away the cover in case of emergency, so can be unlocked without the key by turning unlocking-knob in the emergency device.



- HA type...can use the cover repeatedly.
- HB type...can't use the cover repeatedly.

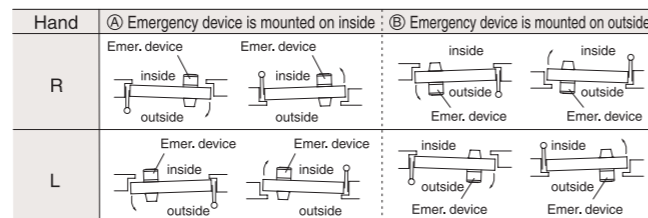


Cylinder is 6 pin cyl., 7 pin cyl., v18 cyl. and GV cyl. are available.

Specifications

Classification	Series	Handle	Backset	Door thickness
Lever handle lock	LGH (A,B)	Lever	51, 64, 76mm	33-43-43-53mm
Mortise lock	ASH (A,B)	Knob	64, 76mm	
Dead lock	LDH (A,B)	—	64, 76mm	36-43-43-53mm
Lever handle lock	HLH (A,B)	Lever	76mm	
Mortise lock	HSH (A,B)	Knob	76mm	36-43-43-53mm
Automatically locking lock	HLTH (A,B)	Lever	76mm	
	HSTH (A,B)	Knob	76mm	36-43-43-53mm
Electric dead lock	EMH (A,B)	—	51, 64, 76mm	
Electric lock	EUTH (A,B)	Lever or Knob	76mm	Lever...36-38-38-43-43-48-48-53mm
	EURH (A,B)	Knob	76mm	Knob...36-43-43-53mm

Hand of LGHA, ASHA, LDHA, HLHA, EMHA

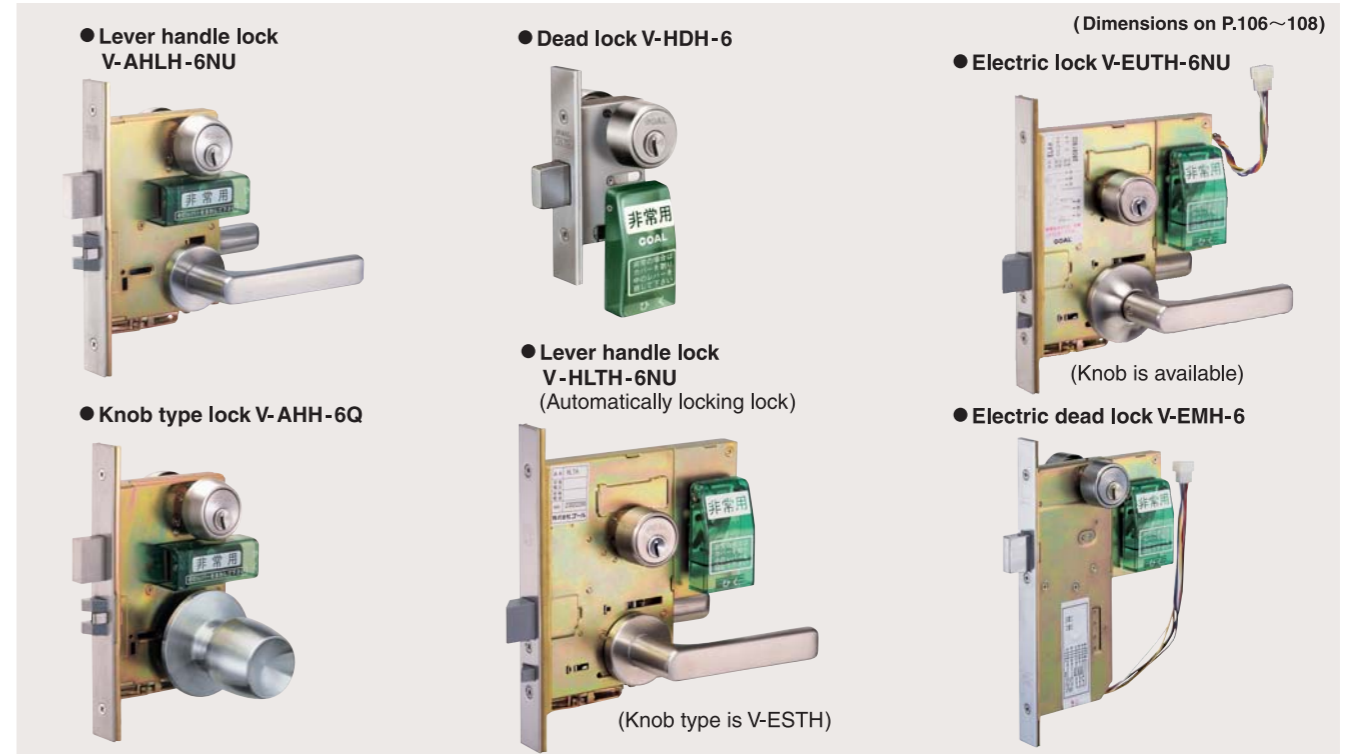


※Hand of HLTHA, HSTHA, EUTHA, EURHA are reverse to above lock's hand.

Emergency Lock

Mortise lock with emergency unlocking device AHLH, AHH, HDH, HLTH, EUTH, EMH series

Applications Emergency exit door



(Knob type is V-ESTH)

Mortise lock with emergency unlocking device excelling in security, durability and easy operation.

Features

Take away the cover in case of emergency, so can be unlocked without the key by turning unlocking-lever in the emergency device.



(AHLH, AHH)



(HDH, HLTH, EUTH, EMH)

Specifications (Model No. ... 5, 6, 7)

Classification	Series	Handle	Backset	Door thickness
Lever handle lock	AHLH	Lever	76, 100mm	35-42.5-42.5-53mm
Mortise lock	AHH	Knob	76mm	35-50mm
Lever handle lock	HLTH	Lever	76mm	29-33-33-43-43-53mm
Mortise lock	HSTH	Knob	76mm	
Dead lock	HDH	—	38, 51, 64, 76mm	29-33-33-43-43-53mm
Electric lock	EUTH, EURH	Lever or Knob	76mm	
	ELTH, ELRH	Lever	76mm	
Electric dead lock	EMH	—	38, 51, 64, 76mm	

Information

Pin cylinder, Keying system, Function No., To order, etc.

Locks

Push-pull handle lock
Handle designs
PXK, PX, PZK, PZ, PLK, PL, PVKU, PY, PYS

Lever handle lock
Handle designs
AHL, AHL, LGK, LG, LX, LH, HL, LY, LW

Mortise lock
Knob designs
AH, AHP, AS, HS

Integral lock
UC, G

Cylindrical lock
UH, US

Dead lock
LDK, LD, HD, 1502/1503, AHD, AD, GK, GG, HN, ANT

Rim dead lock
MH, MD, MDU
Cremon bolt
CMM

Glass door lock
2510, HDT, CG, AG, BGU

Sliding door lock
SX, PSS, SAK, SNI, TSD, AD(B/S600)

Cup handle lock
AHC, ASC, HSTC, UCC, GC

Emergency lock
AHLH, AHH, HLTH, HDH, AHDH

Electric lock & Security system

RF key
Remo. con. key
Ten key pad
KRS, KRC, BTKLX, TRS

Hotel card lock
JCLM, JCL

Electric lock
PXE, PZE, EZS, EXS, EXM, EU, ES, EL, EM, EV, SXE, CMT, CMR, ME

Electric conductor, Control box, Key switch, etc.
RCL, RCB, RSP, KS, ACT

Dimensions

Emergency device

Knob cover, Thumbturn cover for emergency.

Application Emergency Exit Door

● Knob cover



● Thumbturn cover



Take away the knob cover in case of emergency, so can be unlocked by turning the thumbturn in knob.

Take away the thumbturn cover in case of emergency, so can be unlocked by turning the thumbturn.

Specifications

● Adaptable lock of knob cover

Classification	Series	Backset	Rose
Integral lock	UC	64, 76, 100mm	S2 (φ 75mm)
	G	64, 100mm	S2 (φ 75mm)
Cylindrical lock	US	64, 70, 89, 127mm	S2 (φ 75mm)

※refer to page for detail
● UC, GP.29
● USP.31

Specifications

● Adaptable lock of thumbturn cover

Classification	Series	Backset	Door thickness
Lever handle lock	LGK	64mm	29~33·33~43·43~53mm
	LG	51, 64, 76mm	43~53mm
Mortise lock	AS	64, 76mm	29~33·33~43·43~53mm
	LDK	64, 76mm	29~43·43~53mm
Dead lock	LD	64, 76mm	29~43·43~53mm
	HD	51, 64, 76mm	29~43·43~53mm
Cremon bolt lock	CMM	64mm	29~33·33~43·43~53mm
Electric lock	EUR, EUT	76mm	29~33·33~43·43~53mm
	EL·ES	76mm	43~53mm

※refer to page for detail
● LGK, LGP.22
● ASP.28
● LDK, LD, HDP.32
● CMMP.37
● EUR, EUTP.58
● EL, ESP.59-61

Information

Pin cylinder, Keying system, Function No. To order, etc.

Locks

Push-pull handle lock
Handle designs PJK, PK, PZK, PZ, PLK, PL, PVKU, PY, PYS

Lever handle lock
Handle designs AHL, AHL.P, LGK, LG, LX, LH, HL, LV, LW

Mortise lock
Knob designs AH, AHP, AS, HS

Integral lock
UC, G

Cylindrical lock
UH, US

Dead lock
LDK, LD, HD, 1502/1503, AHD, AD, GK, GG, HN, ANT

Rim dead lock
MH, MD, MDU
Cremon bolt
CMM

Glass door lock
2510, HDT, CG, AG, BGV

Sliding door lock
SX, PSS, SAK, SN, TSD, AD(B/S600)

Cup handle lock
AHC, ASC, HSTC, UCC, GC

Emergency lock
AHLH, AHH, HSTH, HDH, AHDH

Electric lock & Security system

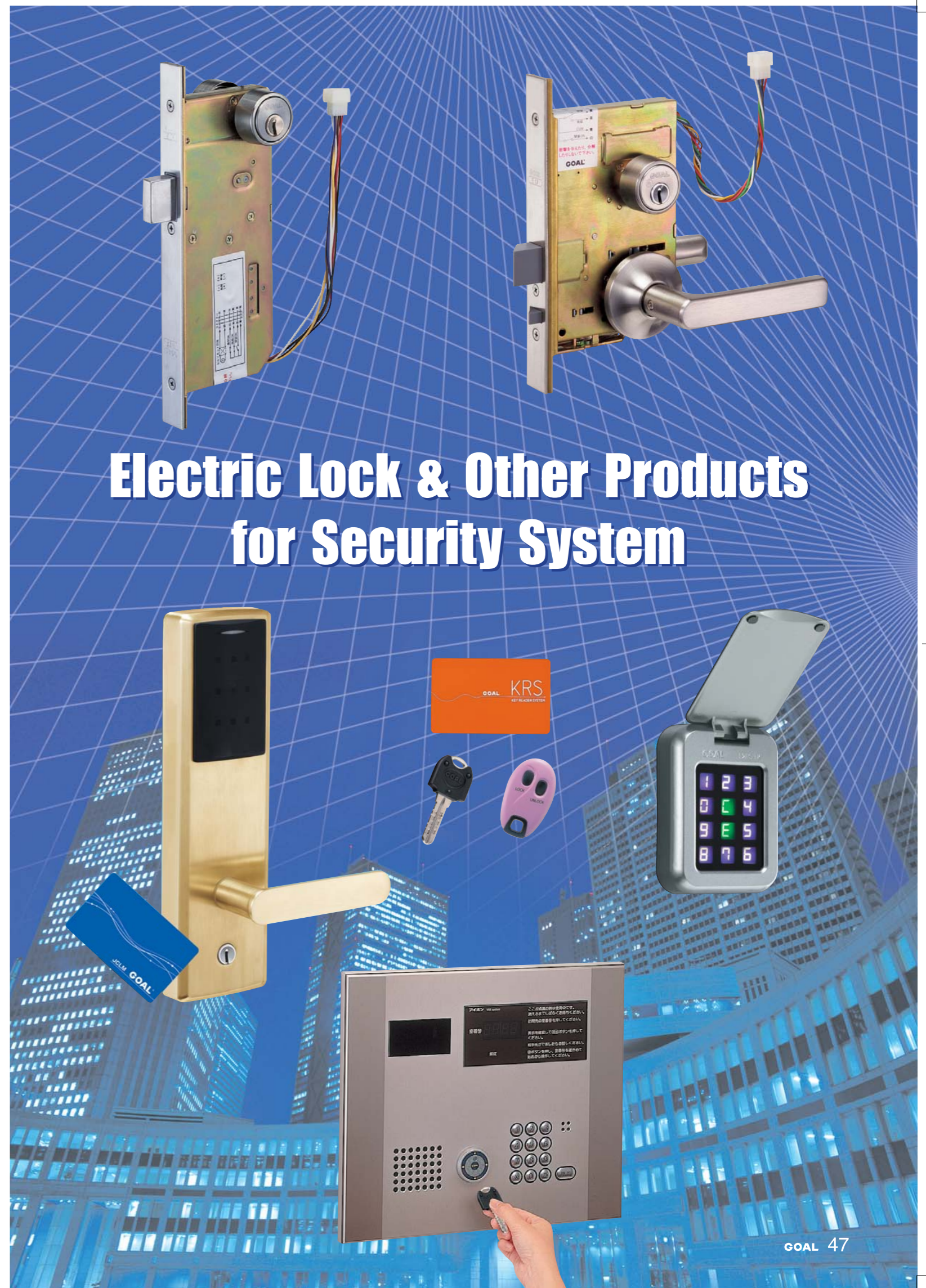
RF key
Remo, con, key
Ten key pad
KRS, KRC, BTXLX, TKS

Hotel card lock
JCLM, JCL

Electric lock
PXE, PZE, EZS, EKS, EXM, EU, ES, EL, EM, EV, SXE, CMT, CMR, ME

Electric conductor, Control box, Key switch, etc.
RCL, RCB, RSP, KS, ACT

Dimensions



KRS Non-touch key lock system by RF-key KRS series

Applications Security system for entrance or service entrance of building and house.



Can be unlocked the electric lock or opened the auto-door by approaching the RF-key to key reader.

Features

- Just approaching RF-key to key-reader, can be unlocked electric lock. (Also can be opened the auto-door.)
- RF-key has no dry cell so maintenance is not needed.
- Even handicapped or elder people can operate easily.
- Excellent in security. In case of losing RF-key or resident moving, old RF-key code can be deleted and new RF-key code can be registered so easily, and it is quite impossible to copy RF-key.
- Informed right access by LED lamp and buzzer.

Specifications

System	KRS-200	KRS-600	KRS-420	KRS-410	KRS-320	KRS-310
Application	Common Entrance for apartment houses			Entrance of residential houses		
Controlable system	Max.6	Max.2	1	1		
Available register code	800 (7 codes per room) (Total 5,600 codes)		250	8		
Responsible distance	RF key, key tag...about 3 cm, RF card...about 10 cm					
Method of RF-Key registration	Read new code of key (auto-registration)			Controller operation		
Controlable object	Electric lock or Auto-door (note1)	Auto-door	Electric lock (note1)	Auto-door	Electric lock (note2)	Auto-door

note1: KRS-200, 420 systems are controllable most of GOAL electric lock.
2: KRS-320 systems are controllable electric lock PXE, EZS, EXS, EM, SXE, EV. (refer to P.56, 57, 62, 63)

KRC Remote controlled lock system by electric wave key KRC series

Applications Security system for entrance of house or office room.



Can be unlocked the electric lock or opened the auto-door by pushing the button of remo-con key.

Features

- Pushing button of remo-con key, can be unlocked electric lock. (Also can be opened the auto door.)
- Excellent in security by providing tremendous numbers (4.9×10²⁷ kinds) of key code and using rolling code system.
- Informed right access by LED lamp and buzzer.
- Power life of dry cell in remo-con key is so long. (more than 4 years)

Specifications

System	KRC-200	KRC-400	KRC-410
Application	Common Entrance for apartment houses		
Controlable system	Max.6	1	
Available register code	800 (8 codes per room) (Total 6,400 codes)	680	
Responsible distance	about 6.5m		
Method of Key registration	Controller operation	Controller operation	
Controlable object	Electric lock or Auto-door (note)	Electric lock (note)	Auto-door

note: KRC-200, 400 systems are controllable most of GOAL electric lock.

TKS Ten keypad system TKS-100 series

Applications Security system for entrance of house or office room.



Enormous combinations of code number is available and 5 kinds of code can be registered.

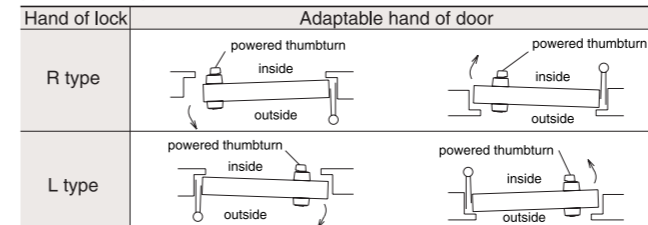
Features

- Can be unlock by input the code number with ten keypad.
- Code number can be changed easily by control box.
- Enormous combinations of code number is available. (combinations are over 10¹⁵)
- 5 kinds of code numbers can be registered. (Master or Grand Master code can be registered.)
- Alarm apparatus against burglary attacks or wrong operations is furnished.
- Special emergency code number is available against burglary threat. With this code number, electric lock will be unlocked and emergency signal will be sent to the control center without notice by threatener.

Specifications

Model	TKS-100	TKS-100E	TKS-100A	TKS-100EA
Installation place	outside		inside	
Controller	TKS-100	TKS-100E	TKS-100	TKS-100E
Controllable object	Electric lock	Auto door	Electric lock	Auto door
Usable electric lock	<ul style="list-style-type: none"> •EUT, EUR (P.58) •EZS, EL·ES series (P.57-61) •EM, SXE (P.62, 63) •CMT, CMR (P.64) 			

Hand of powered thumbturn of BTKLX



BTKLX Battery powered keypad system BTKLX (Used with power operated thumb turn,) BZSTK (Used with electric lock)

Applications Security system for entrance or service entrance.



Battery powered keypad system excelling in security.

Features

- Enormous combinations of code number is available. (Combination is over 100 trillion) And 5 kinds of code numbers are available.
- Battery power supply eliminates wiring work.
- The position of the number changes for each operation.
- In case of battery power is low, "LO" lamp will be indicated on operation.

Specifications

Model	BTKLX (Mechanical lock furnished with powered thumbturn)	BZSTK (Electric lock BZS)
Powered thumbturn	MTH*1(LX)	—
Rated voltage	DC5V	DC6V (Rated current 0.9A)
Usable lock	<ul style="list-style-type: none"> •Push-pull handle lock PLK, PL (P.14) •Lever handle lock LGK, LG (P.22) •Dead lock LDK, LD, HD (P.32) 	•Electric lock BZS
Backset	64mm	64mm
Door thickness (note1)	35-43·43-53mm	29-33·33-43·43-53mm
Hand	R, L (refer side table)	—
Gap (door and jamb)	not more than 6mm	not more than 6mm
Cylinder [symbol] (note2)	6pin[P](standard), 7pin[Z], V18[V], GV[GV]	
Keying system	MK, GMK, GGMK, CNK, etc. available, refer to P.7. (V18, GV...Key change system is available, refer to P.8. (GV...Universal key system (UKS 2) is available, refer to P.9.)	

KS-3R Key switch system with reverse master key system KS-3R

Applications Security system for entrance or service entrance of building and house.



Ideal for common entrance or service entrance by reverse master keyed system.

Features

- Ideal for common entrance or service entrance by reverse master keyed system.
- Controllable electric lock or auto-door by key switch.

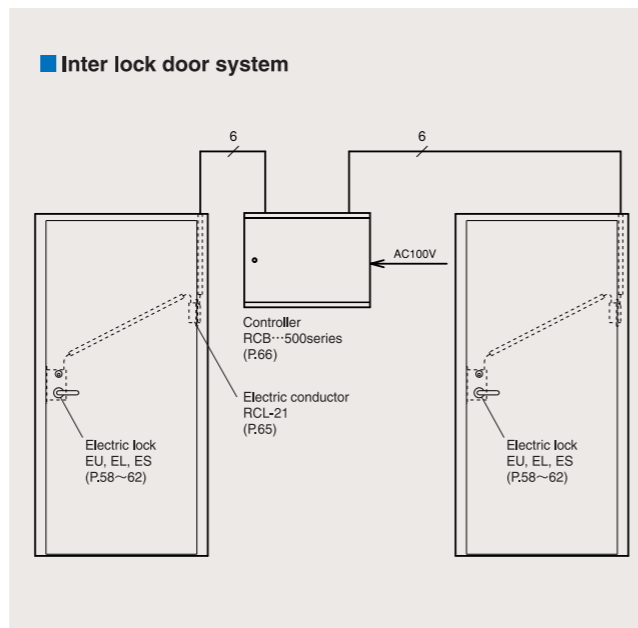
Specifications

Rated voltage	DC 30V	
Rated current	1A (Max. 3A)	
Control box (refer to P.66)	RCB-500 series	RCB-730
Controllable gate	Max. 15	1
Cylinder [symbol] (note)	6pin[P](standard), 7pin[Z], V18[V], GV[GV]	
Key	3, Nickel-silver	
Controllable electric lock	EUR, EUT, ELR, ESR, ELT, EST, etc. (P.58~63)	

note : When ordering or specifying V18 cylinder, add "V" to model number e.g. V-KS-3R.

Inter-lock door system

Applications Experiment room, Clean room of factory or hospital.



Controlled automatically both door's electric locks are not locked or unlocked simultaneously.

Features

- When unlocked (or locked) one side door's electric lock, another side door's electric lock is locked (or unlocked) automatically.
- Both side door's electric locks are not locked or unlocked at the same time by control box.
- Controllable electric locks are EUR, EUT, ELR, ESR, ELT, EST, etc. (refer to P.58~63)

JCLM Non-contact IC card lock JCLM series **NEW**

(Automatically locking lock) (for in-swinging door)
(※out-swing door type is option spec.)

Main Applications Hotel guest room, etc.



Comprehensive performance for hotel lock. Very versatile IC card lock and more security and more efficient

Features

- Automatically locked when door is closed.
- Can be unlocked by approaching the non-contact IC card to the card reader, so improved operability.
- Improved safety, security and durability.
- Non-contact IC card is based "MIFARE" card. "MIFARE" card is widely used in worldwide.
- Green LED lamp confirms that unlocked by the correct card. Error is confirmed by red LED lamp.

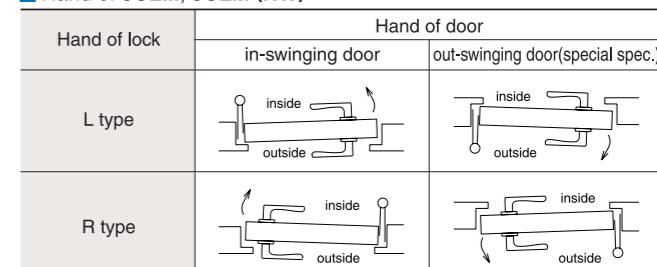


- Dry cell power supply eliminate wiring work.
- Power life is approximately 18 months in normal use. (15 times a day)
- LED-lamp indicate the falling of the power by go on and off.
- Furnished with anti-panic device. So can be unlocked and opened the door by turning inside handle.
- In emergency, can be unlocked by key without the non-contact IC card.

Specifications

Series	JCLM...Escutcheon is on outside only	
	JCLM(NW)...Escutcheons are on both side	
Backset	70mm	
Door thickness	33-43・43-53mm	
Cylinder [symbol]	6pin[standard] [P], 7pin[Z], V18[V], GV[GV]	
Keying system	MK,GMK,GGMK,CNK,etc.available.(ref. P.6~7) (V18,GV...Key change system is available, refer to P.8.)	
Gap	under 6mm	
Hand	L type, R type (refer to under table)	
Handle	ZU, PRCU, etc. (refer to P.54)	
Power supply	Four size AA alkaline dry cells	
Power life	Approximately 18 months in normal use (15 times a day)	
Using conditions	Temperature...0°C~+40°C, Humidity...Max 86% RH, indoors	

Hand of JCLM, JCLM (NW)



Information

Pin cylinder, Keying system, Function No. To order, etc.

Locks

Push-pull handle lock
Handle designs
PXK, PX, PZK, PZ, PLK, PL, PVKU, PY, PYS

Lever handle lock
Handle designs
AHL, AHL, LGK, LG, LX, LH, HL, LY, LW

Mortise lock
Knob designs
AH, AHP, AS, HS

Integral lock
UC, G

Cylindrical lock
UH, US

Dead lock
LDK, LD, HD, 1502/1503, AHD, AD, GK, GG, HN, ANT

Rim dead lock
MH, MD, MDU

Cremon bolt
CMM

Glass door lock
2510, HDT, CG, AG, BGV

Sliding door lock
SX, PSS, SAK, SNI, TSD, AD(B/S600)

Cup handle lock
AHC, ASC, HSTC, UCC, GC

Emergency lock
AHLH, AHH, HSTH, HDH, AHDH

Electric lock & Security system

RF key Remo. con. key Ten key pad
KRS, KRC, BTKLX, TKS

Hotel card lock
JCLM, JCL

Electric lock
PXE, PZE, EZS, EXS, EXM, EU, ES, EL, EM, EV, SXE, CMT, CMR, ME

Electric conductor, Control box, Key switch, etc.
RCL, RCB, RSP, KS, ACT

Dimensions

Information

Pin cylinder, Keying system, Function No. To order, etc.

Locks

Push-pull handle lock
Handle designs
PXK, PX, PZK, PZ, PLK, PL, PVKU, PY, PYS

Lever handle lock
Handle designs
AHL, AHL, LGK, LG, LX, LH, HL, LY, LW

Mortise lock
Knob designs
AH, AHP, AS, HS

Integral lock
UC, G

Cylindrical lock
UH, US

Dead lock
LDK, LD, HD, 1502/1503, AHD, AD, GK, GG, HN, ANT

Rim dead lock
MH, MD, MDU

Cremon bolt
CMM

Glass door lock
2510, HDT, CG, AG, BGV

Sliding door lock
SX, PSS, SAK, SNI, TSD, AD(B/S600)

Cup handle lock
AHC, ASC, HSTC, UCC, GC

Emergency lock
AHLH, AHH, HSTH, HDH, AHDH

Electric lock & Security system

RF key Remo. con. key Ten key pad
KRS, KRC, BTKLX, TKS

Hotel card lock
JCLM, JCL

Electric lock
PXE, PZE, EZS, EXS, EXM, EU, ES, EL, EM, EV, SXE, CMT, CMR, ME

Electric conductor, Control box, Key switch, etc.
RCL, RCB, RSP, KS, ACT

Dimensions

JCL Magnetic card lock JCL series

(Automatically locking lock) (for in-swinging door)
 (*:out-swinging door type is option spec.)

Information

Pin cylinder, Keying system, Function No., To order, etc.

Locks

Push-pull handle lock
 Handle designs
 PJK, PX, PZK, PZ, PLK, PL, PVKU, PY, PYS

Lever handle lock
 Handle designs
 AHL, AHL, LGK, LG, LX, LH, HL, LY, LW

Mortise lock
 Knob designs
 AH, AHP, AS, HS

Integral lock
 UC, G

Cylindrical lock
 UH, US

Dead lock
 LDK, LD, HD, 1502/1503, AHD, AD, GK, GG, HN, ANT

Rim dead lock
 MH, MD, MDU
 Cremon bolt
 CMM

Glass door lock
 2510, HDT, CG, AG, BGU

Sliding door lock
 SX, PSS, SAK, SN, TSD, AD(B/S600)

Cup handle lock
 AHC, ASC, HSTC, UCC, GC

Emergency lock
 AHLH, AHH, HSTH, HDH, AHDH

Electric lock & Security system

RF key
 Remo. con. key
 Ten key pad
 KRS, KRC, BTKLX, TKS

Hotel card lock
 JCLM, JCL

Electric lock
 PXE, PZE, EZS, EXS, EXM, EU, ES, EL, EM, EV, SXE, CMT, CMR, ME

Electric conductor, Control box, Key switch, etc.
 RCL, RCB, RSP, KS, ACT

Dimensions

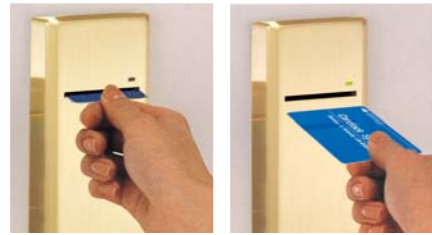
Main Applications Hotel guest room, etc.



Comprehensive performance for hotel lock. Very versatile magnetic card lock and more security and more efficient

Features

- Automatically locked when door is closed.
- Can be unlocked by inserting the magnetic card to the card reader.
- Improved safety, security and durability.
- Green LED lamp confirms that unlocked by the correct card. Error is confirmed by red LED lamp.



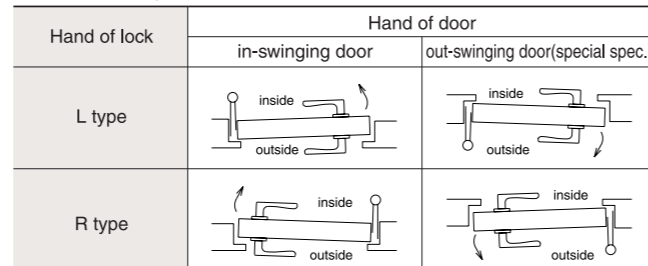
unlocked confirmation (green lamp)

- Battery power supply eliminate wiring work.
- Power life is approximately 18 months in normal use. (15 times a day)
- LED-lamp indicate the falling of the power by go on and off.
- Furnished with anti-panic device. So can be unlocked and opened the door by turning inside handle.
- In emergency, can be unlocked by key without the magnetic card.

Specifications

Series	JCL...Escutcheon is on outside only JCL(NW)...Escutcheons are on both side
Backset	70mm
Door thickness	33-43・43-53mm
Cylinder [symbol]	6pin (standard) [P], 7pin [Z], V18 [V], GV [GV]
Keying system	MK, GMK, GGMM, CNK, etc. available. (ref. P.6~7) (V18, GV...Key change system is available, refer to P.8)
Gap	under 6mm
Hand	L type, R type (refer to under table)
Handle	ZU, PRCU, etc. (refer to P.55)
Power supply	Four size AA alkaline dry cells
Power life	Approximately 18 months in normal use (15 times a day)
Using conditions	Temperature...0°C ~ +40°C Humidity...Max86%RH, indoors

Hand of JCL, JCL (NW)



JCLM (non-contact IC card), JCL (Magnetic card) Card lock system very versatile and many advantages

Information

Pin cylinder, Keying system, Function No., To order, etc.

Locks

Push-pull handle lock
 Handle designs
 PJK, PX, PZK, PZ, PLK, PL, PVKU, PY, PYS

Lever handle lock
 Handle designs
 AHL, AHL, LGK, LG, LX, LH, HL, LY, LW

Mortise lock
 Knob designs
 AH, AHP, AS, HS

Integral lock
 UC, G

Cylindrical lock
 UH, US

Dead lock
 LDK, LD, HD, 1502/1503, AHD, AD, GK, GG, HN, ANT

Rim dead lock
 MH, MD, MDU
 Cremon bolt
 CMM

Glass door lock
 2510, HDT, CG, AG, BGU

Sliding door lock
 SX, PSS, SAK, SN, TSD, AD(B/S600)

Cup handle lock
 AHC, ASC, HSTC, UCC, GC

Emergency lock
 AHLH, AHH, HSTH, HDH, AHDH

Electric lock & Security system

RF key
 Remo. con. key
 Ten key pad
 KRS, KRC, BTKLX, TKS

Hotel card lock
 JCLM, JCL

Electric lock
 PXE, PZE, EZS, EXS, EXM, EU, ES, EL, EM, EV, SXE, CMT, CMR, ME

Electric conductor, Control box, Key switch, etc.
 RCL, RCB, RSP, KS, ACT

Dimensions

Ideal for handling the different needs of different guests, more efficient key supervision, more safety and security.

Flexibility-Many levels of card authorization can be encoded



- The dates and times when a card is valid can be set in advance. The card automatically becomes invalid at the end of the period you have set.
- Card can be issued in advance. Dates and times can be set in advance, so you can issue the cards whenever is convenient.
- Leasing rooms by the hour. The period when a card is valid can be set to the nearest minute, so rooms can be leased by the hour and minute as well as for whole nights.
- Guests sharing a room can have their own individual code numbers. If several guest cards are issued for the same room, they can all have individual code numbers (ID numbers). This is very useful when the system is expanded to include other facilities.
- Up to 4 different rooms can be specified on a single card. The ability to specify up to 4 different rooms on a single card can be very convenient when your guests come as a family.
- Cards can have your own design. As an option, the back of the card, and the parts of the front not used by the card encoder can be printed with your own design. You can then use the card for advertising.

Using non-contact IC card, the innovative IC card lock system not only realizes even greater security than conventional magnetic card, but also offers a variety of additional features due to the large data memory in each card.

Easy to use card encoder - Simple card issue procedure

- The card encoder for issuing all the different sorts of cards should be installed at the reception desk.
- Individual keys are used for each of the major functions, so the card encoder is very easy to use.
- Issue of cards is controlled very carefully, and to ensure security, a special card requiring a secret personal identification number is needed to issue master cards, maid cards and maintenance staff cards.

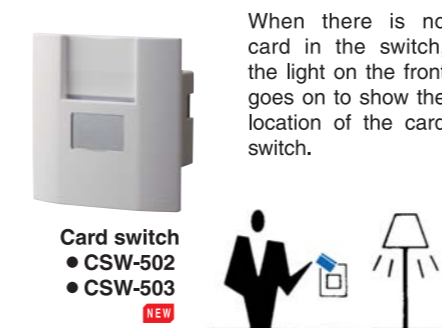
Interface unit Card-encoder



Potential for expansion - Extra functions for your system

Link with an energy-saving system (option)

- A card switch can be fitted inside each room to automatically control the power supply to the room.
- The power goes on whenever the guest places his guest card in the cardswitch, and goes off again when the card is taken out. This can be used to prevent the guest from accidentally leaving the lighting or air conditioning switched on when he goes out of the room.



Link with a common card system (option)

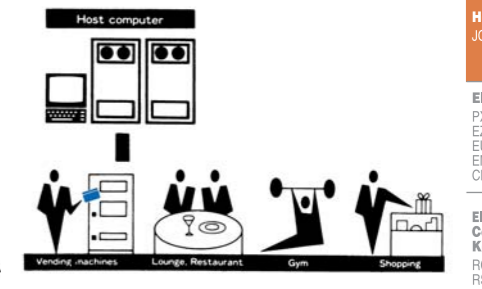
- Common card readers can be installed for the main entrance to the hotel and for access to sauna rooms and other facilities. This allows all guests with valid cards to enter and leave as they wish.

Common card reader CLS-JCLM-102 CLS-JCL-102



Developing cashless systems in your hotel

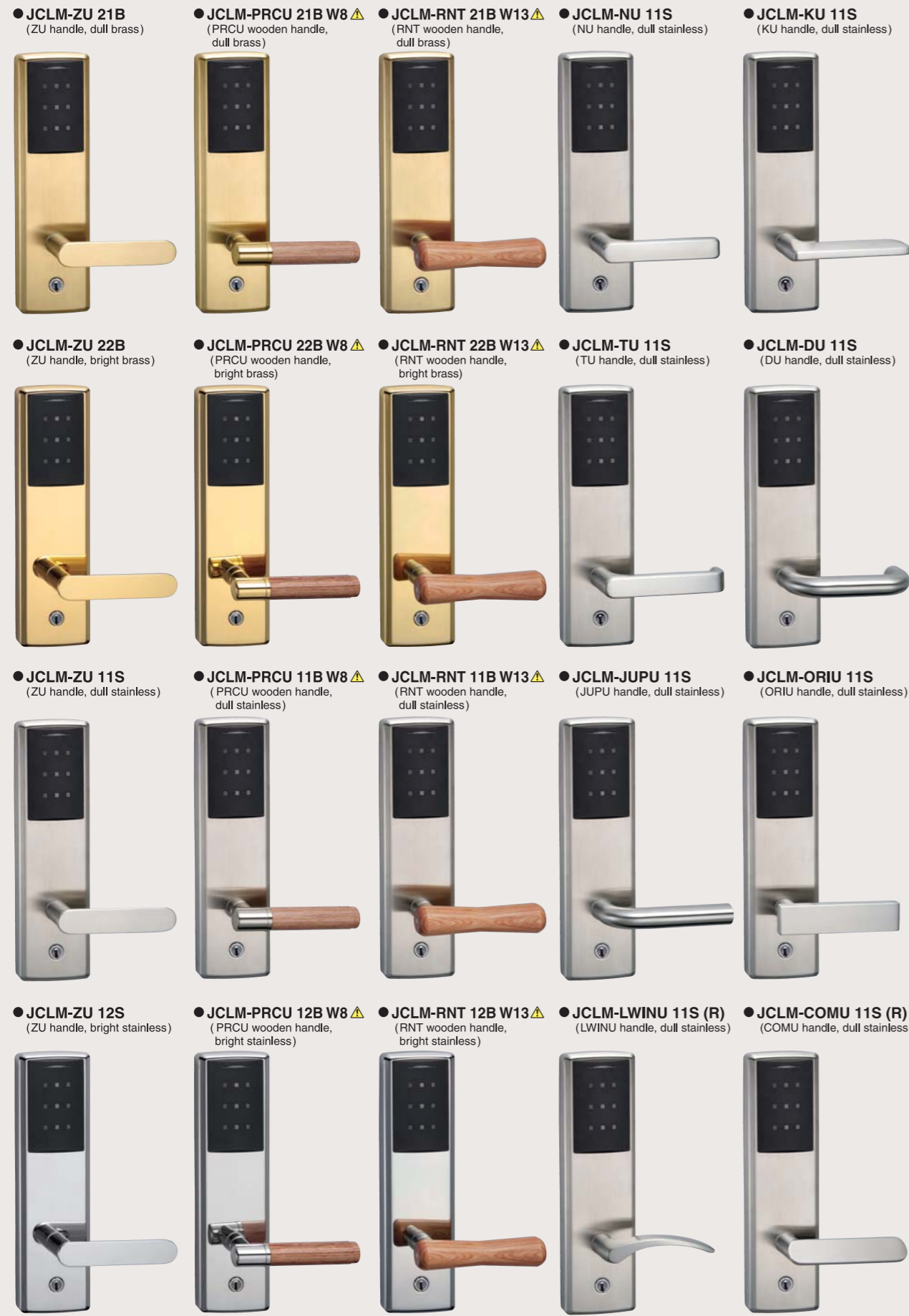
- The guest cards can be used as ID cards for all the facilities in your hotel, allowing you to develop cashless systems. Please contact us for further details.



JCLM Non-touch IC card lock JCLM **NEW** Handle and escutcheon designs.

(note : JCLM (NW) is furnished with escutcheons on both side, but JCLM is furnished with escutcheon on outside only.)

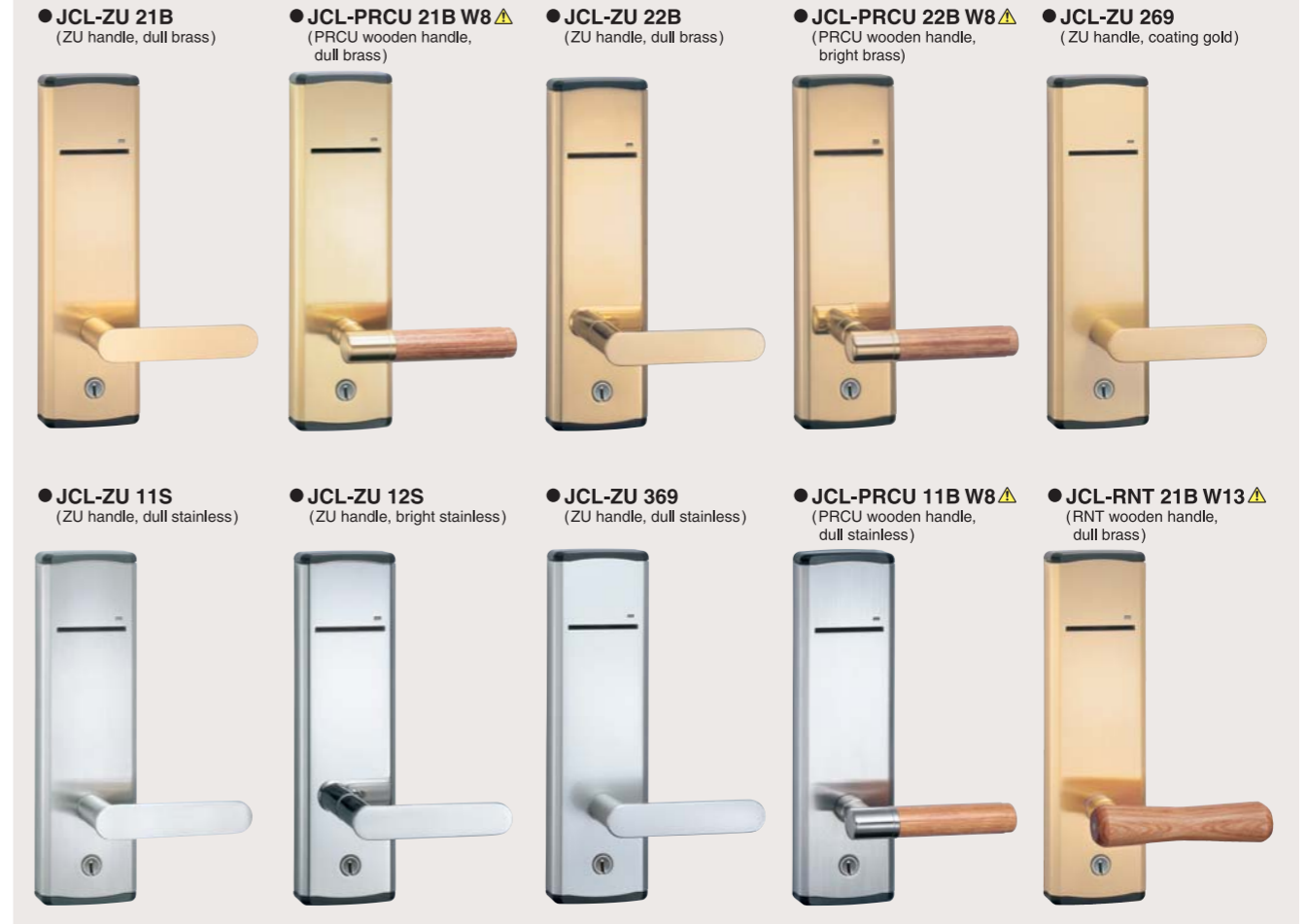
JCLM (NW), JCLM (※ Photo shows JCLM type.) ⚠ Caution : Wooden handle should be used at indoor.



JCL Magnetic card lock JCL Handle and escutcheon designs.

(Design variation is available as JCLM handle designs, refer to P.54.)

JCL (note : JCL is furnished with escutcheon on outside only.) ⚠ Caution : Wooden handle should be used at indoor.



JCL (NW) (note : JCL (NW) is furnished with escutcheons on both side.) ⚠ Caution : Wooden handle should be used at indoor.



- Information
- Pin cylinder, Keying system, Function No. To order, etc.
- Locks
 - Push-pull handle lock
Handle designs
PXK, PX, PZK, PZ, PLK, PL, PVKU, PY, PYS
 - Lever handle lock
Handle designs
AHL, AHL, LGK, LG, LX, LH, HL, LY, LW
 - Mortise lock
Knob designs
AH, AHP, AS, HS
 - Integral lock
UC, G
 - Cylindrical lock
UH, US
 - Dead lock
LDK, LD, HD, 1502/1503, AHD, AD, GK, GG, HN, ANT
 - Rim dead lock
MH, MD, MDU
 - Cremon bolt
CMM
 - Glass door lock
2510, HDT, CG, AG, BGU
 - Sliding door lock
SX, PSS, SAK, SN, TSD, AD(B/S600)
 - Cup handle lock
AHC, ASC, HSTC, UCC, GC
 - Emergency lock
AHLH, AHH, HSTH, HDH, AHDH
 - Electric lock & Security system
 - RF key
Remo. con. key
Ten key pad
KRS, KRC, BTKLX, TKS
 - Hotel card lock
JCLM, JCL
 - Electric lock
PXE, PZE, EZS, EXS, EXM, EU, ES, EL, EM, EV, SXE, CMT, CMR, ME
 - Electric conductor, Control box, Key switch, etc.
RCL, RCB, RSP, KS, ACT
 - Dimensions

- Information
- Pin cylinder, Keying system, Function No. To order, etc.
- Locks
 - Push-pull handle lock
Handle designs
PXK, PX, PZK, PZ, PLK, PL, PVKU, PY, PYS
 - Lever handle lock
Handle designs
AHL, AHL, LGK, LG, LX, LH, HL, LY, LW
 - Mortise lock
Knob designs
AH, AHP, AS, HS
 - Integral lock
UC, G
 - Cylindrical lock
UH, US
 - Dead lock
LDK, LD, HD, 1502/1503, AHD, AD, GK, GG, HN, ANT
 - Rim dead lock
MH, MD, MDU
 - Cremon bolt
CMM
 - Glass door lock
2510, HDT, CG, AG, BGU
 - Sliding door lock
SX, PSS, SAK, SN, TSD, AD(B/S600)
 - Cup handle lock
AHC, ASC, HSTC, UCC, GC
 - Emergency lock
AHLH, AHH, HSTH, HDH, AHDH
 - Electric lock & Security system
 - RF key
Remo. con. key
Ten key pad
KRS, KRC, BTKLX, TKS
 - Hotel card lock
JCLM, JCL
 - Electric lock
PXE, PZE, EZS, EXS, EXM, EU, ES, EL, EM, EV, SXE, CMT, CMR, ME
 - Electric conductor, Control box, Key switch, etc.
RCL, RCB, RSP, KS, ACT
 - Dimensions

PXE PXKE Electric lock PXE, PXKE (Locked or unlocked by motor.)

PZE PZKE Electric lock PZE, PZKE (Locked or unlocked by motor.)

EZS Electric lock EZS (Locked or unlocked by instantaneous flow of current.)

EXS Electric lock EXS (Locked or unlocked by instantaneous flow of current.)

Information

Pin cylinder, Keying system, Function No., To order, etc.

Locks

Push-pull handle lock
Handle designs
PXK, PX, PZK, PZ, PLK, PL, PVKU, PY, PYS

Lever handle lock
Handle designs
AHL, AHL, LGK, LG, LX, LH, HL, LY, LW

Mortise lock
Knob designs
AH, AHP, AS, HS

Integral lock
UC, G

Cylindrical lock
UH, US

Dead lock
LDK, LD, HD, 1502/1503, AHD, AD, GK, GG, HN, ANT

Rim dead lock
MH, MD, MDU

Cremon bolt
CMM

Glass door lock
2510, HDT, CG, AG, BGU

Sliding door lock
SK, PSS, SAK, SN, TSD, AD(B/S600)

Cup handle lock
AHC, ASC, HSTC, UCC, GC

Emergency lock
AHLH, AHH, HSTH, HDH, AHDH

Electric lock & Security system

RF key
Remo. con. key
Ten key pad
KRS, KRC, BTKLX, TKS

Hotel card lock
JCLM, JCL

Electric lock
PXE, PZE, EZS, EXS, EXM, EU, ES, EL, EM, EV, SXE, CMT, CMR, ME

Electric conductor, Control box, Key switch, etc.
RCL, RCB, RSP, KS, ACT

Dimensions

Applications Entrance, etc. (*out-swinging door only)

(Dimensions on P.115)

● V-PXKE SK-5 GOE 364 (R) (*hooked dead bolt type)
(photo shows PXKE-5 with V18 cyl., GOE handle, silver, R hand)
(*PXKE has normal deadbolt)



Applications Entrance, etc. (*out-swinging door only)

(Dimensions on P.116)

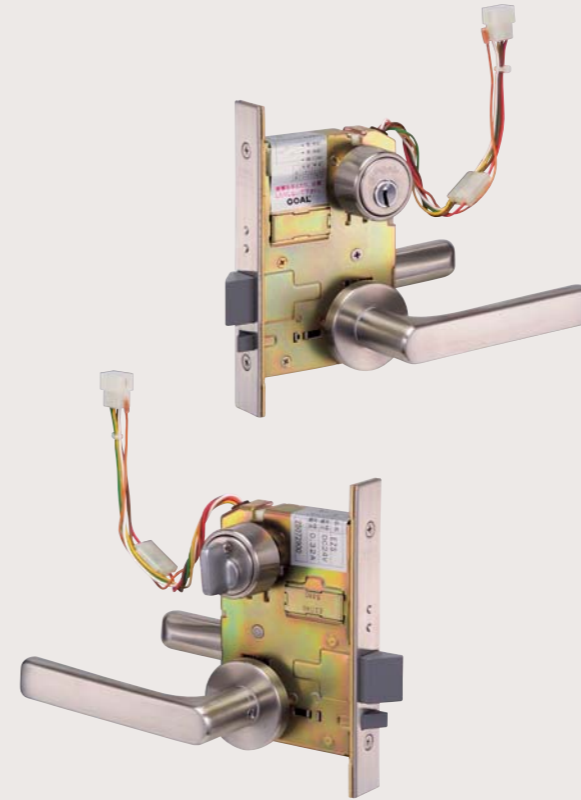
● V-PZKE SK-5 GOF 269 (R) (*hooked dead bolt type)
(photo shows PZKE-5 with V18 cyl., GOF handle, gold, R hand)
(*PZE has normal deadbolt)



Applications Entrance, Office, etc.

(Dimensions on P.117)

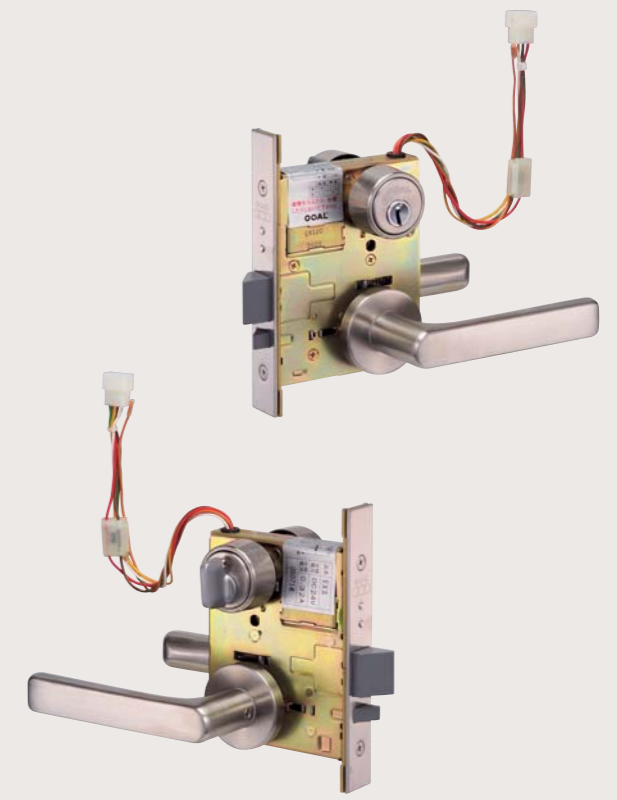
● V-EZS-5NU
(photo shows EZS-5 with V18 cyl., NU handle)



Applications Entrance, Office, etc.

(Dimensions on P.117)

● V-EXS-5NU
(photo shows EXS-5 with V18 cyl., NU handle)



Information

Pin cylinder, Keying system, Function No., To order, etc.

Locks

Push-pull handle lock
Handle designs
PXK, PX, PZK, PZ, PLK, PL, PVKU, PY, PYS

Lever handle lock
Handle designs
AHL, AHL, LGK, LG, LX, LH, HL, LY, LW

Mortise lock
Knob designs
AH, AHP, AS, HS

Integral lock
UC, G

Cylindrical lock
UH, US

Dead lock
LDK, LD, HD, 1502/1503, AHD, AD, GK, GG, HN, ANT

Rim dead lock
MH, MD, MDU

Cremon bolt
CMM

Glass door lock
2510, HDT, CG, AG, BGU

Sliding door lock
SK, PSS, SAK, SN, TSD, AD(B/S600)

Cup handle lock
AHC, ASC, HSTC, UCC, GC

Emergency lock
AHLH, AHH, HSTH, HDH, AHDH

Electric lock & Security system

RF key
Remo. con. key
Ten key pad
KRS, KRC, BTKLX, TKS

Hotel card lock
JCLM, JCL

Electric lock
PXE, PZE, EZS, EXS, EXM, EU, ES, EL, EM, EV, SXE, CMT, CMR, ME

Electric conductor, Control box, Key switch, etc.
RCL, RCB, RSP, KS, ACT

Dimensions

Easy operation and excelling in security, grip handle electric lock.

Electric lock, with locking or unlocking function by instantaneous flow of current.

Compact electric lock for apartment or house entrances.

Features (PXE, PXKE, PZE, PZKE)

- Deadbolt is operated by motor built in the lock case.
- Locked, unlocked by operating the controller or remo-con key or ten key-pad.
- Also can be locked, unlocked by key or thumbturn.
- PXE, PZE...normal deadbolt type
- PXKE, PZKE...hooked deadbolt type
- Easy operation to open the door by just pushing or pulling the handle.
- PXE, PXKE...grip handle type
- PZE, PZKE...bar handle type

Specifications (PXE, PXKE, PZE, PZKE)

	PXKE, PZKE	PXE, PZE
Series	PXKE, PZKE	
Rated voltage	DC24V (Working Volgate 19~27V)	
Rated current	0.2A (Self-cut function is built in the circuit.)	
Micro switch 1	(to detect locked or unlocked) DC24V 0.1A	
Micro switch 2	(to detect the door is closed or opened) DC24V 0.1A	
Controller	RCB-800	
Electric Conductor	RCL-21NV	
Deadbolt	sickle type	normal type
Backset	64mm	
Door thickness (note1)	<ul style="list-style-type: none"> ●PXKE, PXKE...31~34·34~37·37~40·40~43mm ●PZE, PZKE(6,7 pin cyl.)...31~43mm ●PZE, PZKE(V18, GV cyl.)...36~43mm 	
Gap (door and jamb)	not more than 6mm	
Hand	R type, L type (refer to under table)	
Cylinder [symbol] (note2)	6pin[P](standard), 7pin[Z], V18[V], GV[GV]	
Keying system	MK,GMK,GGMK,CNK,etc.available. (ref. P.6~7) (V18,GV...Key change system is available, refer to P.8.) (GV...Universal key system(UKS 2) is available, refer to P.9.)	
Key	3, Nickel-silver	
Handle design (refer to P.11)	<ul style="list-style-type: none"> ●PZE, PZKE(for handle)...GOF ●PXE, PXKE(grip handle)...GOE 	
Finish [symbol]	silver [364], gold[269], umber [80]	
Model	PXE, PXKE, PZE, PZKE-5	

note1: More than above-stated door thickness is available by special spec.
2: When ordering or specifying V18 cylinder, add "V" to model number e.g. V-PXK-5GOE.

Hand of PXE, PXKE, PZE, PZKE (*out-swinging door only)

Hand of lock	R type	L type
Adaptable hand of door		

Features

- Locked or unlocked by instantaneous flow of current.
- Also can be locked or unlocked by key or thumbturn.
- Can be locked automatically by auto-locking mode of controller.
- Can be remote confirm door and lock status.

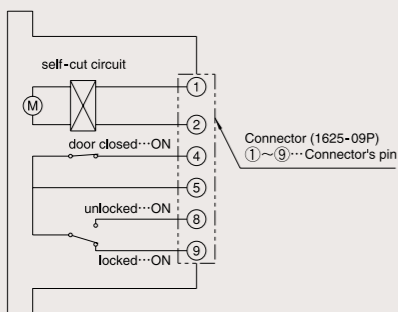
Specifications (EZS, EXS)

	EZS	EXS
Series	EZS	
Rated voltage	DC24V (Working volgate 19~27V)	
Rated current	0.32A (Load duration time ... 0.1sec., duty cycle 1/20)	
Micro switch	(to detect locked or unlocked) DC24V 0.1A	
Reed switch	(to detect the door is closed or opened) DC24V 0.1A	
Controller	RCB-730, 500, JRC-200B (refer to P.66)	
Electric conductor	RCL-21, 21U (refer to P.65)	
Backset	64mm	
Door thickness (note1)	29~33·33~43·43~53mm	
Gap (door and jamb)	not more than 6mm	
Cylinder [symbol] (note2)	6pin[P](standard), 7pin[Z], V18[V], GV[GV]	
Keying system	MK,GMK,GGMK,CNK,etc.available (ref. P.6~7) (V18,GV...Key change system is available, refer to P.8.) (GV...Universal key system(UKS 2) is available, refer to P.9.)	
Key	3, Nickel-silver	
Handle design	NU, KU, TU, ZU type, etc. (refer to P.16~18)	
Model	EZS, EXS-3, 5, 6, 7	

note1: More than above-stated door thickness is available by special spec.
2: When ordering or specifying V18 cylinder, add "V" to model number e.g. V-EZS-5GOE.

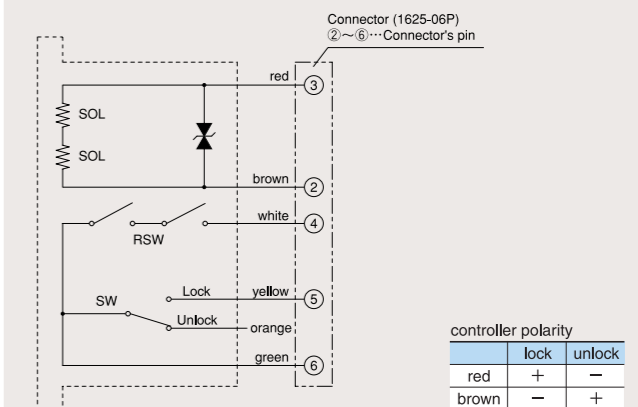
Circuit diagram (PXE, PXKE, PZE, PZKE)

(Shows closed door, locked condition)



EZS, EXS Circuit diagram

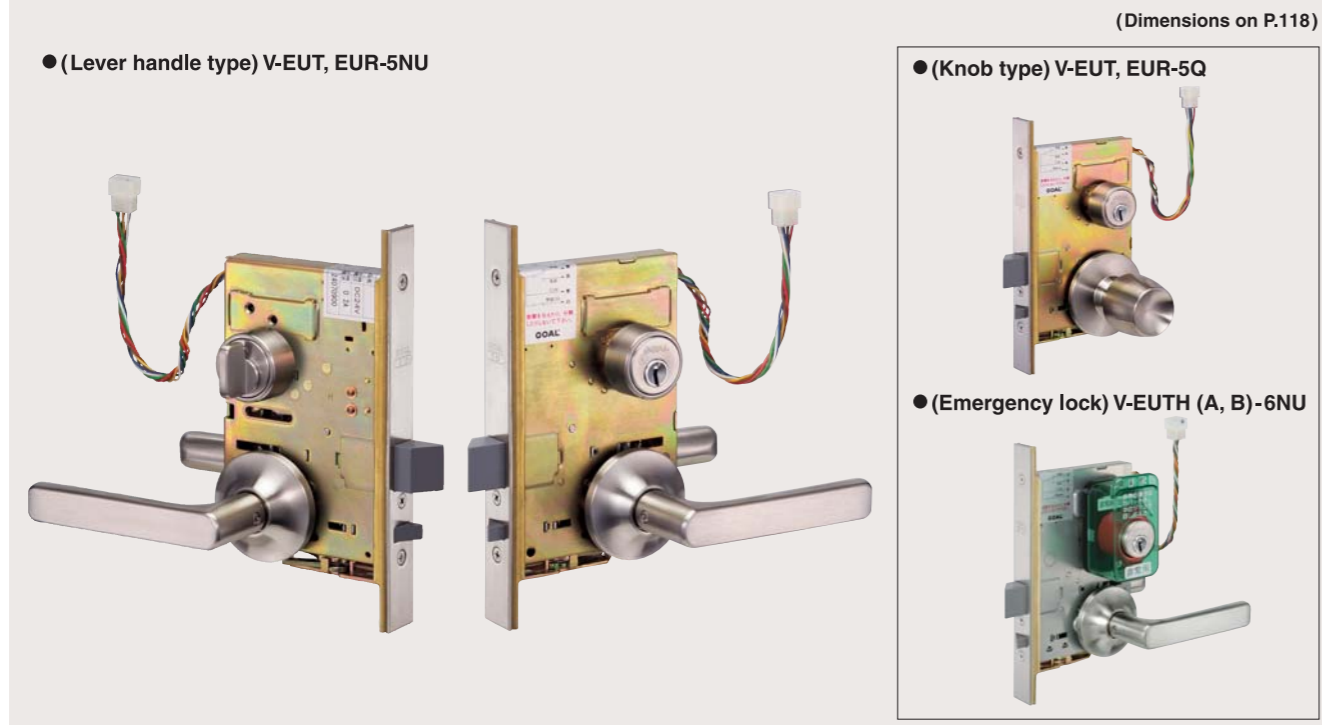
(shows opened door, unlocked condition)



EU

Electric lock can be changed the electric control function and anti-panic function.

Applications Emergency exit door, Entrance door, Interlock door, etc.
(EUR...Locked during a continuous flow of current. EUT...Unlocked during a continuous flow of current.)



Electric lock can be changed the electric control function and anti-panic function, also after installation of the lock on the door.

Features

- Can be changed the electric control function : **R**(Fail safe) type (**EUR**) or **T**(Fail secure) type (**EUT**) also after installation of the lock on the door.
- Can be added the anti-panic function also after installation of the lock on the door too. (**EURP**, **EUTP**)
- Can be used the lever handle or the knob.

<EUR, EURP>

- Locked during a continuous flow of current and unlocked when stop the flow of current.(Fail safe)
- Can be locked automatically by closing door during a continuous flow of current.
- Can be unlocked by key or thumbturn when released.
- When happened a failure of power or other electric trouble, will be unlocked automatically for safety. (Fail safe)
- (EURP)** Inside handle is always operable also in locked position.

<EUT, EUTP>

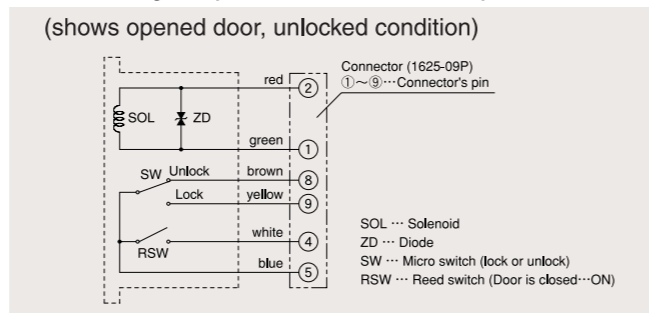
- Unlocked during a continuous flow of current and locked when stop the flow of current. (Fail secure)
- Can be unlocked by key or thumbturn.
- When unlocked by key or thumbturn, remains unlocked until handle is operated. And automatically locked by operating handle.
- (EUTP)** Inside handle is always operable also in locked position.

Specifications

Electric spec.	Rated voltage	DC24V (Working volgate 19~27V)
	Rated current	0.2A (continuous)
	Micro switch	(to detect locked or unlocked) DC24V 0.1A
	Reed switch	(to detect the door is closed or opened) DC24V 0.1A
	Controller	RCB-200, 730, 500 (refer to P.66)
Lock's spec.	Electric conductor	RCL-27 (refer to P.65)
	Backset	76mm
	Door thickness	•29-33-33-38-38-43-43-48-48-53mm (Lever handle) •29-33-33-43-43-53mm (Knob)
	Gap (door and jamb)	not more than 6mm
	Cylinder [symbol] (note2)	6pin[P](standard), 7pin[Z], V18[V], GV[GV]
	Keying system	MK,GMK,GGMK,CNK,etc.available (ref. P.6~7) (V18,GV...Key change system is available, refer to P.8.) (GV...Universal key system(UKS 2) is available, refer to P.9.)
	Key	3, Nickel-silver
	Handle	•Lever handle...NU, KU, TU, etc. (refer to P.16~18) •Knob...Q, Y, K, etc. (refer to P.26)
	Model	EUR, EUT-3, 5, 6, 7, EURP, EUTP-7

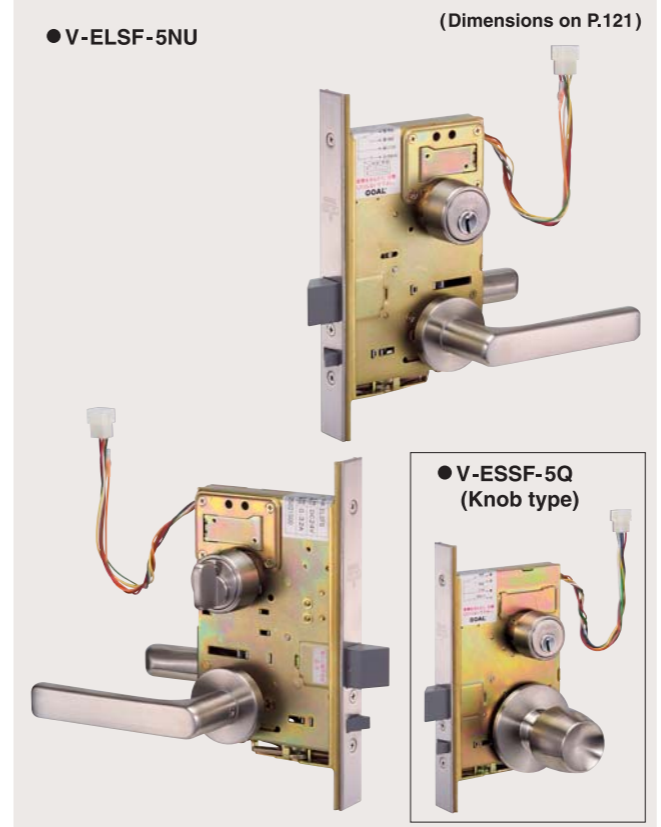
note1 : More than above-stated door thickness is available by special spec.
2: When ordering or specifying V18 cylinder, add "V" to model number e.g. V-EUT-5 .

Circuit diagram (EUR, EURP, EUT, EUTP)

**ELSF
ESSF**

Electric lock ELSF, ESSF (Locked or unlocked by instantaneous flow of current.)

Applications Security system for entrance, interlock door, etc.



Locked or unlocked by instantaneous flow of current.

Features

- Locked or unlocked by instantaneous flow of current.
- Also can be locked or unlocked by key or thumbturn.
- Can be locked automatically by auto-locking mode of controller.
- Can be remote confirm door and lock status.

Specifications (ELSF, ESSF, ELM, ESM)

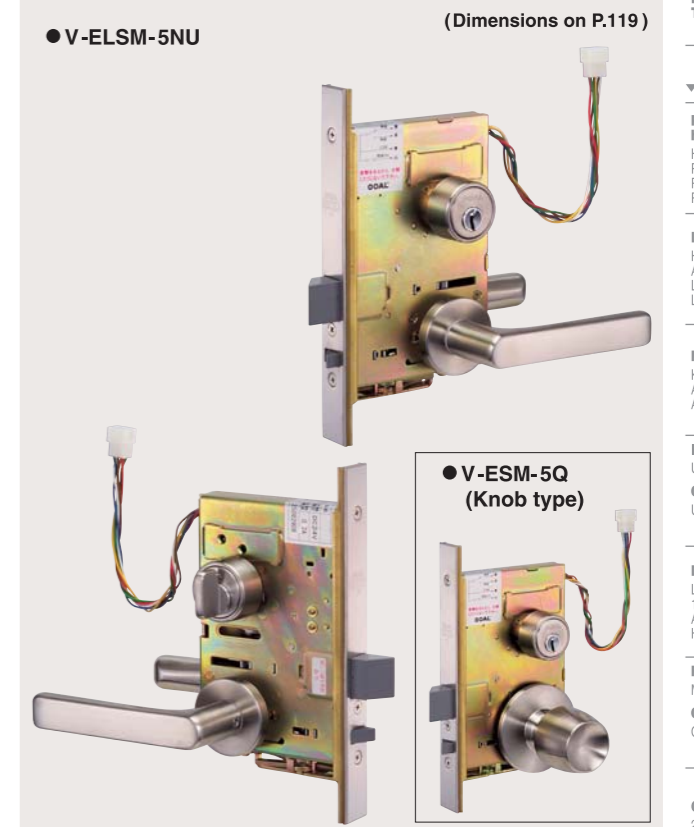
	ELSF, ESSF	ELM, ESM
Series	ELSF, ESSF	ELM, ESM
Rated voltage	DC24V (Working volgate 19~27V)	
Rated current	0.32A (Load duration time 0.2sec., duty cycle 1/20)	0.2A (continuous)
Micro switch	(to detect locked or unlocked) DC24V 0.1A	
Reed switch	(to detect the door is closed or opened) DC24V 0.1A	
Controller (P.66)	RCB-730, 500	RCB-200, 730, 500
Electric conductor	RCL-21, 21U	
Backset	76mm	
Door thickness (note1)	29~33-33-43-43-53mm	
Gap (door and jamb)	not more than 6mm	
Cylinder [symbol] (note2)	6pin[P](standard), 7pin[Z], V18[V], GV[GV]	
Keying system	MK,GMK,GGMK,CNK,etc.available (ref. P.6~7) (V18,GV...Key change system is available, refer to P.8.) (GV...Universal key system(UKS 2) is available, refer to P.9.)	
Key	3, Nickel-silver	
Handle design	•ELSF, ELM...Lever handle. (refer to P.16~18) •ESSF, ESM...Knob. (refer to P.26)	
Model	ELSF,ESSF, ELM, ESM-3, 5, 6, 7	

note1 : More than above-stated door thickness is available by special spec.
2: When ordering or specifying V18 cylinder, add "V" to model number e.g. V-ELM-5NU.

**ELM
ESM**

Electric lock ELM, ESM (Unlocked during a continuous flow of current.)

Applications Security system for entrance, interlock door, etc.

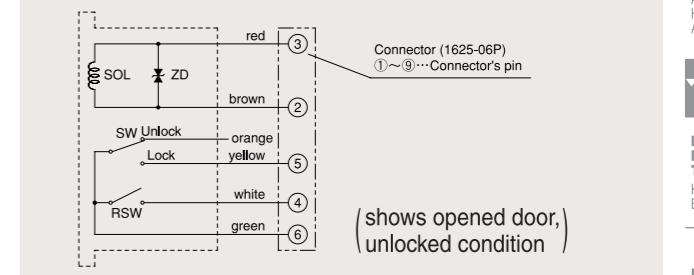


Unlocked during a continuous flow of current and locked when stop the flow of current.

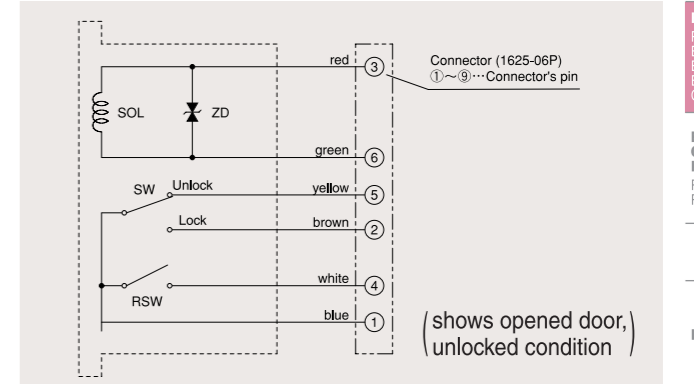
Features

- Also can be unlocked by key or thumbturn.
- Automatically locked when unlocked by key or thumbturn and closed the door.

ELSF, ESSF Circuit diagram



ELM, ESM Circuit diagram



ELT EST Electric lock ELT, EST (Unlocked during a continuous flow of current.)

Applications Emergency exitdoor, interlock door, etc.



Unlocked during continuous flow of current and locked when stop the flow of current.

Features

- Automatically locked when close the door during stop the flow of current.
- Also can be unlocked by key or thumbturn.
- When unlocked by key or thumbturn, remains unlocked state until handle is operated. And automatically locked by operating handle.

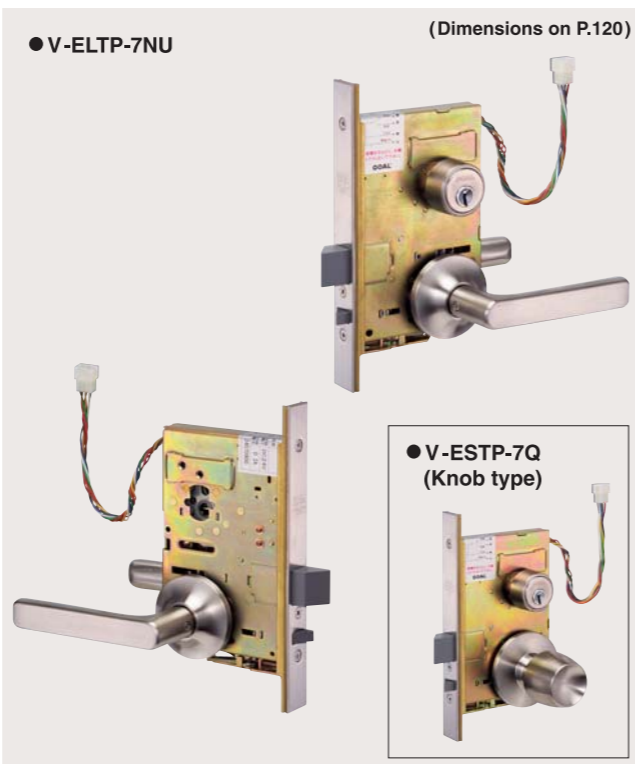
Specifications (ELT, EST, ELTP, ESTP)

Series	ELT, EST	ELTP, ESTP
Rated voltage	DC24V (Working volgate 19~27V)	
Rated current	0.2A (continuous)	
Micro switch	(to detect locked or unlocked) DC24V 0.1A	
Reed switch	(to detect the door is closed or opened) DC24V 0.1A	
Controller	RCB-200, 730, 500 (refer to P.66)	
Electric conductor	RCL-21, 21U (refer to P.65)	
Backset	76mm	
Door thickness	<ul style="list-style-type: none"> •ELT, EST, ESTP...29~33·33~43·43~53mm (note1) •ELTP...29~33·33~38·38~43·43~48·48~53mm 	
Gap (door and jamb)	not more than 6mm	
Hand(ELTP, ESTP)	R type, L type (refer to under table)	
Cylinder [symbol] (note2)	6pin[P](standard), 7pin[Z], V18[V], GV[GV]	
Keying system	MK,GMK,GGMK,CNK,etc.available (ref. P.6~7) (V18,GV...Key change system is available, refer to P.8. GV...Universal key system(UKS 2)is available, refer to P.9.)	
Key	3, Nickel-silver	
Handle	<ul style="list-style-type: none"> •ELT, ELTP...Lever handle. (refer to P.16~18) •EST, ESTP...Knob. (refer to P.26) 	
Finish [symbol]	silver [364], gold [269], umber [80]	
Model	ELT, EST-3, 5, 6, 7, ELTP, ESTP-7	

note1: More than above-stated door thickness is available by special spec.
2: When ordering or specifying V18 cylinder, add "V" to model number e.g. V-ELT-5NU.

ELTP ESTP Electric lock ELTP, ESTP (Furnished with anti-panic device on ELT, EST.)

Applications Emergency exitdoor, interlock door, etc.

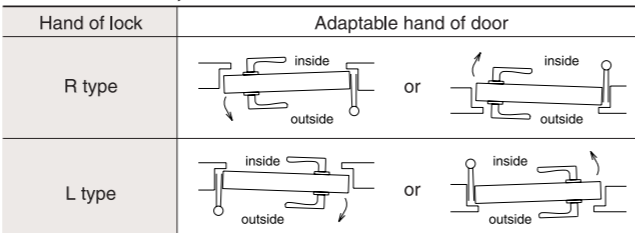


Furnished with anti-panic device on the electric lock ELT, EST.

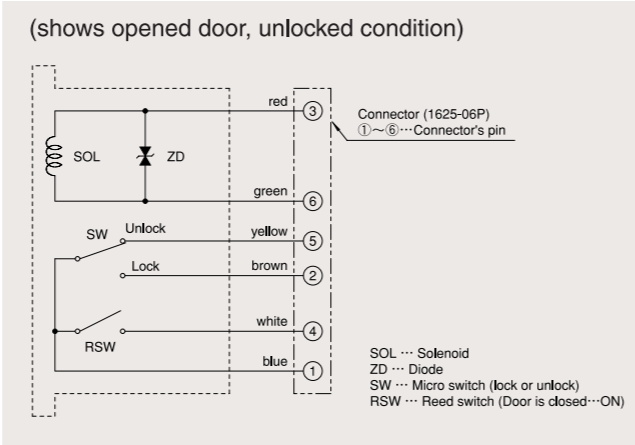
Features

- Inside handle is always operable also in locked state. So can be unlocked and open the door from inside at emergency. (anti-panic device)
- ※ Other features are same as ELT, EST.

Hand of ELTP, ESTP



ELT, EST, ELTP, ESTP Circuit diagram



ELR ESR Electric lock ELR, ESR (Locked during a continuous flow of current.)

Applications Emergency exitdoor, interlock door, etc.



Locked during continuous flow of current and unlocked when stop the flow of current.

Features

- Automatically locked when close the door during the flow of current.
- Also can be unlocked by key or thumbturn.
- When happened a failure of power or other electric tronble, will be automatically unlocked for safety. (Fail safe)

Specifications (ELR, ESR, ELRP, ESRP)

Series	ELR, ESR	ELRP, ESRP
Rated voltage	DC24V (Working volgate 19~27V)	
Rated current	0.2A (continuous)	
Micro switch	(to detect locked or unlocked) DC24V 0.1A	
Reed switch	(to detect the door is closed or opened) DC24V 0.1A	
Controller	RCB-200, 730, 500 (refer to P.66)	
Electric conductor	RCL-21, 21U (refer to P.65)	
Backset	76mm	
Door thickness	<ul style="list-style-type: none"> •ELR, ESR, ESRP...29~33·33~43·43~53mm (note1) •ELRP...29~33·33~38·38~43·43~48·48~53mm 	
Gap (door and jamb)	not more than 6mm	
Hand(ELRP, ESRP)	R type, L type (refer to under table)	
Cylinder [symbol] (note2)	6pin[P](standard), 7pin[Z], V18[V], GV[GV]	
Keying system	MK,GMK,GGMK,CNK,etc.available (ref. P.6~7) (V18,GV...Key change system is available, refer to P.8. GV...Universal key system(UKS 2)is available, refer to P.9.)	
Key	3, Nickel-silver	
Handle	<ul style="list-style-type: none"> •ELR, ELRP...Lever handle. (refer to P.16~18) •ESR, ESRP...Knob. (refer to P.26) 	
Finish [symbol]	silver [364], gold [269], umber [80]	
Model	ELR, ESR-3, 5, 6, 7, ELRP, ESRP-7	

note1: More than above-stated door thickness is available by special spec.
2: When ordering or specifying V18 cylinder, add "V" to model number e.g. V-ELR-5NU.

ELRP ESRP Electric lock ELRP, ESRP (Furnished with anti-panic device on ELR, ESR.)

Applications Emergency exitdoor, interlock door, etc.

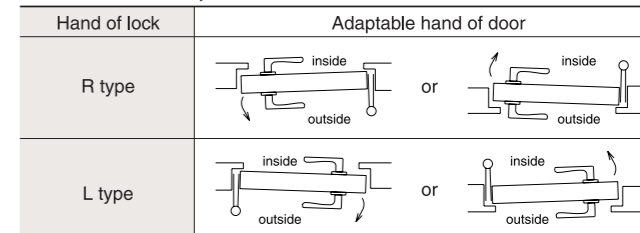


Furnished with anti-panic device on the electric lock ELR, ESR.

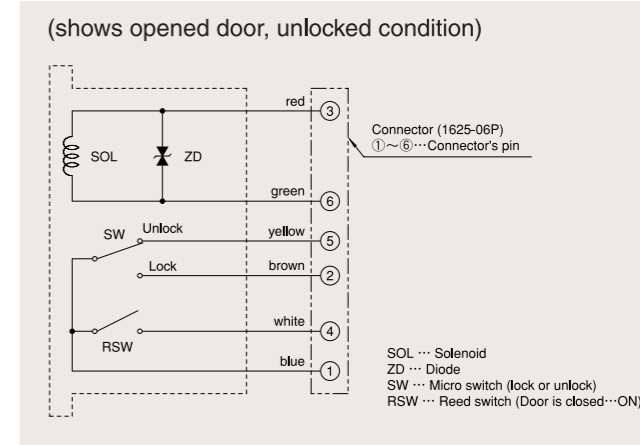
Features

- Inside handle is always operable also in locked state. So can be unlocked and open the door from inside at emergency. (anti-panic device)
- ※ Other features are same as ELR, ESR.

Hand of ELRP, ESRP



ELR, ESR, ELRP, ESRP Circuit diagram



Information

Pin cylinder, Keying system, Function No. To order, etc.

Locks

Push-pull handle lock
Handle designs
PXK, PX, PZK, PZ, PLK, PL, PVKU, PY, PYS

Lever handle lock
Handle designs
AHL, AHL, LGK, LG, LX, LH, HL, LY, LW

Mortise lock
Knob designs
AH, AHP, AS, HS

Integral lock
UC, G

Cylindrical lock
UH, US

Dead lock
LDK, LD, HD, 1502/1503, AHD, AD, GK, GG, HN, ANT

Rim dead lock
MH, MD, MDU
Cremon bolt
CMM

Glass door lock
2510, HDT, CG, AG, BGU

Sliding door lock
SX, PSS, SAK, SN, TSD, AD(B/S600)

Cup handle lock
AHC, ASC, HSTC, UCC, GC

Emergency lock
AHLH, AHH, HSTH, HDH, AHDH

Electric lock & Security system

RF key
Remo. con. key
Ten key pad
KRS, KRC, BTKLX, TKS

Hotel card lock
JCLM, JCL

Electric lock
PXE, PZE, EZS, EXS, EXM, EU, ES, EL, EM, EV, SXE, CMT, CMR, ME

Electric conductor, Control box, Key switch, etc.
RCL, RCB, RSP, KS, ACT

Dimensions

Information

Pin cylinder, Keying system, Function No. To order, etc.

Locks

Push-pull handle lock
Handle designs
PXK, PX, PZK, PZ, PLK, PL, PVKU, PY, PYS

Lever handle lock
Handle designs
AHL, AHL, LGK, LG, LX, LH, HL, LY, LW

Mortise lock
Knob designs
AH, AHP, AS, HS

Integral lock
UC, G

Cylindrical lock
UH, US

Dead lock
LDK, LD, HD, 1502/1503, AHD, AD, GK, GG, HN, ANT

Rim dead lock
MH, MD, MDU
Cremon bolt
CMM

Glass door lock
2510, HDT, CG, AG, BGU

Sliding door lock
SX, PSS, SAK, SN, TSD, AD(B/S600)

Cup handle lock
AHC, ASC, HSTC, UCC, GC

Emergency lock
AHLH, AHH, HSTH, HDH, AHDH

Electric lock & Security system

RF key
Remo. con. key
Ten key pad
KRS, KRC, BTKLX, TKS

Hotel card lock
JCLM, JCL

Electric lock
PXE, PZE, EZS, EXS, EXM, EU, ES, EL, EM, EV, SXE, CMT, CMR, ME

Electric conductor, Control box, Key switch, etc.
RCL, RCB, RSP, KS, ACT

Dimensions

EM Electric dead lock EM (Locked or unlocked by motor.)

Information

Pin cylinder, Keying system, Function No. To order, etc.

Locks

Push-pull handle lock
Handle designs
PXK, PX, PZK, PZ, PLK, PL, PVKU, PY, PYS

Lever handle lock
Handle designs
AHL, AHL, LGK, LG, LX, LH, HL, LY, LW

Mortise lock
Knob designs
AH, AHP, AS, HS

Integral lock
UC, G

Cylindrical lock
UH, US

Dead lock
LDK, LD, HD, 1502/1503, AHD, AD, GK, GG, HN, ANT

Rim dead lock
MH, MD, MDU

Cremon bolt
CMM

Glass door lock
2510, HDT, CG, AG, BGU

Sliding door lock
SX, PSS, SAK, SN, TSD, AD(B/S600)

Cup handle lock
AHC, ASC, HSTC, UCC, GC

Emergency lock
AHLH, AHH, HSTH, HDH, AHDH

Electric lock & Security system

RF key
Remo. con. key
Ten key pad
KRS, KRC, BTKLX, TKS

Hotel card lock
JCLM, JCL

Electric lock
PXE, PZE, EZS, EXS, EXM, EU, ES, EL, EM, EV, SXE, CMT, CMR, ME

Electric conductor, Control box, Key switch, etc.
RCL, RCB, RSP, KS, ACT

Dimensions

Applications Security system for buildings and houses, interlock door, etc.



note: Lateral pressure against deadbolt should be under 49N (5kgf).

Locked or unlocked by electric motor power.

Features

- Motor built-in the lock case operates dead-bolt.
- Can be locked or unlocked also by key or thumbturn.
- Can be operated by key or thumbturn even if dead-bolt stops halfway in power failure.

Specifications (EM, EMSX)

Series	EM	EMSX (water proof)
Rated voltage	DC24V (Working volgate 19~27V)	
Rated current	0.2A (Self-cut function is built in the circuit) (Power's capacity is need more than 0.5A)	
Micro switch	(to detect locked or unlocked) DC24V 0.1A	
Reed switch	(to detect the door is closed or opened) DC24V 0.1A	
Controller	RCB-730, 500, JRC-200B (refer to P.66)	
Electric conductor	RCL-21, 21U (refer to P.65)	
Backset	38, 51, 64, 76mm	51mm
Door thickness (note1)	29~43 / 43~53mm	(ref. side table)
Gap (door and jamb)	not more than 6mm	
Cylinder [symbol] (note2)	6pin[P](standard), 7pin[Z], V18[V], GV[GV] MK,GMK,GGMK,CNK,etc.available (ref. P.6~7) V18,GV---Key change system is available, refer to P.8. GV---UKS 2 is available, refer to P.9. GV---UKS 2 is not available.	
Keying system		
Key	3, Nickel-silver	
Model	EM-3, 5, 6, 7	EMSX-5, 6, 7

note1: More than above-stated door thickness is available by special spec.
2: When ordering or specifying V18 cylinder, add "V" to model number e.g. V-EM-5.

EMSX Electric dead lock with water proof function EMSX (Locked or unlocked by motor.)

Applications Security system for buildings and houses, interlock door, etc.



note: Lateral pressure against deadbolt should be under 49N (5kgf).

Locked or unlocked by electric motor power and furnished with water proof function.

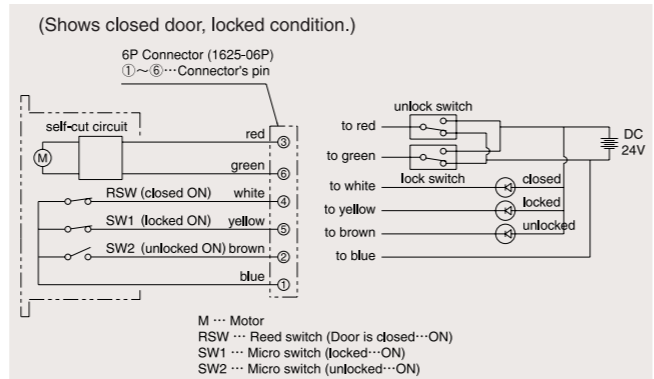
Features

- Furnished with water proof function on EM.
- Another features are same as EM.
- note1: Backset is 51mm only.
- 2: Cylinder and thumbturn are should be installed to downward on the door as shown photos.
- So door preparation to install is differ from EM

EMSX (Water proof type) door thicknes.

Cylinder and model	Door thicknes
P, Z-EMSX-5, 7	30~55mm
P, Z-EMSX-6	37~57mm
V, GV-EMSX-5, 7	30~53mm
V, GV-EMSX-6	30~50mm

EM, EMSX Circuit diagram



EV Electric dead lock EV (Locked or unlocked by motor.)

Applications Security system for buildings and houses, interlock door, etc.



Caution: Should be used no lateral pressure against dead bolt.

Compact electric dead lock for apartment or house entrance.

Features

- Locked or unlocked by electric motor power.
- Can be locked or unlocked also by key or thumbturn.
- Compact lock body is ideal for apartment or house entrance door.

Specifications (EV, SXE)

Series	EV	SXE
Rated voltage	DC24V (Working volgate 19~27V)	
Rated current	0.2A (Self-cut function is built in the circuit.) (Power's capacity need more than 0.5A)	
Micro switch 1	(to detect locked or unlocked) DC24V 0.1A	
Micro switch 2	(to detect the door is closed or opened) DC24V 0.1A	
Controller (refer to P.66)	JRC-200B, RCB-800	JRC-200B, RCB-730, 500
Electric conductor	RCL-21NV (P.65)	RCL-6FB (P.65)
Backset	64mm	51mm
Door thickness (note1)	• 6, 7 pin cyl...34~44mm • V18, GV cyl...33~43mm	29~43 / 43~53mm
Gap (door and jamb)	not more than 6mm	
Cylinder [symbol] (note2)	6pin[P](standard), 7pin[Z], V18[V], GV[GV] MK,GMK,GGMK,CNK,etc.available (ref. P.6~7) V18,GV---Key change system is available, refer to P.8. GV---Universal key system(UKS 2)is available, refer to P.9.	
Keying system		
Key	3, Nickel-silver	
Model	EV-5	SXE-3, 5, 6, 7

note1: More than above-stated door thickness is available by special spec.
2: When ordering or specifying V18 cylinder, add "V" to model number e.g. V-SXE-5.

SXE SXES Electric dead lock for sliding door SXE (Locked or unlocked by motor.)

Applications Security system for buildings and houses, interlock door, etc.



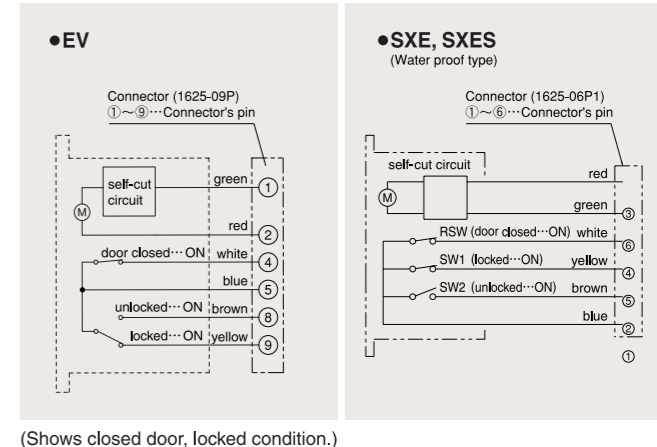
Caution: 1. Lateral pressure against dead bolt should be under 19.6N (2kgf).
2. Water proof type SXES's appearance is differ from SXE, so preparation of door is differ from SXE too.

Electric dead lock for sliding door.

Features

- Locked or unlocked by electric motor power.
- Can be locked or unlocked also by key or thumbturn.
- Excelling in security and durability.
- Water proof type SXES is available.

Circuit diagram



(Shows closed door, locked condition.)

Information

Pin cylinder, Keying system, Function No. To order, etc.

Locks

Push-pull handle lock
Handle designs
PXK, PX, PZK, PZ, PLK, PL, PVKU, PY, PYS

Lever handle lock
Handle designs
AHL, AHL, LGK, LG, LX, LH, HL, LY, LW

Mortise lock
Knob designs
AH, AHP, AS, HS

Integral lock
UC, G

Cylindrical lock
UH, US

Dead lock
LDK, LD, HD, 1502/1503, AHD, AD, GK, GG, HN, ANT

Rim dead lock
MH, MD, MDU

Cremon bolt
CMM

Glass door lock
2510, HDT, CG, AG, BGU

Sliding door lock
SX, PSS, SAK, SN, TSD, AD(B/S600)

Cup handle lock
AHC, ASC, HSTC, UCC, GC

Emergency lock
AHLH, AHH, HSTH, HDH, AHDH

Electric lock & Security system

RF key
Remo. con. key
Ten key pad
KRS, KRC, BTKLX, TKS

Hotel card lock
JCLM, JCL

Electric lock
PXE, PZE, EZS, EXS, EXM, EU, ES, EL, EM, EV, SXE, CMT, CMR, ME

Electric conductor, Control box, Key switch, etc.
RCL, RCB, RSP, KS, ACT

Dimensions

CMT, CMR Electric cremon lock CMT, CMR

(CMT...unlocked during a continuous flow of current)
(CMR...locked during a continuous flow of current)

Applications Security system for buildings and houses, interlock door, etc.



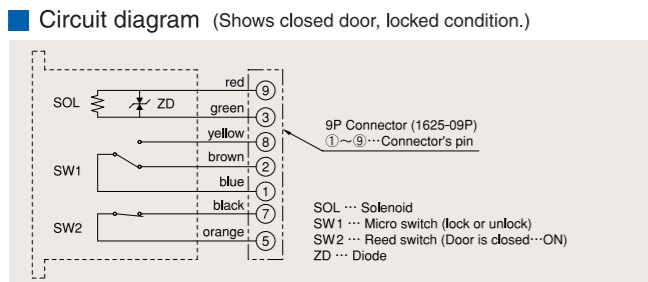
Electric cremon lock can be locked or unlocked by continuous flow of current.

- Features**
- Can be locked or unlocked by continuous flow of current.
 - Handle is fixed at locked state and operable at unlocked and door is closed state.
 - Dead bolt and upper and lower rods are projected by handle, so door is locked tightly.
 - Can be locked or unlocked also by key or thumbturn.

Specifications

Rated voltage	DC24V (Working volgate 19~27V)
Rated current	0.2A (continuous)
Micro switch	(to detect locked or unlocked) DC24V 0.1A
Reed switch	(to detect the door is closed or opened) DC24V 0.1A
Controller	RCB-200, 500, 730 (refer to P.66)
Electric conductor	RCL-28G
Backset	64mm
Door thickness (note1)	29~33 • 33~43 • 43~53mm
Gap (door and jamb)	not more than 6mm
Cylinder [symbol] (note2)	6pin[P](standard), 7pin[Z], V18[V], GV[GV]
Keying system	MK,GMK,GGMK,CNK,etc.available (ref. P.6~7) (V18,GV...Key change system is not available.) (GV...Universal key system(UKS 2)is not available.)
Key	3, Nickel-silver
Model	CMT, CMR-1, 3, 5, 6, 7

note1: More than above-stated door thickness is available by special spec.
2: When ordering or specifying V18 cylinder, add "V" to model number e.g. V-CMR-5.



ME Electric rim dead lock ME

(Locked or unlocked by electric motor power.)

Applications Security system for buildings and houses, interlock door, etc.



Electric rim dead lock can be locked or unlocked by remo-con key.

- Features**
- Can be locked or unlocked by pushing button on remo-con key.
 - Informed right access by buzzer.
 - Can be locked automatically.
 - Power life of dry cell in remo-con key is more than 4 years.

Specifications

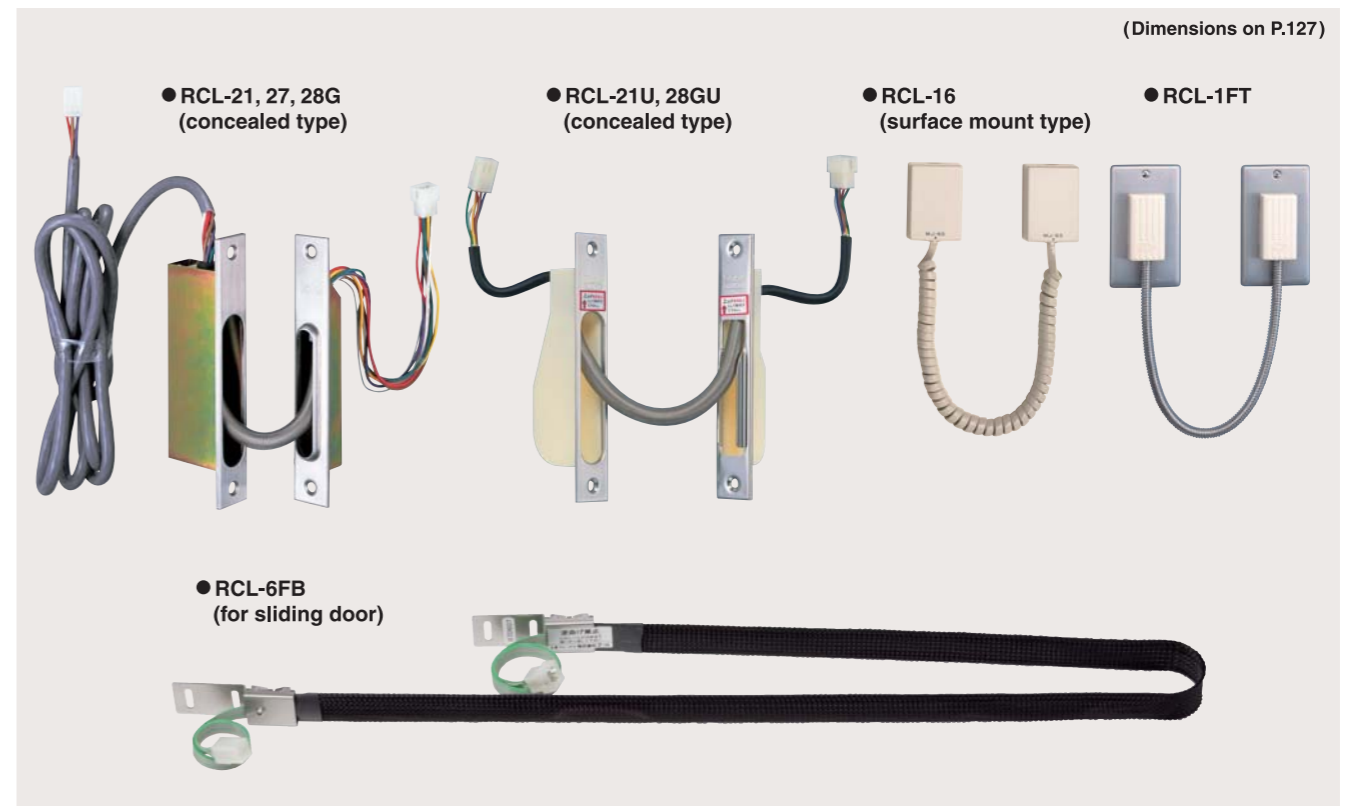
Rated voltage	DC24V (Working volgate 19~28.8V)
Rated current	0.15A
Switch	(to detect locked or unlocked) DC30V 0.1A
Door thickness (note1)	30~50mm
Cylinder [symbol] (note2)	V18[V], GV[GV]
Keying system	MK,GMK,GGMK,CNK,etc.available, refer to P.7. (V18,GV...Key change system is available, refer to P.8.) (GV...Universal key system(UKS 2)is available, ref. P.9.)
Key	3, Nickel-silver
Model	ME-5

note1: More than above-stated door thickness is available by special spec.
2: When ordering or specifying V18 cylinder, add "V" to model number e.g. V-ME-5.

RCL Electric conductor for electric lock

RCL-21 series (concealed type), RCL-16, 1FT (surface mount type), RCL-6FB (for sliding door)

Applications Electric conductor for electric lock.



Electric conductor for electric lock installed in the door from controller.

Specifications

Consealed type RCL-21, 21U, 27, 28G, 28GU, 21NV

Series	Number of wire	Length of wire (mm)		Front plate	Case	Wire (heat-proof)	Usable electric lock
		Door side	Jamb side				
RCL-21	6	2,000	150	Stainless steel (SUS304)	Steel	UL-2586 AWG24 (11/0.16)	● Dead lock type EM, EMSX, SXE (P.62, 63) ● Lever handle lock type EZS, EXS, EL series (P.57~61) ● Case lock (knob) type ES series (P.59~61)
RCL-21U	6	100 (note)	150		Plastics (ABS)	UL-2586 AWG24 (11/0.16)	● Dead lock type EMV, EMVSX, EV, SXEV (P.62, 63) ● Push-pull handle lock type PXE, PXKE, PZE, PZKE (P. 56) ● Lever handle lock and case lock type (Electric function is changeable) EU series (P. 58)
RCL-27	7	2,000	150		Steel	UL-2586 AWG24 (11/0.16)	● Cremon bolt lock type CMT, CMR (P. 64)
RCL-28G	8	2,000	150		Plastics (ABS)	UL-2095 AWG22 (13/0.18)	● Dead lock type EV (P.63) ● Push-pull handle lock type PXE, PXKE, PZE, PZKE (P. 56)
RCL-28GU	8	100 (note)	150	Plastics (ABS)	NSKVG (VCTF) 0.3mm ² (27/0.12)	● Dead lock type EV (P.63) ● Push-pull handle lock type PXE, PXKE, PZE, PZKE (P. 56)	
RCL-21NV	6	2,300	150				

note: Please use the extension cord as occasion calls.

Surface mount type RCL-16, 1FT

Series	Number of wire	Length of wire (mm)	Wire	Case	Usable electric lock
RCL-16	6	300~600	PVC (20/0.1)	Plastics (ABS)	(Same as those above RCL-21, 21U)
RCL-1FT (furnished with plate)	8	400	covered with stainless spiral tube	almi.	(All electric lock as those above.)
RCL-1FT (furnished with plate) and conector	8	400			

RCL-6FB (For sliding door.)

RCL-6FB	Electric conductor for sliding door. So usable for electric sliding door lock SXE. (refer to P.63)
---------	--

Information

Pin cylinder, Keying system, Function No. To order, etc.

Locks

Push-pull handle lock
Handle designs
PXK, PX, PZK, PZ, PLK, PL, PVKU, PY, PYS

Lever handle lock
Handle designs
AHL, AHL, LGK, LG, LX, LH, HL, LY, LW

Mortise lock
Knob designs
AH, AHP, AS, HS

Integral lock
UC, G

Cylindrical lock
UH, US

Dead lock
LDK, LD, HD, 1502/1503, AHD, AD, GK, GG, HN, ANT

Rim dead lock
MH, MD, MDU

Cremon bolt
CMM

Glass door lock
2510, HDT, CG, AG, BGU

Sliding door lock
SX, PSS, SAK, SN, TSD, AD(B/S600)

Cup handle lock
AHC, ASC, HSTC, UCC, GC

Emergency lock
AHL, AHP, HSTH, HDH, AHDH

Electric lock & Security system

RF key Remo-con. key Ten key pad
KRS, KRC, BTKLX, TRS

Hotel card lock
JCLM, JCL

Electric lock
PXE, PZE, EZS, EXS, EXM, EU, ES, EL, EM, EV, SXE, CMT, CMR, ME

Electric conductor, Control box, Key switch, etc.
RCL, RCB, RSP, KS, ACT

Dimensions

Information

Pin cylinder, Keying system, Function No. To order, etc.

Locks

Push-pull handle lock
Handle designs
PXK, PX, PZK, PZ, PLK, PL, PVKU, PY, PYS

Lever handle lock
Handle designs
AHL, AHL, LGK, LG, LX, LH, HL, LY, LW

Mortise lock
Knob designs
AH, AHP, AS, HS

Integral lock
UC, G

Cylindrical lock
UH, US

Dead lock
LDK, LD, HD, 1502/1503, AHD, AD, GK, GG, HN, ANT

Rim dead lock
MH, MD, MDU

Cremon bolt
CMM

Glass door lock
2510, HDT, CG, AG, BGU

Sliding door lock
SX, PSS, SAK, SN, TSD, AD(B/S600)

Cup handle lock
AHC, ASC, HSTC, UCC, GC

Emergency lock
AHL, AHP, HSTH, HDH, AHDH

Electric lock & Security system

RF key Remo-con. key Ten key pad
KRS, KRC, BTKLX, TRS

Hotel card lock
JCLM, JCL

Electric lock
PXE, PZE, EZS, EXS, EXM, EU, ES, EL, EM, EV, SXE, CMT, CMR, ME

Electric conductor, Control box, Key switch, etc.
RCL, RCB, RSP, KS, ACT

Dimensions

RCB RSP Controller RCB-200, 730, 500 series, etc. Operation panel RSP-410U, 410UH, 800, 200B

Applications Control of electric lock



Caution : These products are should be used at indoors.

Controller is available to control electric lock and can be confirmed that lock is locked or unlocked and door is opened or closed.

Specifications

Series	JRC-200B	RCB-800	RCB-200	RCB-730	RCB-500 series (RCB-501~515)
Main power	AC100V (50/60Hz)	AC100V (50/60Hz)	AC100V (50/60Hz)	AC100V (50/60Hz)	AC100V (50/60Hz)
Consumption power	Max. 11VA	Max. 3.5VA	Max. 10VA	Max. 10VA	Max. 300VA
Connectable circuit	1	1	1	1	1~15
Controlable electric lock	<ul style="list-style-type: none"> Push-pull handle lock (PXE, PXKE, PZE, PZKE) (P.56) Dead lock (EV) (P.63) 		<ul style="list-style-type: none"> EUR, EUT (P.58) ELM, ELR, ELT (P.59~61) ESM, ESR, EST (P.59~61) 	<ul style="list-style-type: none"> Lever handle lock (EXS, EZS) (P.57) Lever handle lock (EUR, EUT, ELSF, ELM, ELR, ELT) (P.58~61) Case lock (knob type) (EUR, EUT, ESSF, ESM, ESR, EST) (P.58~61) Dead lock (EM, EMSX, SXE) (P.62, 63) 	
Connectable operation panel	RSP-200B	RSP-800	RSP-200B	RSP-410 RSP-410UH (holdable unlocked state)	
Size (mm) (W×H×T)	116×120×8.6	91×190×64	125×190×65	154×272×65	(RCB-501~505) 400×300×120 (RCB-506~510) 400×550×120 (RCB-511~515) 400×800×120

Information

Pin cylinder, Keying system, Function No. To order, etc.

Locks

Push-pull handle lock
Handle designs PXK, PX, PZK, PZ, PLK, PL, PVKU, PY, PYS

Lever handle lock
Handle designs AHL, AHL, LGK, LG, LX, LH, HL, LY, LW

Mortise lock
Knob designs AH, AHP, AS, HS

Integral lock UC, G

Cylindrical lock UH, US

Dead lock LDK, LD, HD, 1502/1503, AHD, AD, GK, GG, HN, ANT

Rim dead lock MH, MD, MDU
Cremon bolt CMM

Glass door lock 2510, HDT, CG, AG, BGU

Sliding door lock SX, PSS, SAK, SN, TSD, AD(B/S600)

Cup handle lock AHC, ASC, HSTC, UCC, GC

Emergency lock AHLH, AHH, HSTH, HDH, AHDH

Electric lock & Security system

RF key Remo. con. key Ten key pad KRS, KRC, BTKLX, TKS

Hotel card lock JCLM, JCL

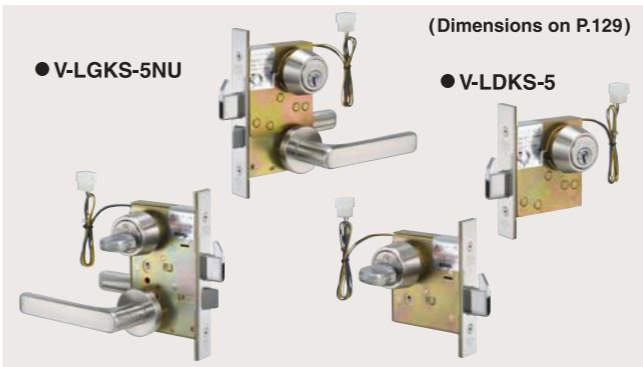
Electric lock PXE, PZE, EZS, EXS, EXM, EU, ES, EL, EM, EV, SXE, CMT, CMR, ME

Electric conductor, Control box, Key switch, etc. RCL, RCB, RSP, KS, ACT

Dimensions

LGKS LDKS Lock built-in switch to set the security system LGKS, LDKS

Applications Security system



Can be to set on or set off the security system by key from outside when locked or unlocked.

Specifications

Series	LGKS	LDKS
Backset	64mm	
Door thickness	33~43 · 43~53mm	
Gap (door and jamb)	not more than 6mm	
Cylinder [symbol]	V18[V] (standard), GV[GV]	
Switch	DC30V 0.1A	
Electric conductor	RCL-21NV (refer to P.65)	

※ Furnished with the switch on the mortise lock LGK, LDK excelling in security and durability. (refer to P.22, 32)

ACT Strike built-in switch ACT series

Applications Security system



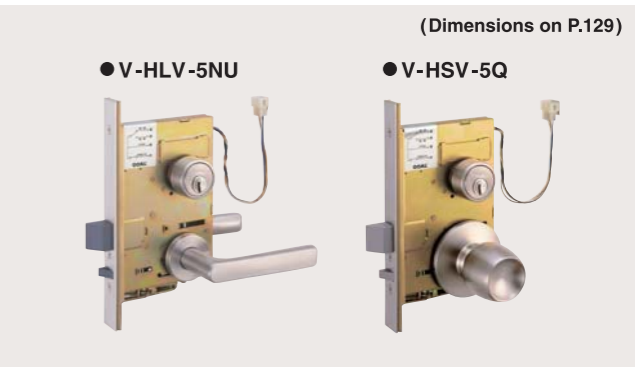
Remote confirmation is possible the lock is locked or unlocked by switch built-in the strike.

Specifications

Series	ACT-3CN (water proof type)	ACT-3W (double switch type)	ACT-2 (for sliding door lock)
Usable lock	<ul style="list-style-type: none"> Lever handle lock LG, LX (P.22, 23) Case lock (knob type) AH, AS (P.27, 28) Integral lock UC (P.29) Dead lock LD, LH, 1502/1503 (P.32, 33) 		<ul style="list-style-type: none"> Sliding door lock SX, PSS (P.40)
Gap	5mm under		
Switch	DC30V 0.1A	DC30V 1A	DC30V 1A
Length of wire (heat proof type)	200mm	500mm	500mm
Connector	furnished with (molex 1625-06P)	not furnished	not furnished

HLV HSV Lock built-in switch to confirm the lock's state HLV, HSV

Applications Security system



Remote confirmation is possible that the lock is locked or unlocked.

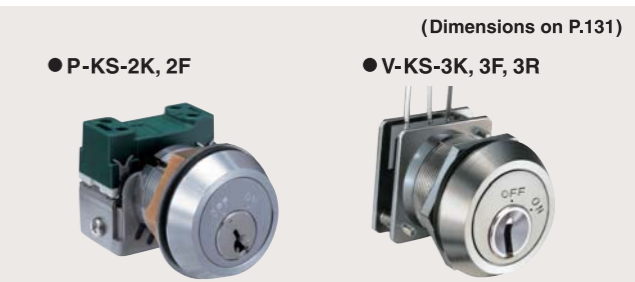
Specifications

Series	HLV	HSV
Backset	76mm	
Door thickness	29~33 · 33~43 · 43~53mm	
Gap (door and jamb)	not more than 6mm	
Cylinder [symbol]	6pin[P] (standard), 7pin[Z], V18[V], GV[GV]	
Switch	(to detect locked or unlocked) DC24V 0.1A (to detect the door is closed or opened) DC24V 0.1A	
Electric conductor	RCL-21, 21U (refer to P.65)	

※ Furnished with the switch on the mortise lock HL, HS excelling in security and durability. (refer to P.24, 28)

KS Key switch KS series

Applications Operation of various power sources.



Electric circuit can be opened or closed with a key.

Specifications

Series	KS-2K	KS-2F	KS-3K	KS-3R	KS-3F	KS-5
Curent	Alternating current		Direct current			
Switch	max AC 300V 15A		DC30V 1A (max 3A)		DC30V 0.1A	
Cylinder [symbol]	6pin [P] 7pin [Z] V18 [V]	6pin [P] 7pin [Z]	6pin [P], 7pin [Z] V18 [V], GV [GV]	6pin [P] 7pin [Z]	V18 [V] GV [GV]	
Keying system	keyed alike system [KA] only		keyed alike system [KA] only		keyed alike system [KA] only	
Applications	Hotel room power supply, etc. (for energy conservation)	Ordinary AC power supplies	Elevators, etc.	Alarm systems, etc.	Automatic doors for common entrances to apartments, condominiums, etc.	Home security system

Information

Pin cylinder, Keying system, Function No. To order, etc.

Locks

Push-pull handle lock
Handle designs PXK, PX, PZK, PZ, PLK, PL, PVKU, PY, PYS

Lever handle lock
Handle designs AHL, AHL, LGK, LG, LX, LH, HL, LY, LW

Mortise lock
Knob designs AH, AHP, AS, HS

Integral lock UC, G

Cylindrical lock UH, US

Dead lock LDK, LD, HD, 1502/1503, AHD, AD, GK, GG, HN, ANT

Rim dead lock MH, MD, MDU
Cremon bolt CMM

Glass door lock 2510, HDT, CG, AG, BGU

Sliding door lock SX, PSS, SAK, SN, TSD, AD(B/S600)

Cup handle lock AHC, ASC, HSTC, UCC, GC

Emergency lock AHLH, AHH, HSTH, HDH, AHDH

Electric lock & Security system

RF key Remo. con. key Ten key pad KRS, KRC, BTKLX, TKS

Hotel card lock JCLM, JCL

Electric lock PXE, PZE, EZS, EXS, EXM, EU, ES, EL, EM, EV, SXE, CMT, CMR, ME

Electric conductor, Control box, Key switch, etc. RCL, RCB, RSP, KS, ACT

Dimensions

Contents of Dimensions

1. Push-pull handle lock
 - P XK, PX, P ZK, P Z, P VKU, P LK, P L, P Y series ————— **P.69~74**
2. Mortise lever handle lock
 - Lever handle and Escutcheon designs ————— **P.75, 76**
 - AHL, AHL P, LGK, LG, LX, LH, HL, HLP, HLT, HLTP, LY series ————— **P.77~82**
3. Mortise lock
 - AH, AHP, AS, HS, HSP, HST, HSTP series ————— **P.83, 84**
4. Integral lock & Cylindrical lock
 - UC, G series ————— **P.85**
 - UH, US series ————— **P.86**
5. Dead lock
 - Mortise dead lock
LDK, LD, HD, 1502/1503, LXD, AHD, HN, GG, GK series ————— **P.87~94**
 - Tubular dead lock AD, ANT series ————— **P.89, 90**
 - Rim dead lock MH, MDU series ————— **P.91, 92**
 - Cremont bolt lock CMM series ————— **P.95**
6. Glass door lock
 - 2510, HDT, CG, AG, BGU series ————— **P.96~98**
7. Sliding door lock
 - SX, PSS, SAK, SN, TSD, AD (B/S 600) series ————— **P.99~102**
8. Cup handle lock
 - AHC, ASC, ASCL, HSTC, UCC, GC series ————— **P.103,104**
9. Emergency lock & Knob or Thumbturn cover
 - LGH (A, B), LDH (A, B), AHLH, AHH, HDH series ————— **P.105~108**
10. Electric lock & Security systems
 - Non-touck key lock system KRS, KRC ————— **P.109,110**
 - Ten keypad lock system TKS, BTKLX, BZSTK ————— **P.110,111**
 - Hotel card lock JCLM, JCL series ————— **P.112~114**
 - Push-pull handle lock PXKE, PXE, PZKE, PZE ————— **P.115,116**
 - Mortise lock EZS, EXS, EU, ES · EL series ————— **P.117~121**
 - Mortise dead lock EM, SXE, EV series ————— **P.122~124**
 - Cremont bolt lock CMT, CMR ————— **P.125**
 - Rim dead lock ME ————— **P.126**
 - Electric conductor RCL, Controller RCB series ————— **P.127~128**
 - Lock built-in switch LGKS, LDKS, HLV, HSV series ————— **P.129**
 - Strike built-in switch ACT series ————— **P.130**
 - Key switch KS series ————— **P.131**

PXK Push-pull handle lock PXK(hooked deadbolt), PX(normal deadbolt)

Text P.13

Series	Cylinder [symbol]	Function No.	Hand	Backset	D.T (Door thickness)
PXK	6pin [P] (standard) 7pin [Z] V18 [V]	5	R type L type	64mm	31~34·34~37· 37~40·40~43mm
PX	GV [GV]				

Information

Pin cylinder, Keying system, Function No. To order, etc.

Locks

Push-pull handle lock

Handle designs
P XK, P X, P ZK, P Z, P LK, P L, P VKU, P Y, P YS

Lever handle lock

Handle designs
AHL, AHL P, LGK, LG, LX, LH, HL, LY, LW

Mortise lock

Knob designs
AH, AHP, AS, HS

Integral lock

UC, G

Cylindrical lock

UH, US

Dead lock

LDK, LD, HD, 1502/1503, AHD, AD, GK, GG, HN, ANT

Rim dead lock

MH, MD, MDU

Cremont bolt

CMM

Glass door lock

2510, HDT, CG, AG, BGU

Sliding door lock

SX, PSS, SAK, SN, TSD, AD(B/S600)

Cup handle lock

AHC, ASC, HSTC, UCC, GC

Emergency lock

AHLH, AHH, HSTH, HDH, AHDH

Electric lock & Security system

RF key
Remo. con. key
Ten key pad
KRS, KRC, BTKLX, TRS

Hotel card lock

JCLM, JCL

Electric lock

PXE, PZE, EZS, EXS, EXM, EU, ES, EL, EM, EV, SXE, CMT, CMR, ME

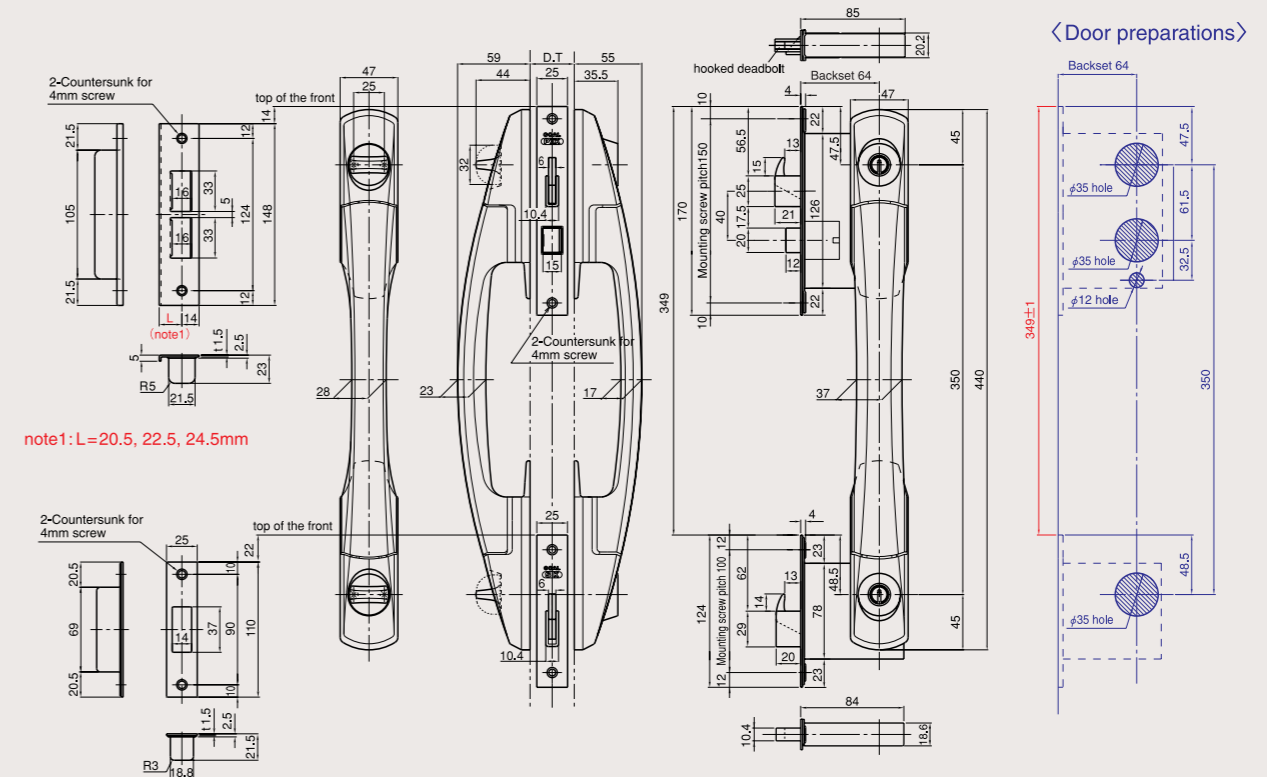
Electric conductor, Control box, Key switch, etc.

RCL, RCB, RSP, KS, ACT

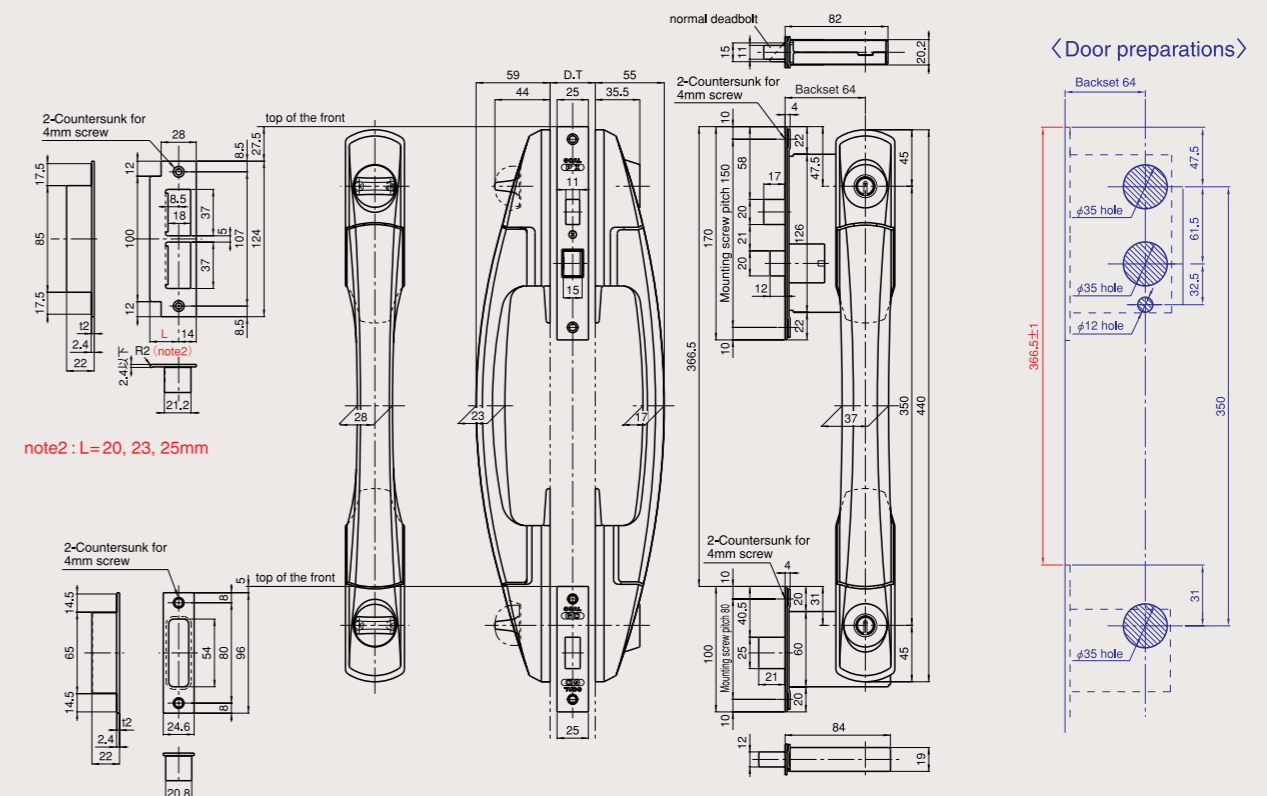
Dimensions (unit : mm)

● V-PXK SK-5 GOE (R) <shown V18 cyl., GOE type handle, R type hand>

※ PXK can be furnished with GOP, GON type handle. But GOP, GON type handle's are usable on outswinging door only and door preparation is differ from it of GOE type handle.



● V-PX GDT-5 GOE (R) <shown V18 cyl., GOE type handle, R type hand>



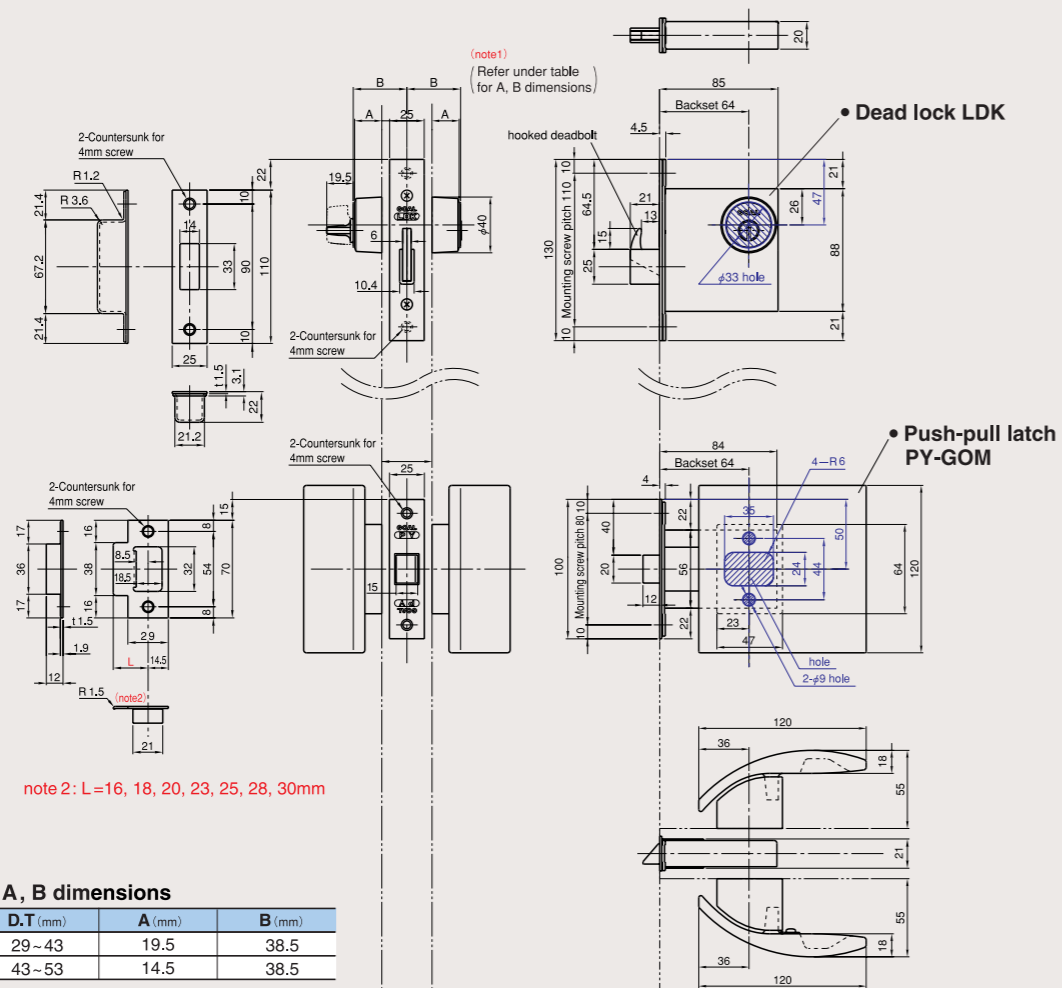
PY & LDK Push-pull latch PY & Dead lock LDK

Text P.15

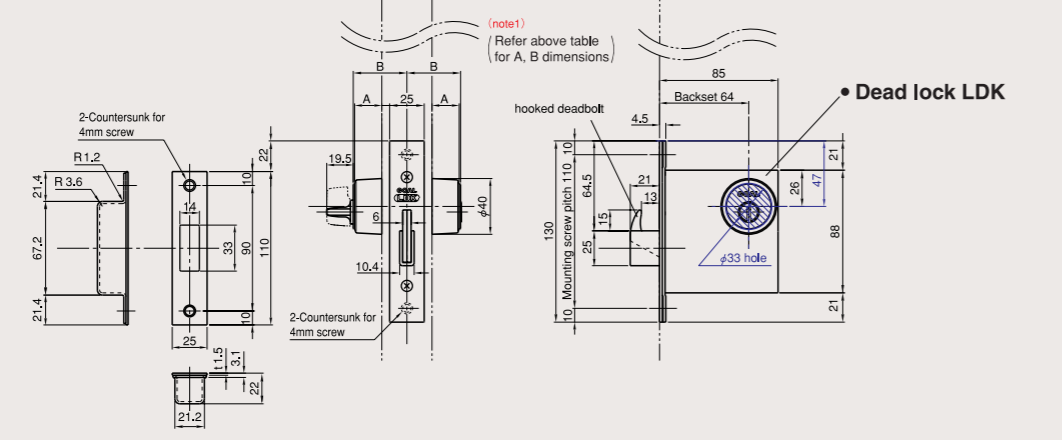
Series	Cylinder [symbol]	Function No.	Backset	D.T (Door thickness)
PY	—	1	64mm	29~33·33~38·38~43·43~48·48~53mm
LDK	6pin [P] (standard), 7pin [Z] V18 [V], GV [GV]	5	64mm	29~43·43~53mm

Dimensions (unit : mm)

- PY-GOM & V-LDK-5 (Backset 64mm) <shown PY-GOM & dead lock LDK-5>
※ This dimension indicate PY-GOM type handle. Handle is available ARC, GOB, GOF, MOA, GOL, GOM, GOU, GOX type. (refer to P.73, 74)



note 2: L=16, 18, 20, 23, 25, 28, 30mm



Information

Pin cylinder, Keying system, Function No., To order, etc.

Locks

Push-pull handle lock
Handle designs
PXK, PX, PZK, PZ, PLK, PL, PVKU, PY, PYS

Lever handle lock
Handle designs
AHL, AHL, LGK, LG, LX, LH, HL, LY, LW

Mortise lock
Knob designs
AH, AHP, AS, HS

Integral lock
UC, G

Cylindrical lock
UH, US

Dead lock
LDK, LD, HD, 1502/1503, AHD, AD, GK, GG, HN, ANT

Rim dead lock
MH, MD, MDU

Cremon bolt
CMM

Glass door lock
2510, HDT, CG, AG, BGU

Sliding door lock
SX, PSS, SAK, SN, TSD, AD(B/S600)

Cup handle lock
AHC, ASC, HSTC, UCC, GC

Emergency lock
AHLH, AHH, HSTH, HDH, AHDH

Electric lock & Security system

RF key Remo. con. key Ten key pad
KRS, KRC, BTKLX, TKS

Hotel card lock
JCLM, JCL

Electric lock
PXE, PZE, EZS, EXS, EXM, EU, ES, EL, EM, EV, SXE, CMT, CMR, ME

Electric conductor, Control box, Key switch, etc.
RCL, RCB, RSP, KS, ACT

Dimensions

PY Push-pull handle latch PY series

Text P.12, 15

Backset	D.T (Door thickness)
51, 64mm	28~33·33~38·38~43·43~48·48~53mm

Information

Pin cylinder, Keying system, Function No., To order, etc.

Locks

Push-pull handle lock
Handle designs
PXK, PX, PZK, PZ, PLK, PL, PVKU, PY, PYS

Lever handle lock
Handle designs
AHL, AHL, LGK, LG, LX, LH, HL, LY, LW

Mortise lock
Knob designs
AH, AHP, AS, HS

Integral lock
UC, G

Cylindrical lock
UH, US

Dead lock
LDK, LD, HD, 1502/1503, AHD, AD, GK, GG, HN, ANT

Rim dead lock
MH, MD, MDU

Cremon bolt
CMM

Glass door lock
2510, HDT, CG, AG, BGU

Sliding door lock
SX, PSS, SAK, SN, TSD, AD(B/S600)

Cup handle lock
AHC, ASC, HSTC, UCC, GC

Emergency lock
AHLH, AHH, HSTH, HDH, AHDH

Electric lock & Security system

RF key Remo. con. key Ten key pad
KRS, KRC, BTKLX, TKS

Hotel card lock
JCLM, JCL

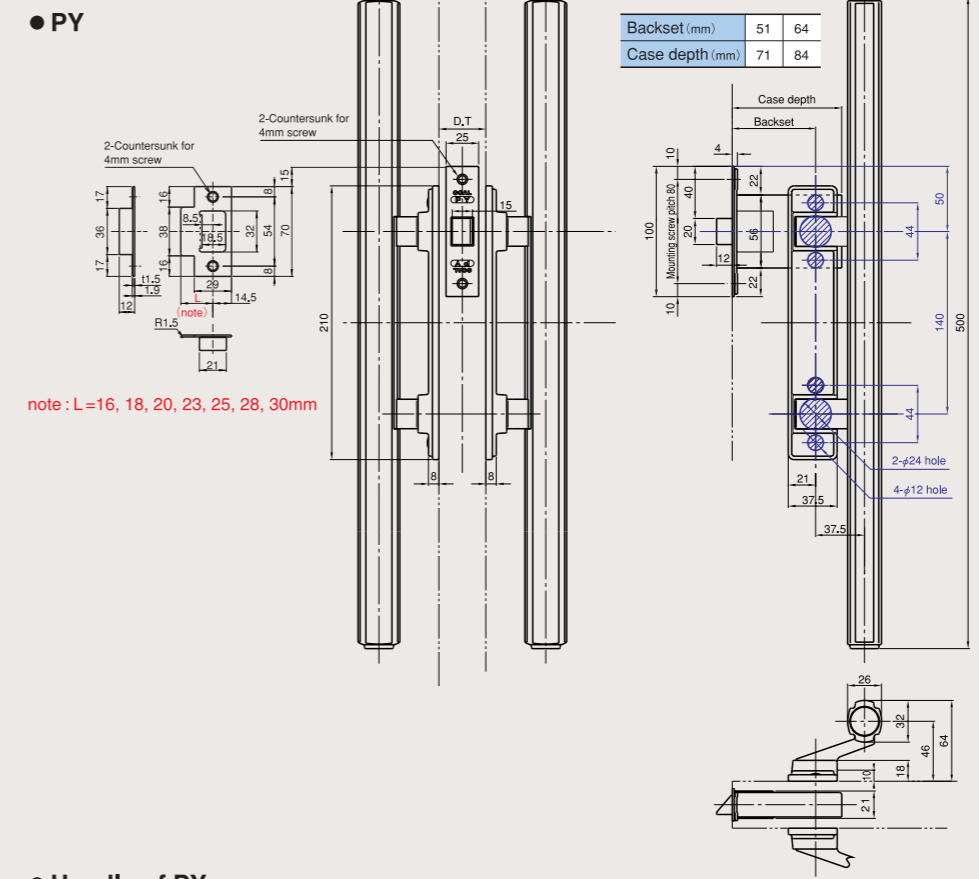
Electric lock
PXE, PZE, EZS, EXS, EXM, EU, ES, EL, EM, EV, SXE, CMT, CMR, ME

Electric conductor, Control box, Key switch, etc.
RCL, RCB, RSP, KS, ACT

Dimensions

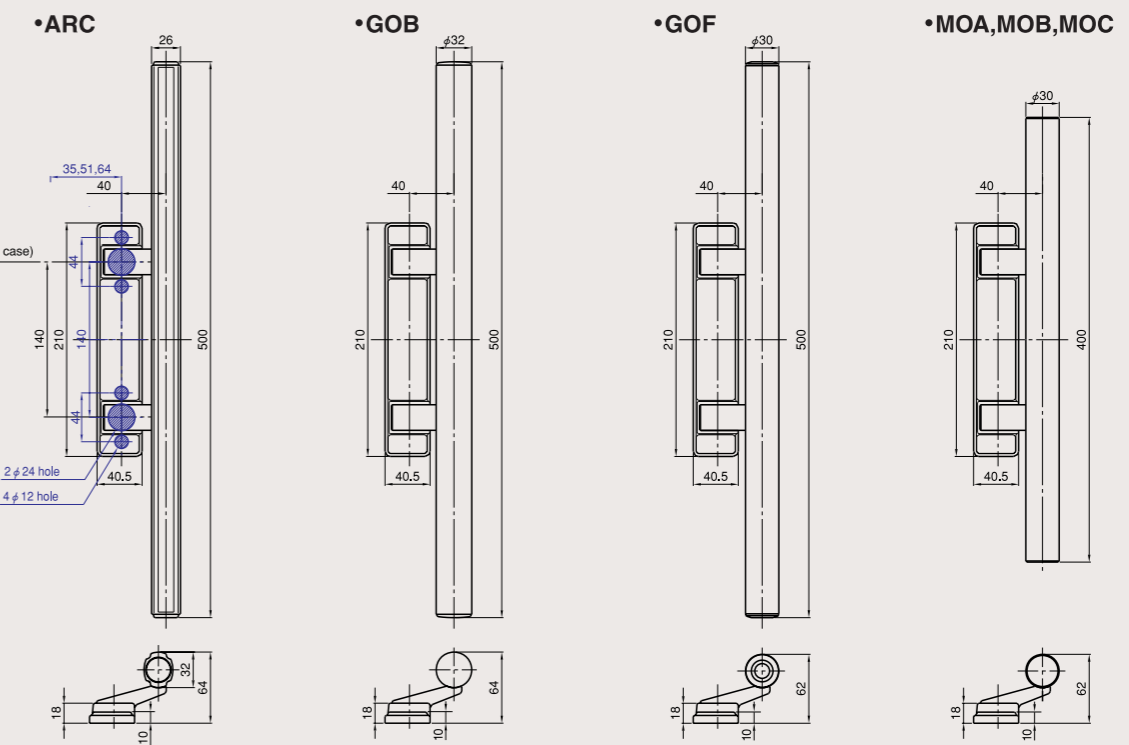
Dimensions (unit : mm)

- PY-ARC (Backset 51mm, 64mm) <shown ARC type handle>
(※ PY's handle is available ARC, GOB, GOF, MOA, GOL, GOM, GOX, GOU, type. Dimensions are on P.73, 74.)



note : L=16, 18, 20, 23, 25, 28, 30mm

Handle of PY



(※ Door preparation is same as ARC type handle.)

PY Push-pull handle latch PY

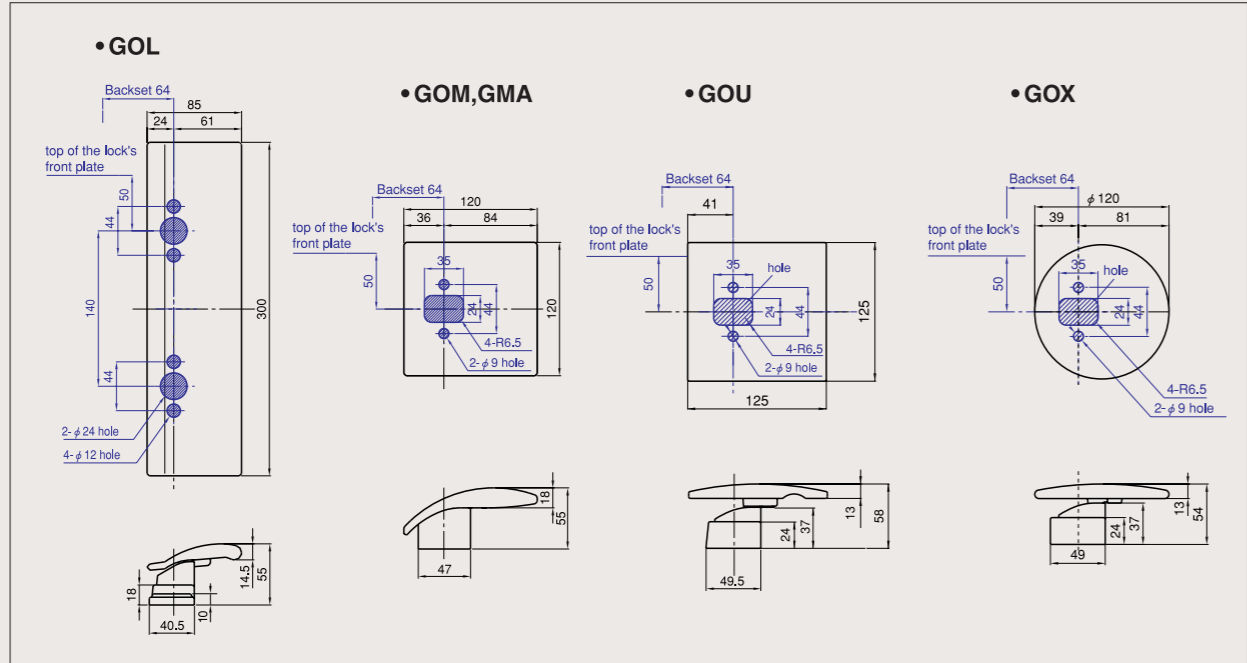
PYS Push-pull handle latch (muffled type) PYS

Text P.12, 15

Series	Backset	D.T (Door thickness)
PY	64mm	28~33·33~38·38~43·43~48·48~53mm
PYS		28~35·35~42·42~49mm

Dimensions (unit : mm)

● Handle of push-pull handle latch PY



● PYS (Backset 64mm) <shown PYS No.1 type handle> (note 1)

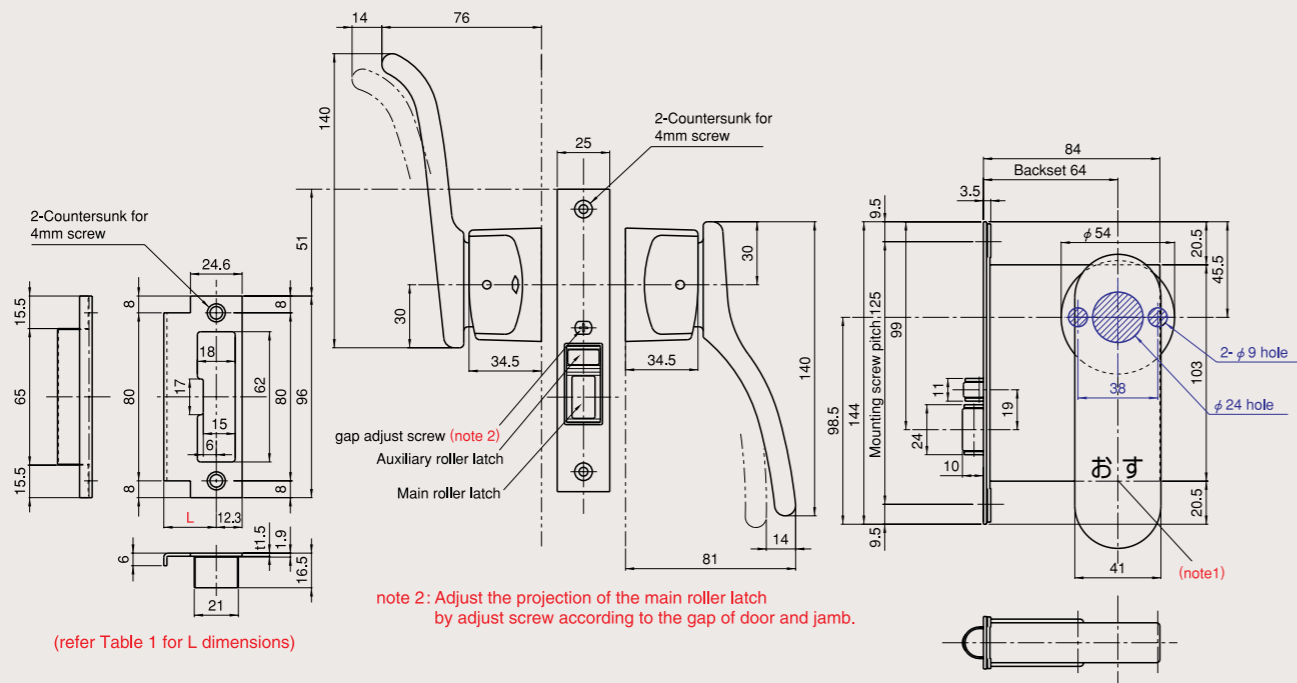


Table 1. L dimensions

D.T (mm)	Single leaf door		Double leaves door		
	Strike	L (mm)	D.T (mm)	Strike	L (mm)
28~33	20 L	20	29~33	16 L (d)	16
33~40	25 L	25	33~37	18 L (d)	18
40~47	30 L	30	37~42	20 L (d)	20
			43~47	23 L (d)	23

Information

Pin cylinder, Keying system, Function No. To order, etc.

Locks

Push-pull handle lock
Handle designs
PXK, PX, PZK, PZ, PLK, PL, PVKU, PY, PYS

Lever handle lock
Handle designs
AHL, AHL.P, LGK, LG, LX, LH, HL, LY, LW

Mortise lock
Knob designs
AH, AHP, AS, HS

Integral lock
UC, G

Cylindrical lock
UH, US

Dead lock
LDK, LD, HD, 1502/1503, AHD, AD, GK, GG, HN, ANT

Rim dead lock
MH, MD, MDU

Cremon bolt
CMM

Glass door lock
2510, HDT, CG, AG, BGU

Sliding door lock
SX, PSS, SAK, SN, TSD, AD(B/S600)

Cup handle lock
AHC, ASC, HSTC, UCC, GC

Emergency lock
AHLH, AHH, HSTH, HDH, AHDH

Electric lock & Security system

RF key
Remo. con. key
Ten key pad
KRS, KRC, BTKLX, TKS

Hotel card lock
JCLM, JCL

Electric lock
PXE, PZE, EZS, EXS, EXM, EU, ES, EL, EM, EV, SXE, CMT, CMR, ME

Electric conductor, Control box, Key switch, etc.
RCL, RCB, RSP, KS, ACT

Dimensions

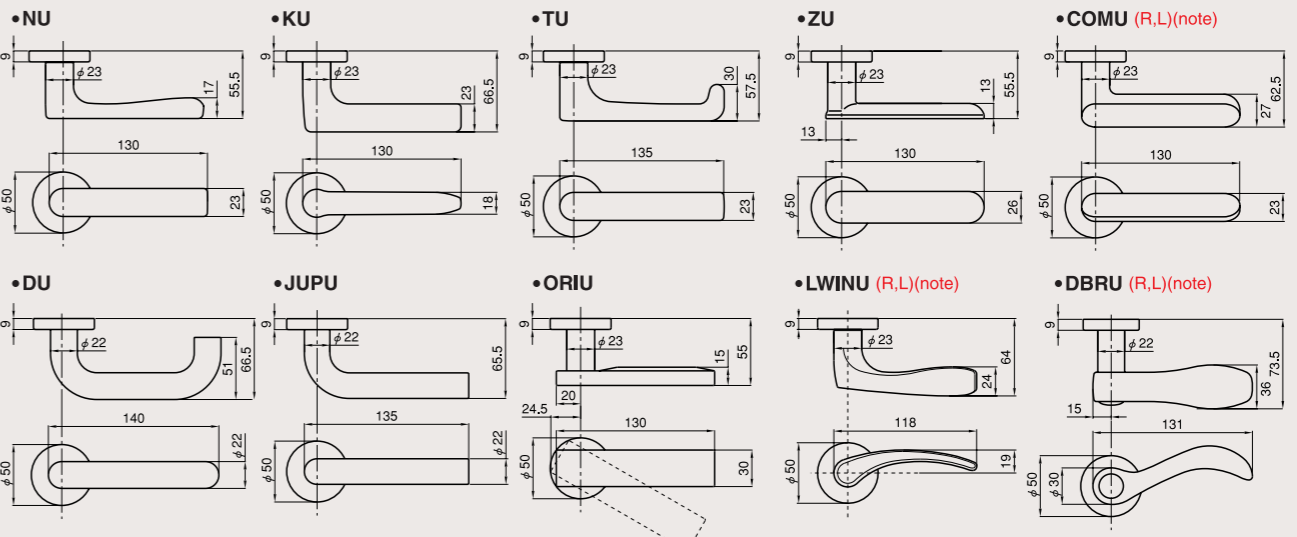
Lever handle Lever handle

Lever handle lock (AHL, LG, LGK, LGT. HL, LY). Electric lock (EZS, EU, EL series)

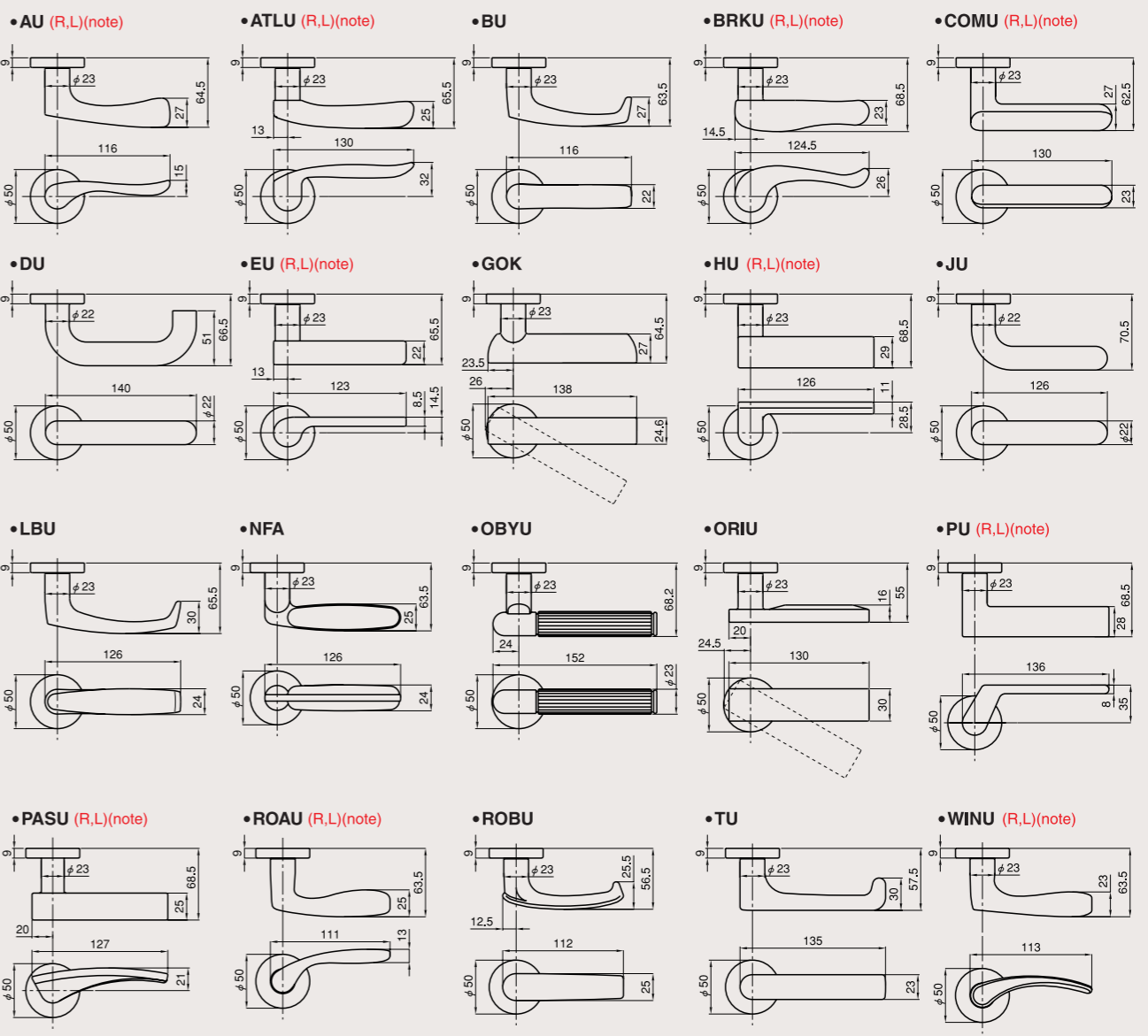
Text P.16~18

Dimensions (unit : mm) note : Specify the handle of lever handle shown (R, L).

● Lever handle (Stainless steel)



● Lever handle (Aluminum)



Information

Pin cylinder, Keying system, Function No. To order, etc.

Locks

Push-pull handle lock
Handle designs
PXK, PX, PZK, PZ, PLK, PL, PVKU, PY, PYS

Lever handle lock
Handle designs
AHL, AHL.P, LGK, LG, LX, LH, HL, LY, LW

Mortise lock
Knob designs
AH, AHP, AS, HS

Integral lock
UC, G

Cylindrical lock
UH, US

Dead lock
LDK, LD, HD, 1502/1503, AHD, AD, GK, GG, HN, ANT

Rim dead lock
MH, MD, MDU

Cremon bolt
CMM

Glass door lock
2510, HDT, CG, AG, BGU

Sliding door lock
SX, PSS, SAK, SN, TSD, AD(B/S600)

Cup handle lock
AHC, ASC, HSTC, UCC, GC

Emergency lock
AHLH, AHH, HSTH, HDH, AHDH

Electric lock & Security system

RF key
Remo. con. key
Ten key pad
KRS, KRC, BTKLX, TKS

Hotel card lock
JCLM, JCL

Electric lock
PXE, PZE, EZS, EXS, EXM, EU, ES, EL, EM, EV, SXE, CMT, CMR, ME

Electric conductor, Control box, Key switch, etc.
RCL, RCB, RSP, KS, ACT

Dimensions

Lever handle and escutcheon

Text P.16~19

Information

Pin cylinder, Keying system, Function No. To order, etc.

Locks

Push-pull handle lock
Handle designs
PXK, PX, PZK, PZ, PLK, PL, PVKU, PY, PYS

Lever handle lock
Handle designs
AHL, AHL P, LGK, LG, LX, LH, HL, LY, LW

Mortise lock
Knob designs
AH, AHP, AS, HS

Integral lock
UC, G

Cylindrical lock
UH, US

Dead lock
LDK, LD, HD, 1502/1503, AHD, AD, GK, GG, HN, ANT

Rim dead lock
MH, MD, MDU

Cremon bolt
CMM

Glass door lock
2510, HDT, CG, AG, BGU

Sliding door lock
SX, PSS, SAK, SNI, TSD, AD(B/S600)

Cup handle lock
AHC, ASC, HSTC, UCC, GC

Emergency lock
AHLH, AHH, HSTH, HDH, AHDH

Electric lock & Security system

RF key
Remo. con. key
Ten key pad
KRS, KRC, BTKLX, TKS

Hotel card lock
JCLM, JCL

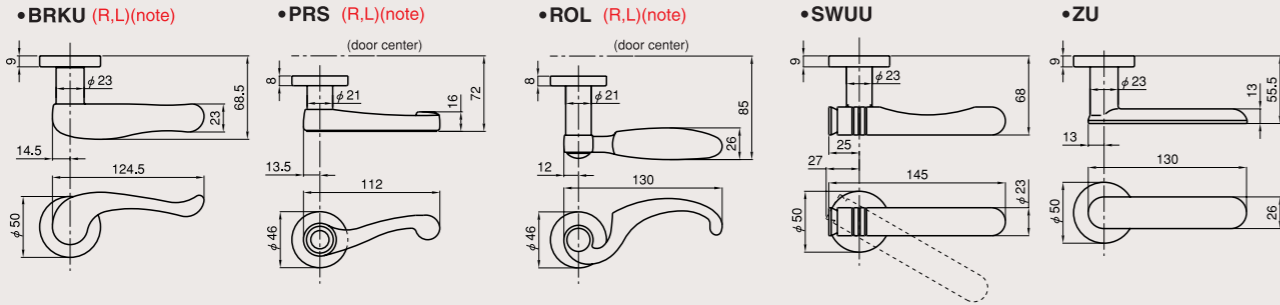
Electric lock
PXE, PZE, EZS, EXS, EXM, EU, ES, EL, EM, EV, SXE, CMT, CMR, ME

Electric conductor, Control box, Key switch, etc.
RCL, RCB, RSP, KS, ACT

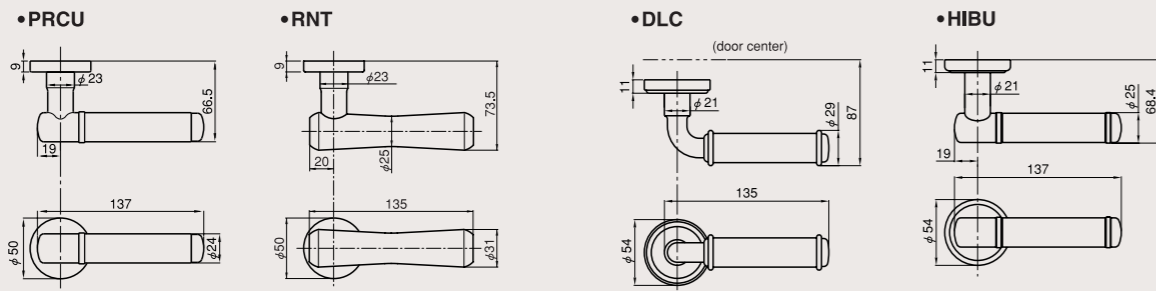
Dimensions

Dimensions (unit : mm)

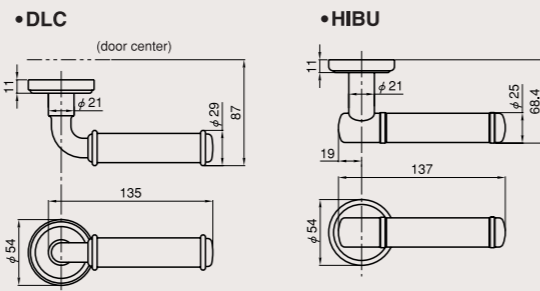
Lever handle (Brass)



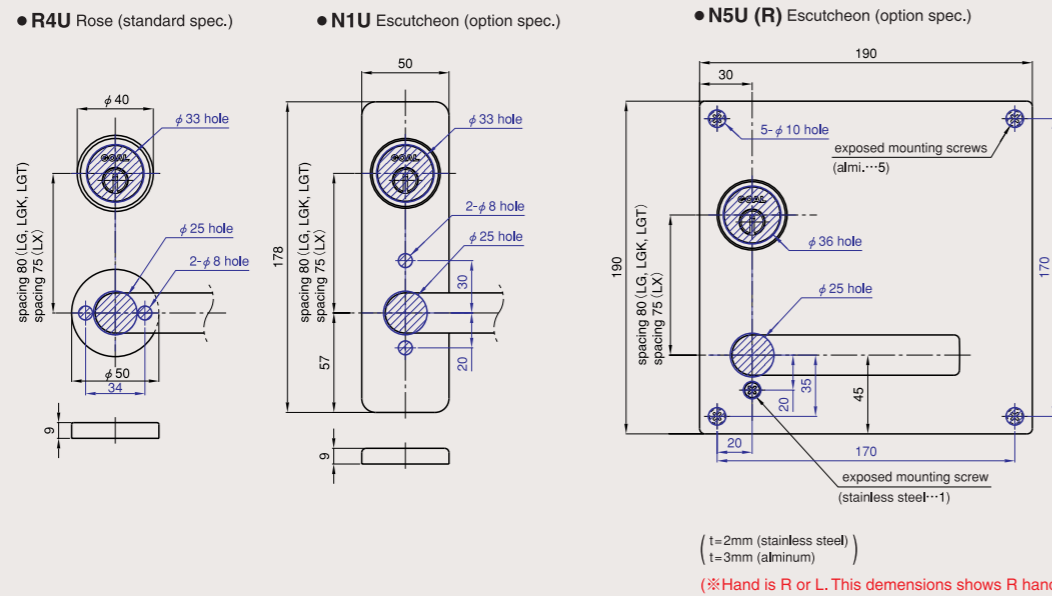
Lever handle (Hard wooden)



Lever handle (High class)



Escutcheon of lever handle lock LGK, LG, LGT, LX



AHL Lever handle lock AHL AHLP Anti-panic lock AHLP

Text P.20

Series	Backset	Cylinder (symbol)	Function No.	D.T (Door thickness)
AHL	76mm, 100mm	6pin [P] (standard)	1, 3, 5, 6, 68, 7, 8	(R4U rose) (ref. under dimensions)
		7pin [Z]	5, 6, 68, 8	(S1U esc.) (ref. under dimensions)
		V18 [V]	9 (note)	33~38·38~43·43~48·48~53mm
AHLP		GV [GV]	5, 7	33~38·38~43·43~48·48~50·50~53mm

Information

Pin cylinder, Keying system, Function No. To order, etc.

Locks

Push-pull handle lock
Handle designs
PXK, PX, PZK, PZ, PLK, PL, PVKU, PY, PYS

Lever handle lock
Handle designs
AHL, AHL P, LGK, LG, LX, LH, HL, LY, LW

Mortise lock
Knob designs
AH, AHP, AS, HS

Integral lock
UC, G

Cylindrical lock
UH, US

Dead lock
LDK, LD, HD, 1502/1503, AHD, AD, GK, GG, HN, ANT

Rim dead lock
MH, MD, MDU

Cremon bolt
CMM

Glass door lock
2510, HDT, CG, AG, BGU

Sliding door lock
SX, PSS, SAK, SNI, TSD, AD(B/S600)

Cup handle lock
AHC, ASC, HSTC, UCC, GC

Emergency lock
AHLH, AHH, HSTH, HDH, AHDH

Electric lock & Security system

RF key
Remo. con. key
Ten key pad
KRS, KRC, BTKLX, TKS

Hotel card lock
JCLM, JCL

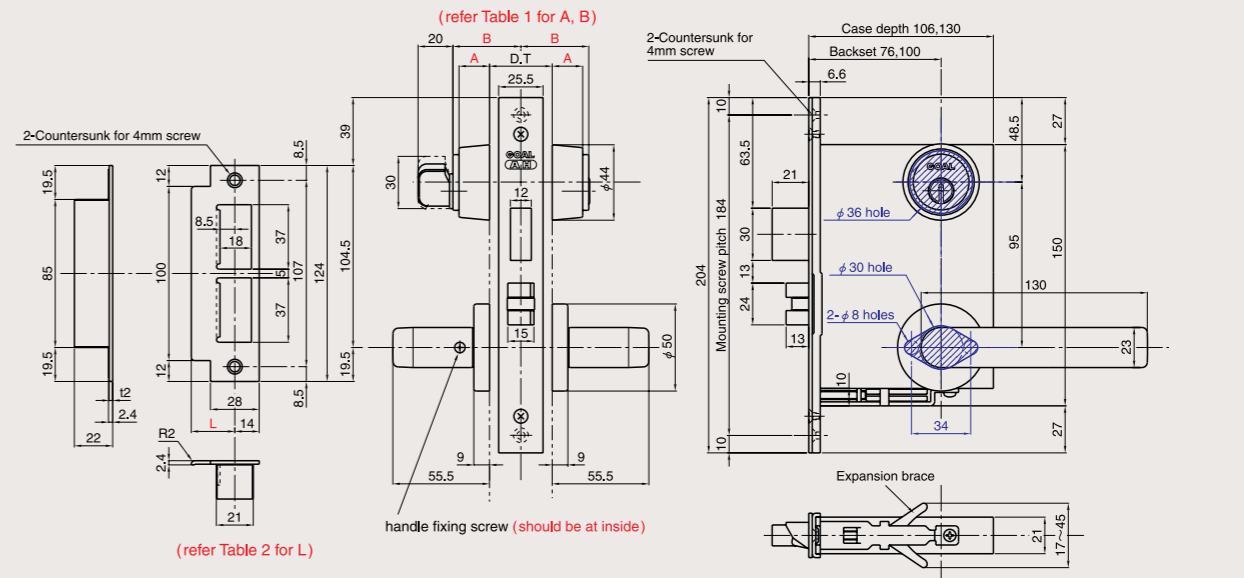
Electric lock
PXE, PZE, EZS, EXS, EXM, EU, ES, EL, EM, EV, SXE, CMT, CMR, ME

Electric conductor, Control box, Key switch, etc.
RCL, RCB, RSP, KS, ACT

Dimensions

Dimensions (unit : mm)

V-AHL-5NU (B/s 76,100mm) (shown V18 cyl., NU type handle, R4U rose) (D.T... 35~42.5·42.5~50·50~63·63~73mm)



V-AHL-5NU (S1U escutcheon) (B/s 76,100mm) (D.T... 33~38·38~43·43~48·48~53mm)

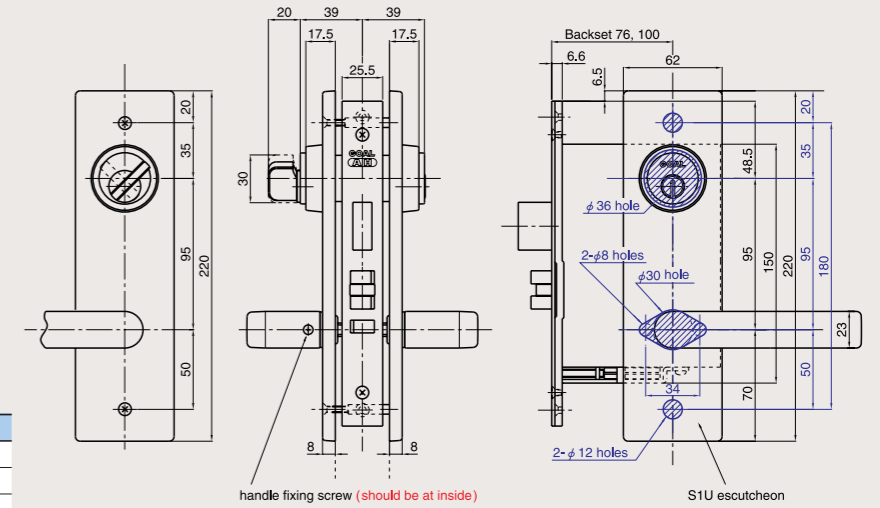


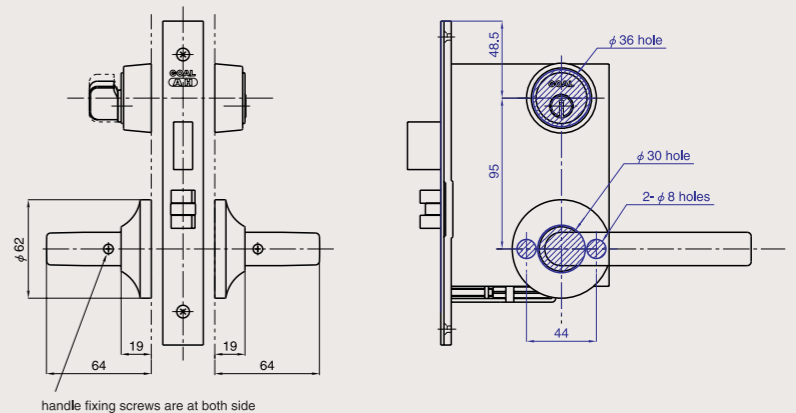
Table 1. A, B dimensions

D.T (mm)	A (mm)	B (mm)
35~50	17.5	39
50~63	17.5	46
63~73	22.5	56
73~83	17.5	56

Table 2. L dimension

Single leaf door				
Series	rose, escutc.	D.T (mm)	Strike	L (mm)
AHL	R4U rose	35~42.5	25 L	25
		42.5~50	30 L	30
AHLP	S1U escutc.	33~43	25 L	25
	(exclusive rose)	43~53	30 L	30
AHLP		43~53	30 L	30
		53~63	33 L	33
Double leaves door				
Series	rose, escutc.	D.T (mm)	Strike	L (mm)
AHL	all rose, escutc.	35~37	18 L(d)	18
		37~42	20 L(d)	20
		43~47	23 L(d)	23
AHLP		47~50	25 L(d)	25

Anti-panic lock V-AHLP-5NU (R) (B/s 76,100mm)



AHL-9 Hotel lock AHL-9 AH-9 Hotel lock AH-9

Text P.21

Series	Cylinder [symbol]	Handle	Hand	Backset	D.T (Door thickness)
AHL-9	6pin [P] (standard) 7pin [Z] V18 [V]	lever handle	R, L	76mm 100mm	33~38·38~43· 43~48·48~53mm 36~38·38~43· 43~48mm
AH-9	GV [GV]	knob			

Dimensions (unit : mm)

● **Lever handle type V-AHL-9NU (R) (S1U)** < shown V18 cyl., NU type handle, hand R, S1U escut. >
(Strike is same as V-AHL-5NU, refer to P.77)

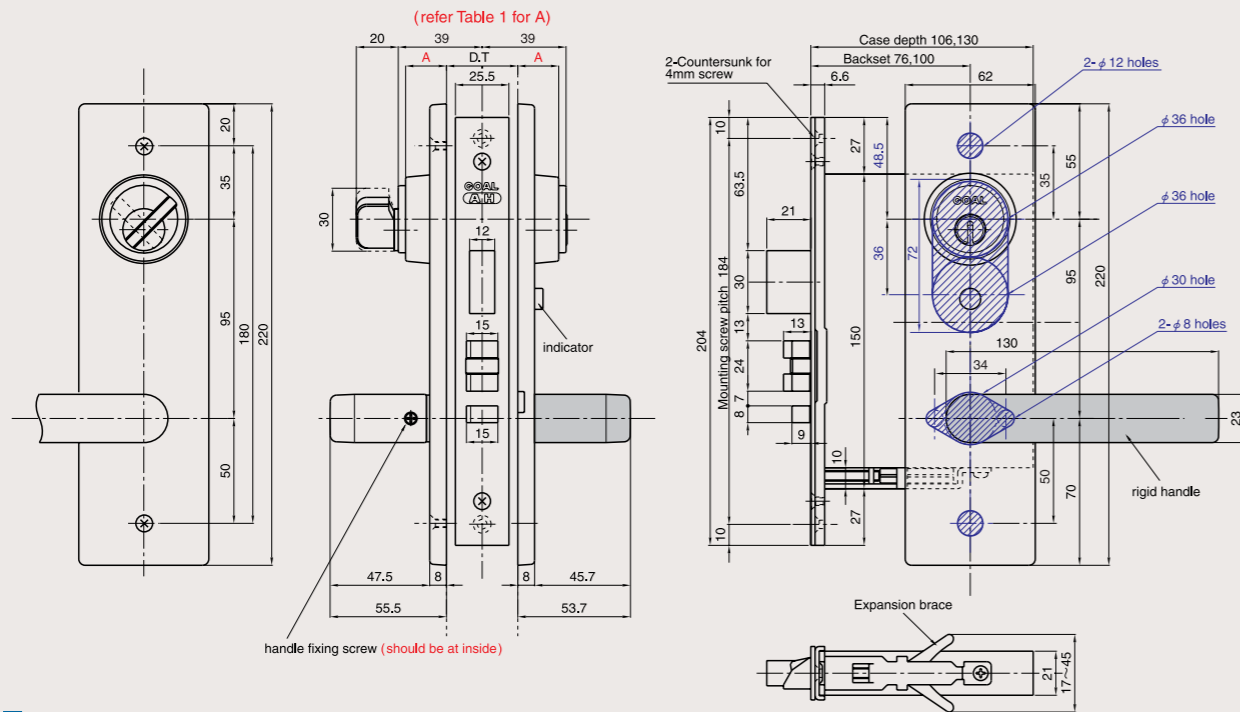


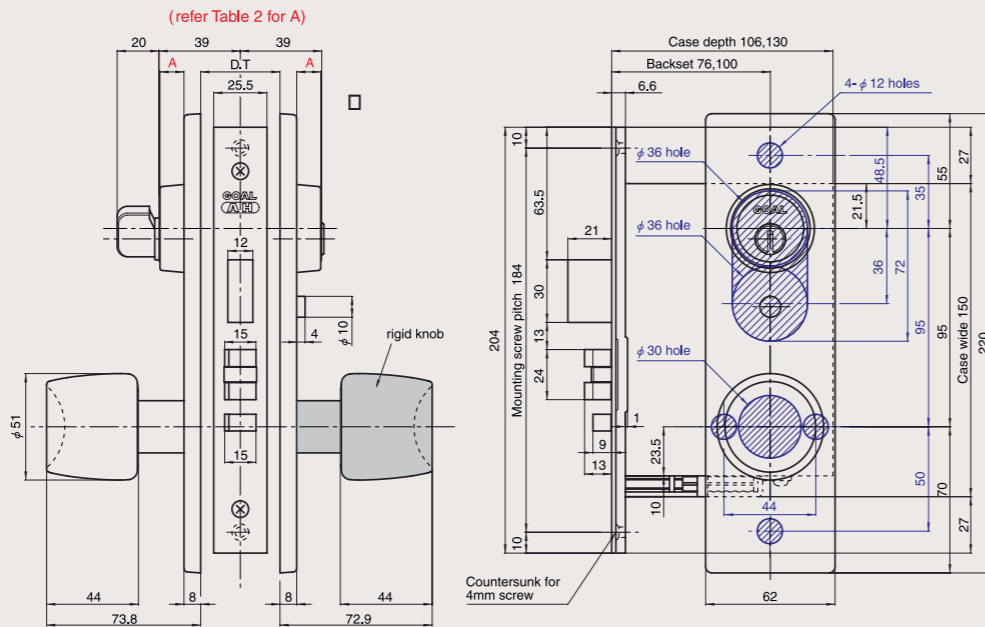
Table 1. A dimensions of AHL-9

D.T (mm)	A (mm)
33-38	22
38-43	19.5
43-48	17
48-53	14.5

Table 2. A dimensions of AH-9

D.T (mm)	A (mm)
36-38	14
38-43	11.5
43-48	9
48-53	6.5

● **Knob type V-AH-9Q (R) (S1)** < shown V18 cyl., Q type knob, hand R, S1 escut. >
(Strike is same as V-AHL-5NU, refer to P.77)



Information

Pin cylinder, Keying system, Function No. To order, etc.

Locks

Push-pull handle lock
Handle designs
PKK, PX, PZK, PZ, PLK, PL, PVKU, PY, PYS

Lever handle lock
Handle designs
AHL, AHL-P, LGK, LG, LX, LH, HL, LY, LW

Mortise lock
Knob designs
AH, AHP, AS, HS

Integral lock
UC, G

Cylindrical lock
UH, US

Dead lock
LDK, LD, HD, 1502/1503, AHD, AD, GK, GG, HN, ANT

Rim dead lock
MH, MD, MDU
Cremon bolt
CMM

Glass door lock
2510, HDT, CG, AG, BGU

Sliding door lock
SX, PSS, SAK, SN, TSD, AD(B/S600)

Cup handle lock
AHC, ASC, HSTC, UCC, GC

Emergency lock
AHLH, AHH, HSTH, HDH, AHDH

Electric lock & Security system

RF key
Remo. con. key
Ten key pad
KRS, KRC, BTKLX, TKS

Hotel card lock
JCLM, JCL

Electric lock
PXE, PZE, EZS, EXS, EXM, EU, ES, EL, EM, EV, SXE, CMT, CMR, ME

Electric conductor, Control box, Key switch, etc.
RCL, RCB, RSP, KS, ACT

Dimensions

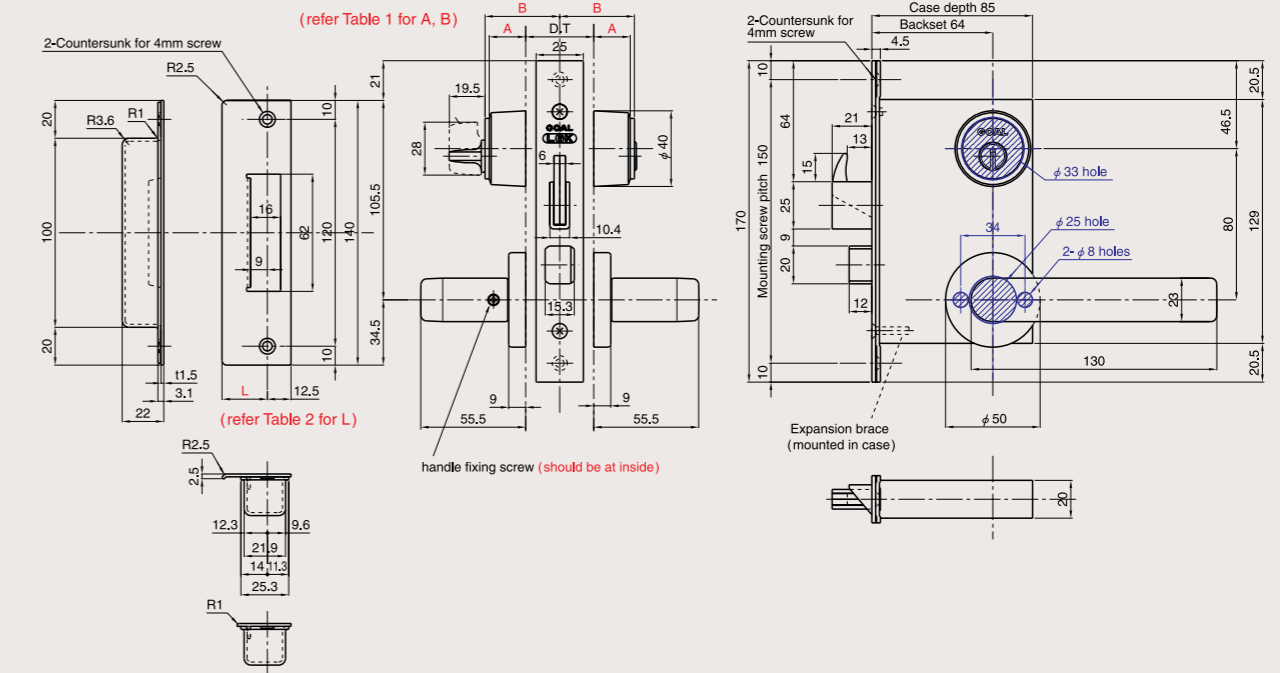
LGK LG Lever handle lock LGK, LG series

Text P.22

Series	type	Cylinder [symbol]	Function No.	Backset	D.T (Door thickness)
LGK	hook deadbolt	6pin [P] (standard) 7pin [Z] V18 [V]	5, 6, 7	64mm	29~33·33~43·
LG	normal deadbolt	GV [GV]	1, 3, 4, 45, 5, 6, 7	32, 38, 51, 64, 76mm	43~53mm

Dimensions (unit : mm)

● **V-LGK-5NU** (B/s 64mm) < shown V18 cyl., NU type handle, R4U rose >



● **V-LG-5NU** (B/s 38, 51, 64, 76mm) < shown V18 cyl., NU type handle, R4U rose >

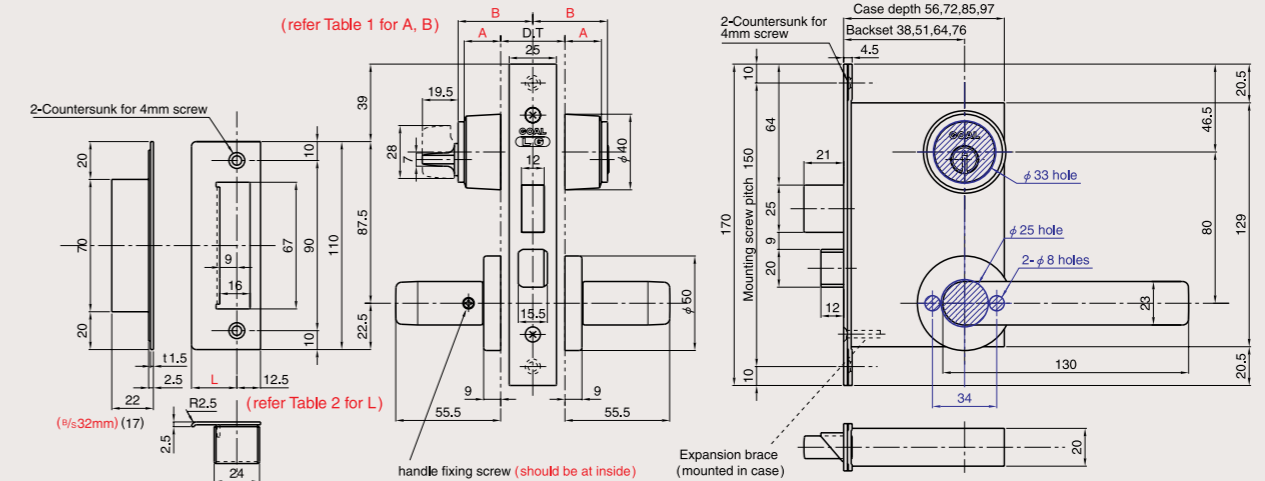


Table 1. A, B dimensions

D.T (mm)	A (mm)	B (mm)
29-43	19.5	38.5
43-53	14.5	38.5
53-63	19.5	48.5
63-73	14.5	48.5
73-83	19.5	58.5

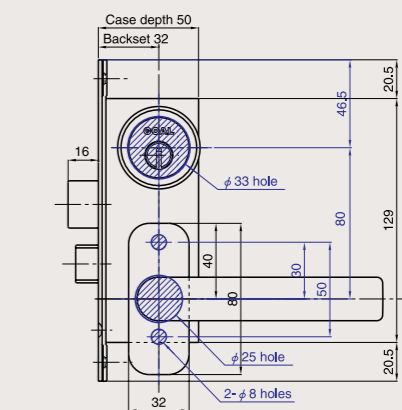
Table 2. L dimension

D.T (mm)	Single leaf door	
	Strike	L (mm)
29-33	20 L	20
33-38	24 L	24
38-43	24 L	24
43-48	30 L	30
48-53	30 L	30

D.T (mm)	Double leaves door	
	Strike	L (mm)
29-33	16 L (d)	16
33-37	18 L (d)	18
37-41	20 L (d)	20
41-45	22 L (d)	22
45-49	24 L (d)	24
49-53	26 L (d)	26

● **V-LG-5NU** (B/s 32mm) (K1U)

< shown V18 cyl., NU type handle, K1U escut. >



Information

Pin cylinder, Keying system, Function No. To order, etc.

Locks

Push-pull handle lock
Handle designs
PKK, PX, PZK, PZ, PLK, PL, PVKU, PY, PYS

Lever handle lock
Handle designs
AHL, AHL-P, LGK, LG, LX, LH, HL, LY, LW

Mortise lock
Knob designs
AH, AHP, AS, HS

Integral lock
UC, G

Cylindrical lock
UH, US

Dead lock
LDK, LD, HD, 1502/1503, AHD, AD, GK, GG, HN, ANT

Rim dead lock
MH, MD, MDU
Cremon bolt
CMM

Glass door lock
2510, HDT, CG, AG, BGU

Sliding door lock
SX, PSS, SAK, SN, TSD, AD(B/S600)

Cup handle lock
AHC, ASC, HSTC, UCC, GC

Emergency lock
AHLH, AHH, HSTH, HDH, AHDH

Electric lock & Security system

RF key
Remo. con. key
Ten key pad
KRS, KRC, BTKLX, TKS

Hotel card lock
JCLM, JCL

Electric lock
PXE, PZE, EZS, EXS, EXM, EU, ES, EL, EM, EV, SXE, CMT, CMR, ME

Electric conductor, Control box, Key switch, etc.
RCL, RCB, RSP, KS, ACT

Dimensions

**LX
LH**

**Lever handle lock LX series
Automatically locking lock LH series**

Text P.23

Series	Cylinder [symbol]	Function No.	Backset	D.T (Door thickness)
LX	6pin [P] (standard) 7pin [Z] V18 [V]	1, 3, 4, 45, 5, 6, 7	32, 38, 51, 64mm	29~33·33~43· 43~53mm
LH	GV [GV]	7	51, 64mm	33~43· 43~53mm

Dimensions (unit : mm)

● **V-LX-5NU** (B/s 38, 51, 64mm) <shown V18 cyl., NU type handle, R4U rose>

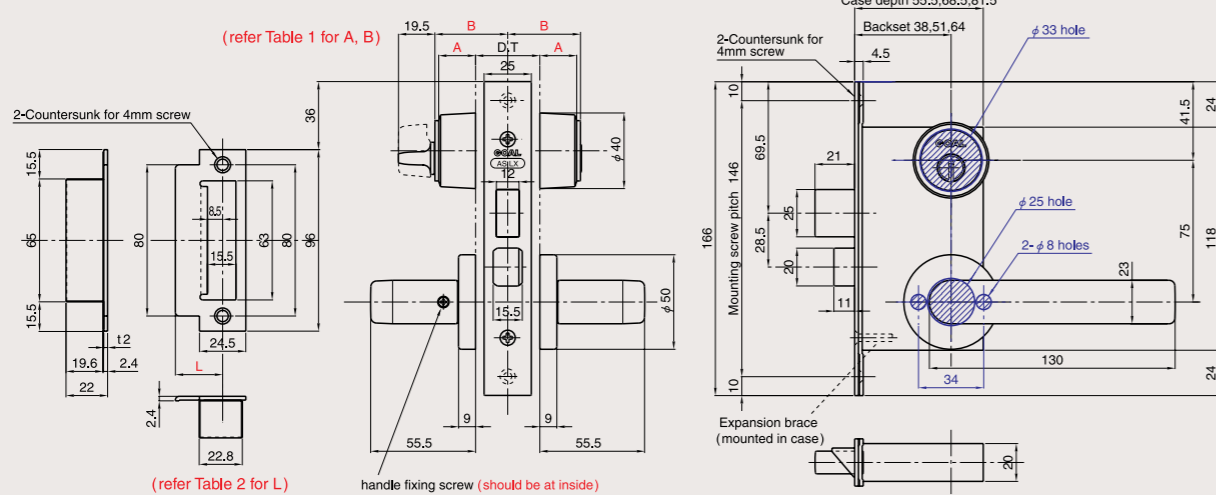


Table 1. A, B dimensions

D.T (mm)	A (mm)	B (mm)
29~43	19.5	38.5
43~53	14.5	38.5
53~63	19.5	48.5
63~73	14.5	48.5
73~83	19.5	58.5

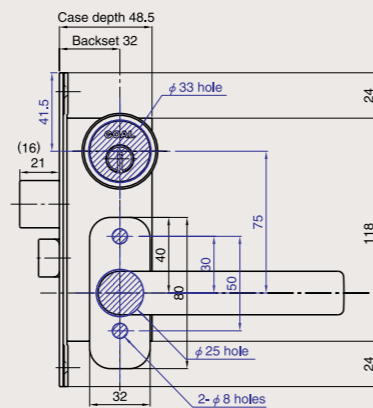
Table 2. L dimension

Single leaf door		
D.T (mm)	Strike	L (mm)
29~33	20 L	20
33~43	25 L	25
43~53	30 L	30
53~60	33 L	33

Double leaves door		
D.T (mm)	Strike	L (mm)
29~33	16 L (d)	16
33~37	18 L (d)	18
37~41	20 L (d)	20
41~47	23 L (d)	23
47~51	25 L (d)	25
51~57	28 L (d)	28
57~61	30 L (d)	30
61~67	33 L (d)	33

● **V-LX-5NU** (B/s 32mm) (K1U)

<shown V18 cyl., NU type handle, K1U escutc.>



● **V-LHT, LHL, LHB, LHS-7NU** (B/s 51, 64mm) <shown V18 cyl., NU type handle, R4U escutc.>

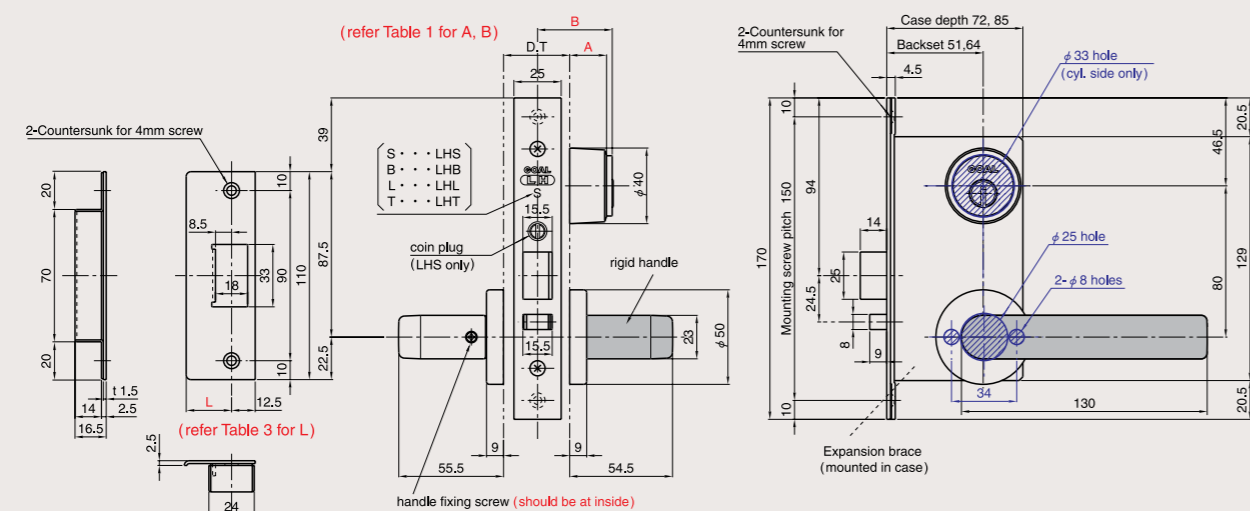


Table 3. L dimension

Single leaf door			Double leaves door		
D.T (mm)	Strike	L (mm)	D.T (mm)	Strike	L (mm)
33~38			33~37	18 L (d)	18
38~43	24 L	24	37~41	20 L (d)	20
43~48	30 L	30	41~45	22 L (d)	22
48~53			45~49	24 L (d)	24
			49~53	26 L (d)	26

**HL, HLP
HLT, HLTP**

**Lever handle lock
HL, HLP, HLT, HLTP**

Text P.24

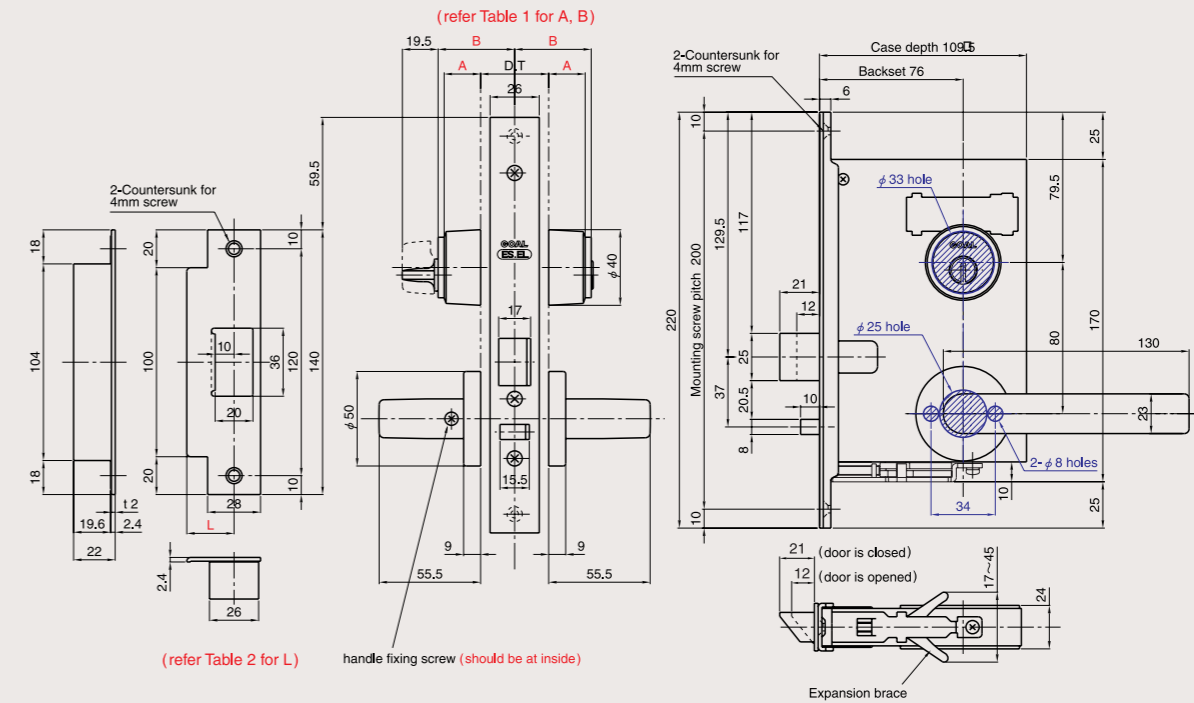
Series	Cylinder [symbol]	Function No.	Backset	D.T (Door thickness)
HL, HLT	6pin [P] (standard) 7pin [Z] V18 [V]	3, 5, 6, 7	76mm	29~33·33~43·43~53mm
HLP	V18 [V]	3, 5, 6, 7		29~33·33~38·38~43· 43~53mm
HLTP	GV [GV]	7		43~53mm

Dimensions (unit : mm)

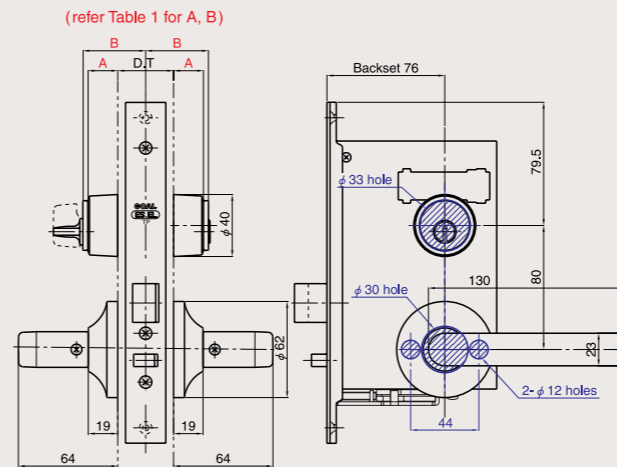
● **Lever handle lock V-HL-5NU** (B/s 76mm) <shown V18 cyl., NU type handle>

● **Automatically locking lock V-HLT-5NU** (B/s 64mm) <shown V18 cyl., NU type handle>

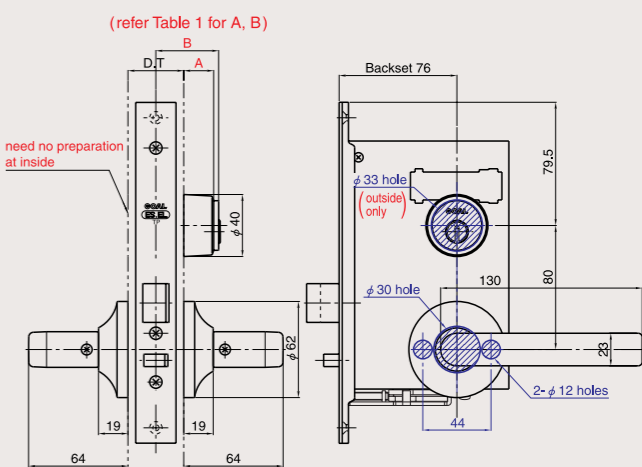
(※ dimensions of HLT is same as HL)



● **Classroom function lock V-HLP-5NU**



● **Storeroom function lock V-HLTP-7NU**



(※ Strike and non-entered dimensions are same as V-HL-5NU, above-stated.)

Table 1. A, B dimensions

D.T (mm)	A (mm)	B (mm)
29~43	19.5	38.5
43~53	14.5	38.5
53~63	19.5	48.5
63~73	14.5	48.5
73~83	19.5	58.5

Table 2. L dimension

Single leaf door			Double leaves door		
D.T (mm)	Strike	L (mm)	D.T (mm)	Strike	L (mm)
29~33	20 L	20	29~33	16 L (d)	16
33~43	25 L	25	33~37	18 L (d)	18
43~53	30 L	30	37~42	20 L (d)	20
53~60	33 L	33	43~47	23 L (d)	23
			47~51	25 L (d)	25
			53~57	28 L (d)	28
			57~61	30 L (d)	30

Information

Pin cylinder,
Keying system,
Function No.
To order, etc.

Locks

Push-pull
handle lock
Handle designs
PXK, PX, PZK, PZ,
PLK, PL, PVKU,
PY, PYS

Lever handle lock

Handle designs
AHL, AHL,
LGL, LG, LX,
LH, HL, LY, LW

Mortise lock

Knob designs
AH, AHP,
AS, HS

Integral lock

UC, G

Cylindrical lock

UH, US

Dead lock

LDK, LD, HD,
1502/1503, AHD,
AD, GK, GG,
HN, ANT

Rim dead lock

MH, MD, MDU

Cremon bolt

CMM

Glass door lock

2510, HDT,
CG, AG, BGU

Sliding door lock

SX, PSS, SAK,
SN, TSD,
AD(B/S600)

Cup handle lock

AHC, ASC,
HSTC, UCC, GC

Emergency lock

AHLH, AHH,
HSTH, HDH,
AHDH

Electric lock &
Security system

RF key

Remo. con. key
Ten key pad
KRS, KRC,
BTKLX, TKS

Hotel card lock

JCLM, JCL

Electric lock

PXE, PZE,
EZX, EXS, EXM,
EU, ES, EL,
EM, EV, SXE,
CMT, CMR, ME

Electric conductor,
Control box,
Key switch, etc.

RCL, RCB,
RSP, KS, ACT

Dimensions

Information

Pin cylinder,
Keying system,
Function No.
To order, etc.

Locks

Push-pull
handle lock
Handle designs
PXK, PX, PZK, PZ,
PLK, PL, PVKU,
PY, PYS

Lever handle lock

Handle designs
AHL, AHL,
LGL, LG, LX,
LH, HL, LY, LW

Mortise lock

Knob designs
AH, AHP,
AS, HS

Integral lock

UC, G

Cylindrical lock

UH, US

Dead lock

LDK, LD, HD,
1502/1503, AHD,
AD, GK, GG,
HN, ANT

Rim dead lock

MH, MD, MDU

Cremon bolt

CMM

Glass door lock

2510, HDT,
CG, AG, BGU

Sliding door lock

SX, PSS, SAK,
SN, TSD,
AD(B/S600)

Cup handle lock

AHC, ASC,
HSTC, UCC, GC

Emergency lock

AHLH, AHH,
HSTH, HDH,
AHDH

Electric lock &
Security system

RF key

Remo. con. key
Ten key pad
KRS, KRC,
BTKLX, TKS

Hotel card lock

JCLM, JCL

Electric lock

PXE, PZE,
EZX, EXS, EXM,
EU, ES, EL,
EM, EV, SXE,
CMT, CMR, ME

Electric conductor,
Control box,
Key switch, etc.

RCL, RCB,
RSP, KS, ACT

Dimensions

**AS
HS**

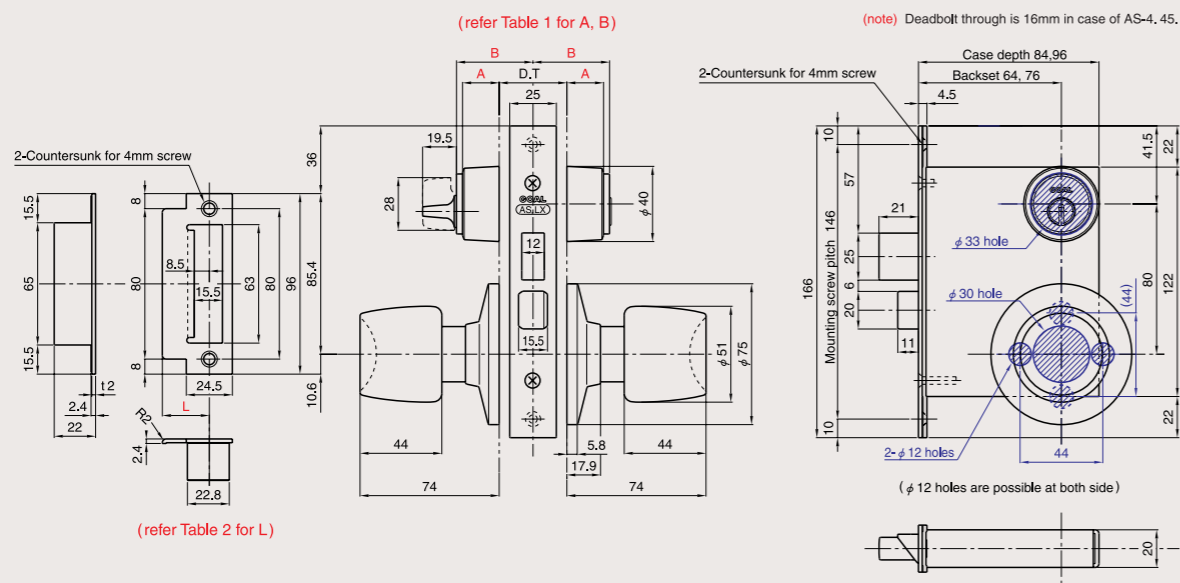
**Mortise lock AS series
Mortise lock HS, HSP, HST series**

Text P.28

Series	Cylinder [symbol]	Function No.	Backset	Hand	D.T (Door thickness)
AS	6pin [P] (standard)	1, 3, 4, 45, 5, 6, 7	64, 76mm	—	—
HS, HST	7pin [Z]	3, 5, 6, 7	—	—	29~33·33~43·
HSP, HSTP	V18 [V] GV [GV]	HSP-3, 5, 6, 7 HSTP-7	76mm	L, R	43~53mm

Dimensions (unit : mm)

● **Mortise lock V-AS-5Q** (B/s 64,76mm) <shown AS-5 with V18 cyl., Q type knob>



- **Mortise lock V-HS-5Q** (B/s 76mm) <shown HS-5 with V18 cyl., Q type knob>
- **Classroom function lock V-HSP-5Q**
- **Automatically locking lock V-HST-5Q**
(※ Dimensions are same as HS, HSP, HST)

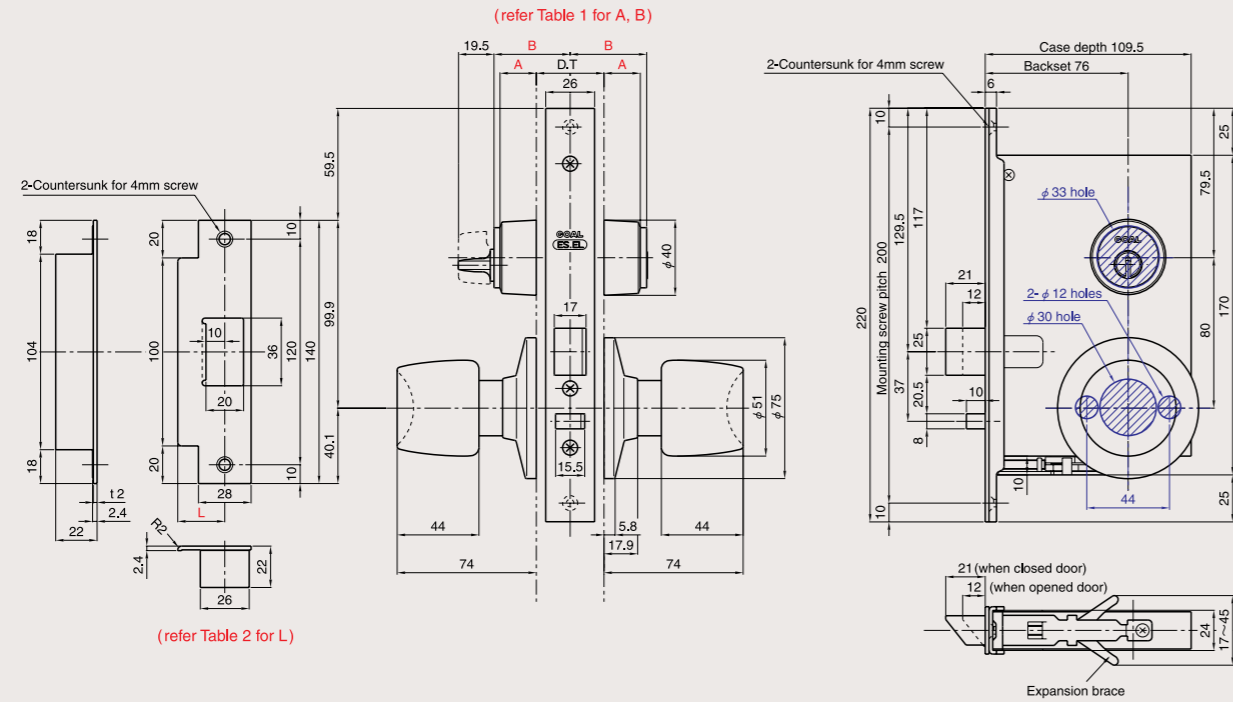


Table 1. A, B dimensions

D.T (mm)	A (mm)	B (mm)
29~43	19.5	38.5
43~53	14.5	38.5
53~63	19.5	48.5
63~73	14.5	48.5
73~83	19.5	58.5

Table 2. L dimension

D.T (mm)	Single leaf door		Double leaves door		
	Strike	L (mm)	D.T (mm)	Strike	L (mm)
29~33	20 L	20	29~33	16 L (d)	16
33~43	25 L	25	33~37	18 L (d)	18
43~53	30 L	30	37~42	20 L (d)	20
53~60	33 L	33	43~47	23 L (d)	23
			47~51	25 L (d)	25

Information

Pin cylinder, Keying system, Function No. To order, etc.

Locks

Push-pull handle lock
Handle designs
PXK, PX, PZK, PZ, PLK, PL, PVKU, PY, PYS

Lever handle lock
Handle designs
AHL, AHL-P, LGK, LG, LX, LH, HL, LY, LW

Mortise lock
Knob designs
AH, AHP, AS, HS

Integral lock
UC, G

Cylindrical lock
UH, US

Dead lock
LDK, LD, HD, 1502/1503, AHD, AD, GK, GG, HN, ANT

Rim dead lock
MH, MD, MDU

Cremon bolt
CMM

Glass door lock
2510, HDT, CG, AG, BGU

Sliding door lock
SK, PSS, SAK, SN, TSD, AD(B/S600)

Cup handle lock
AHC, ASC, HSTC, UCC, GC

Emergency lock
AHLH, AHH, HSTH, HDH, AHDH

Electric lock & Security system

RF key
Remo. con. key
Ten key pad
KRS, KRC, BTKLX, TKS

Hotel card lock
JCLM, JCL

Electric lock
PXE, PZE, EZS, EXS, EXM, EU, ES, EL, EM, EV, SXE, CMT, CMR, ME

Electric conductor, Control box, Key switch, etc.
RCL, RCB, RSP, KS, ACT

Dimensions

**UC
G**

Integral lock UC, G series

Text P.29

Series	Cylinder [symbol]	Knob	Function No.	Backset	D.T (Door thickness)
UC	V18 [V] GV [GV]	Q, B	1, 3, 45, 5, 6, 7	UC...57, 64, 83, 100mm G...64, 100mm	25~33·33~43· 43~53mm
UC, G	6pin [P] (standard) 7pin [Z]	Q, Y, K, B	—	—	—
G	5pin [N] SP5pin [S]	E	5	64, 100mm	—

Information

Pin cylinder, Keying system, Function No. To order, etc.

Locks

Push-pull handle lock
Handle designs
PXK, PX, PZK, PZ, PLK, PL, PVKU, PY, PYS

Lever handle lock
Handle designs
AHL, AHL-P, LGK, LG, LX, LH, HL, LY, LW

Mortise lock
Knob designs
AH, AHP, AS, HS

Integral lock
UC, G

Cylindrical lock
UH, US

Dead lock
LDK, LD, HD, 1502/1503, AHD, AD, GK, GG, HN, ANT

Rim dead lock
MH, MD, MDU

Cremon bolt
CMM

Glass door lock
2510, HDT, CG, AG, BGU

Sliding door lock
SK, PSS, SAK, SN, TSD, AD(B/S600)

Cup handle lock
AHC, ASC, HSTC, UCC, GC

Emergency lock
AHLH, AHH, HSTH, HDH, AHDH

Electric lock & Security system

RF key
Remo. con. key
Ten key pad
KRS, KRC, BTKLX, TKS

Hotel card lock
JCLM, JCL

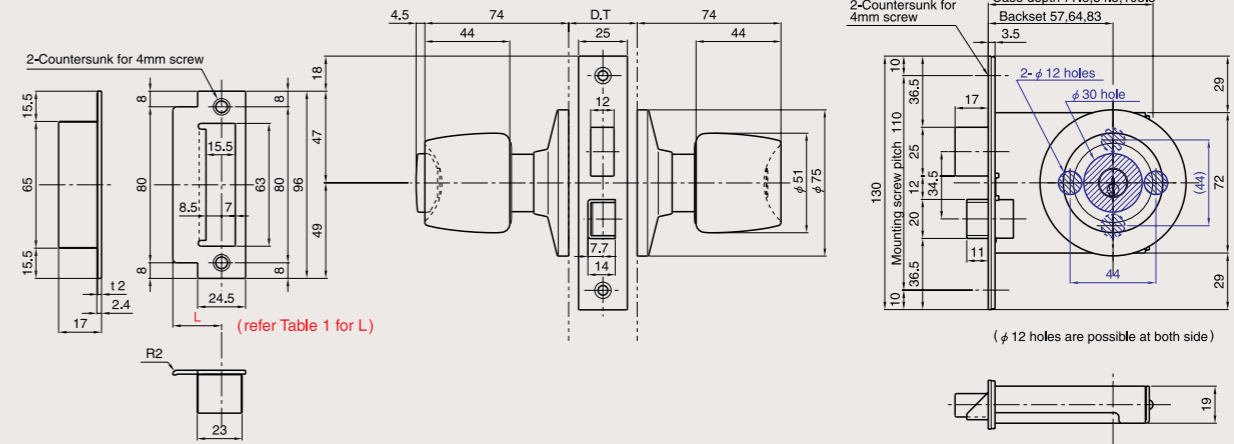
Electric lock
PXE, PZE, EZS, EXS, EXM, EU, ES, EL, EM, EV, SXE, CMT, CMR, ME

Electric conductor, Control box, Key switch, etc.
RCL, RCB, RSP, KS, ACT

Dimensions

Dimensions (unit : mm)

● **P-UC-5Q** (B/s 57, 64, 83mm) <shown UC-5 with 6 pin cyl., Q type knob>



● **P-UC-5Q** (B/s 100mm)

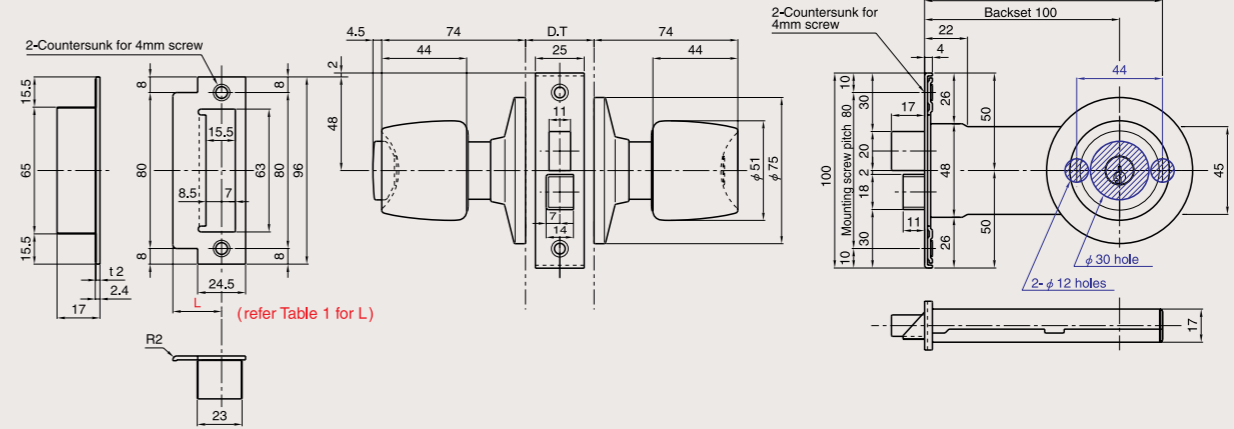
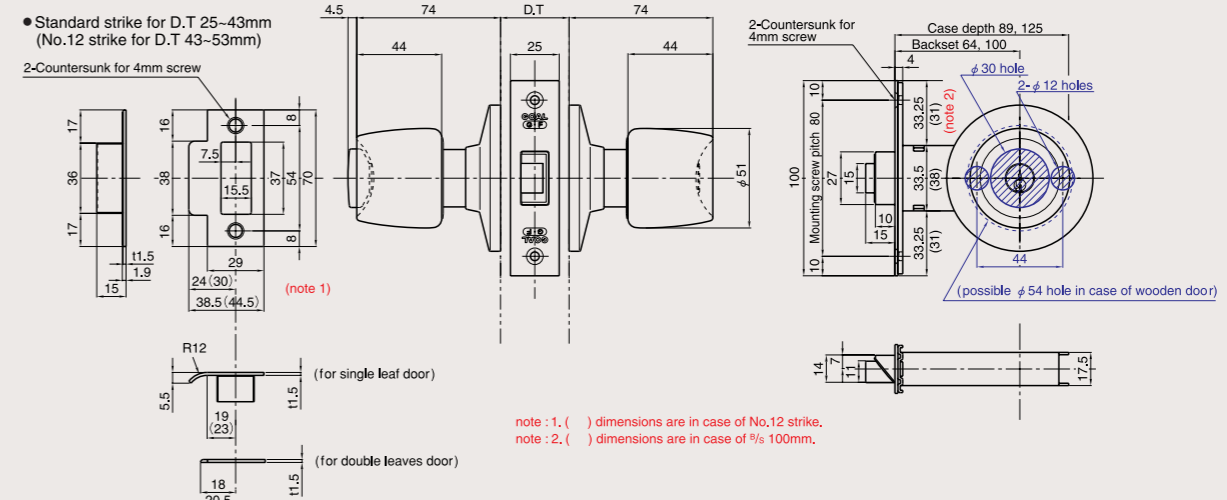


Table 1. L dimension

D.T (mm)	Single leaf door		Double leaves door		Double leaves door			
	Strike	L (mm)	D.T (mm)	Strike	L (mm)	D.T (mm)	Strike	L (mm)
25~33	20 L	20	29~33	16 L (d)	16	41~47	23 L (d)	23
33~43	25 L	25	33~37	18 L (d)	18	47~51	25 L (d)	25
43~53	30 L	30	37~41	20 L (d)	20	51~57	28 L (d)	28

● **P-G-5Q** (B/s 64, 100mm) <shown G-5 with 6 pin cyl., Q type knob>



1502 1503 AHD Mortise dead lock 1502.1503, AHD series

Text P.33

Series	Cylinder [symbol]	Function No.	Backset	D.T (Door thickness)
1502	6pin [P] (standard)	3, 5, 6, 7	1502...25mm	28~38·38~48·48~58mm
1503	7pin [Z] V18 [V]		1503...32mm	
AHD	GV [GV]		76, 100mm	35~50mm

Dimensions (unit : mm)

● V-1502, 1503-5 (B/s 25, 32mm) <shown 1502·1503-5 with V18 cyl.>

(refer Table 1 for A, B)

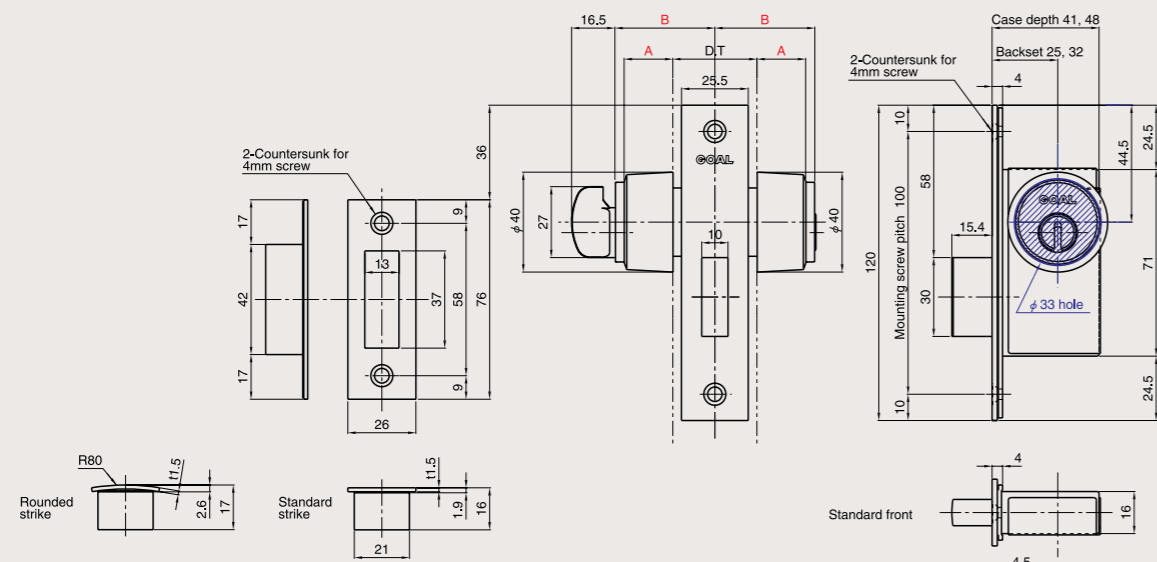


Table 1. A, B dimensions

D.T (mm)	A (mm)	B (mm)
28~38	19.5	36
38~48	14.5	36
48~58	19.5	46
58~68	14.5	46
68~78	19.5	56

● V-AHD-5 (B/s 76, 100mm) <shown AHD-5 with V18 cyl.>

(refer Table 1 for A, B)

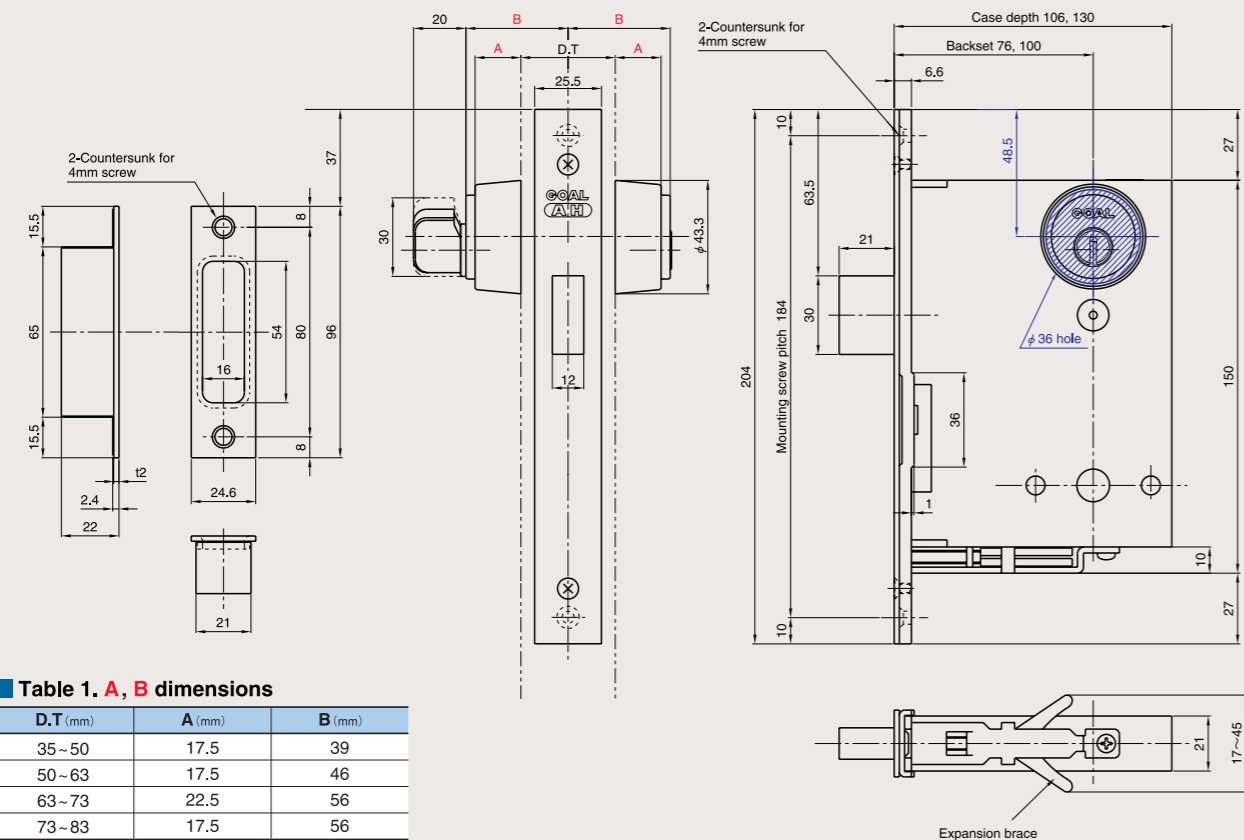


Table 1. A, B dimensions

D.T (mm)	A (mm)	B (mm)
35~50	17.5	39
50~63	17.5	46
63~73	22.5	56
73~83	17.5	56

Information

Pin cylinder, Keying system, Function No., To order, etc.

Locks

Push-pull handle lock
Handle designs
PXK, PX, PZK, PZ, PLK, PL, PVKU, PY, PYS

Lever handle lock

Handle designs
AHL, AHL, LGK, LG, LX, LH, HL, LY, LW

Mortise lock

Knob designs
AH, AHP, AS, HS

Integral lock

UC, G

Cylindrical lock

UH, US

Dead lock

LDK, LD, HD, 1502/1503, AHD, AD, GK, GG, HN, ANT

Rim dead lock

MH, MD, MDU

Cremon bolt

CMM

Glass door lock

2510, HDT, CG, AG, BGU

Sliding door lock

SX, PSS, SAK, SN, TSD, AD(B/S600)

Cup handle lock

AHC, ASC, HSTC, UCC, GC

Emergency lock

AHLH, AHH, HSTH, HDH, AHDH

Electric lock & Security system

RF key

Remo. con. key
Ten key pad
KRS, KRC, BTKLX, TKS

Hotel card lock

JCLM, JCL

Electric lock

PXE, PZE, EZS, EXS, EXM, EU, ES, EL, EM, EV, SXE, CMT, CMR, ME

Electric conductor, Control box, Key switch, etc.

RCL, RCB, RSP, KS, ACT

Dimensions

AD

Tubular dead lock AD series

Text P.34

Backset	D.T (Door thickness)
50, 60, 64, 70mm	(refer to under table)

Information

Pin cylinder, Keying system, Function No., To order, etc.

Locks

Push-pull handle lock
Handle designs
PXK, PX, PZK, PZ, PLK, PL, PVKU, PY, PYS

Lever handle lock

Handle designs
AHL, AHL, LGK, LG, LX, LH, HL, LY, LW

Mortise lock

Knob designs
AH, AHP, AS, HS

Integral lock

UC, G

Cylindrical lock

UH, US

Dead lock

LDK, LD, HD, 1502/1503, AHD, AD, GK, GG, HN, ANT

Rim dead lock

MH, MD, MDU

Cremon bolt

CMM

Glass door lock

2510, HDT, CG, AG, BGU

Sliding door lock

SX, PSS, SAK, SN, TSD, AD(B/S600)

Cup handle lock

AHC, ASC, HSTC, UCC, GC

Emergency lock

AHLH, AHH, HSTH, HDH, AHDH

Electric lock & Security system

RF key

Remo. con. key
Ten key pad
KRS, KRC, BTKLX, TKS

Hotel card lock

JCLM, JCL

Electric lock

PXE, PZE, EZS, EXS, EXM, EU, ES, EL, EM, EV, SXE, CMT, CMR, ME

Electric conductor, Control box, Key switch, etc.

RCL, RCB, RSP, KS, ACT

Dimensions

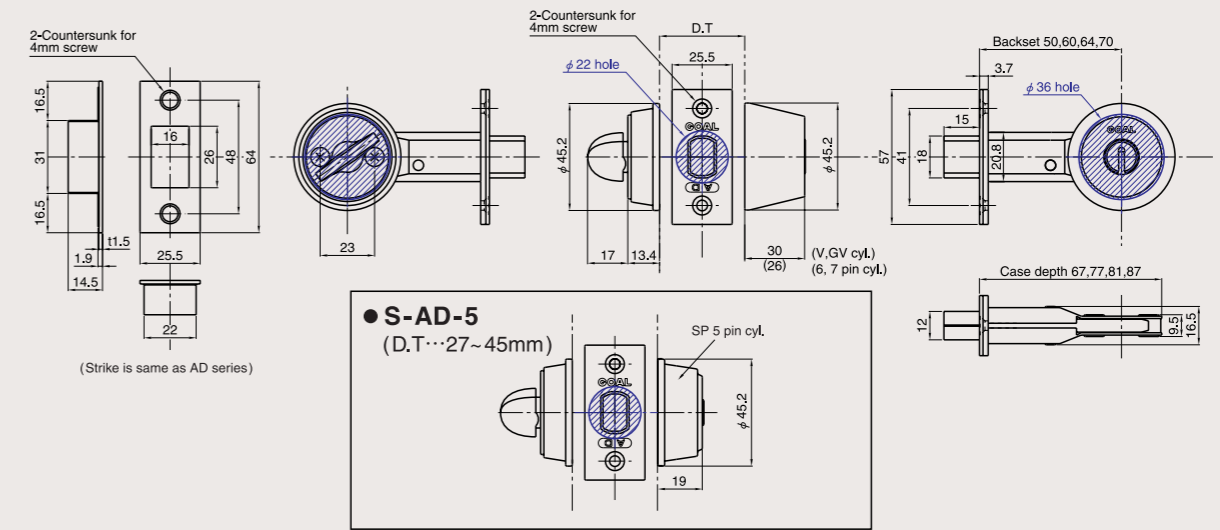
Dimensions (unit : mm)

AD series Door thickness

Cylinder [symbol]	Function No.	D.T (Door thickness)
—	AD-3	30~45mm
GV [GV]	V, GV-AD-5, 7	30~43·43~53mm
V18 [V]	V, GV-AD-6	30~40·40~50mm
7pin [Z]	P, Z-AD-5	30~45·45~55mm
6pin [P] (standard)	P, Z-AD-6	37~47·47~57mm
	P, Z-AD-7	30~55mm
SP5pin [S]	S-AD-5	27~45mm

● V (GV)-AD-5 (D.T...30~43·43~53mm)

● P (Z)-AD-5 (D.T...30~45·45~55mm)

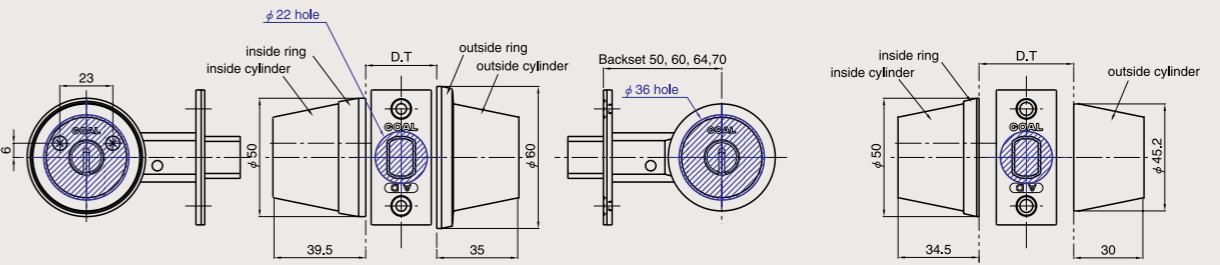


● S-AD-5 (D.T...27~45mm)

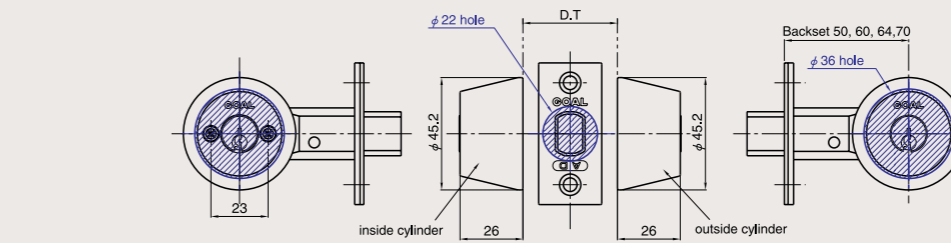
(Strike is same as AD series)

● V (GV)-AD-6 (D.T...30~40mm)

● V (GV)-AD-6 (D.T...40~50mm)



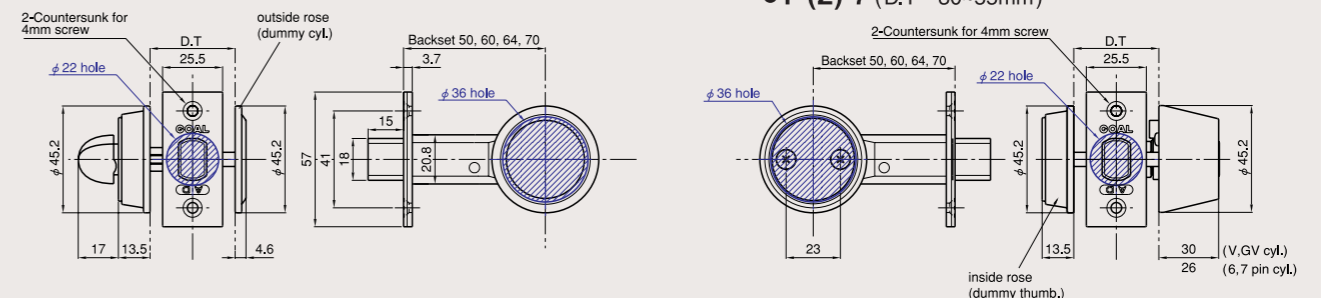
● P (Z)-AD-6 (D.T...37~47·47~57mm)



● AD-3 (D.T...30~45mm)

● V (GV)-7 (D.T...30~43·43~53mm)

● P (Z)-7 (D.T...30~55mm)



HN ANT Night-latch lock (Automatically locking lock)

HN, ANT series

Text P.35

Series	Cylinder [symbol]	Function No.	Backset	D.T (Door thickness)
HNL, HNS	6pin [P] (standard)	3, 5, 6, 7	34mm	29~43·43~53mm
HNB, HNT	7pin [Z]		51mm	
ANT	V18 [V] GV [GV]		70mm	refer to under table

Dimensions (unit : mm)

● V-HNL, HNS, HNB, HNT-5 (B/s 34,51mm) <shown HNS-5 with V18 cyl.>

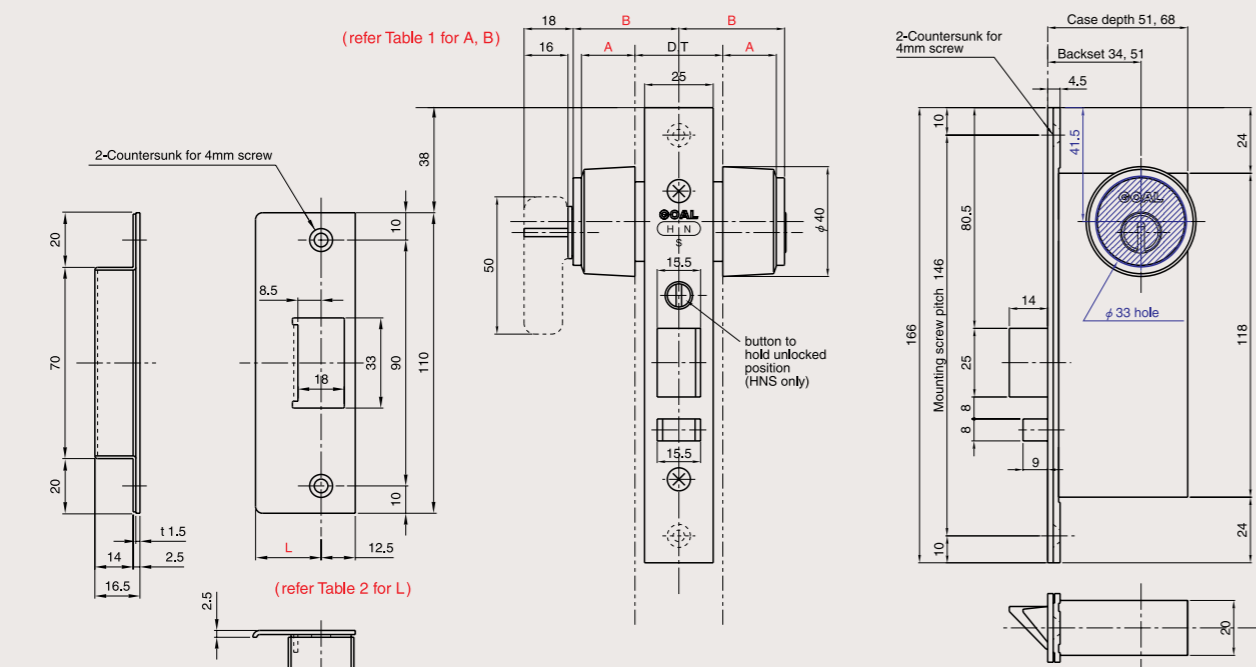


Table 1. A, B dimensions

D.T (mm)	A (mm)	B (mm)
29~43	19.5	38.5
43~53	14.5	38.5
53~63	19.5	48.5

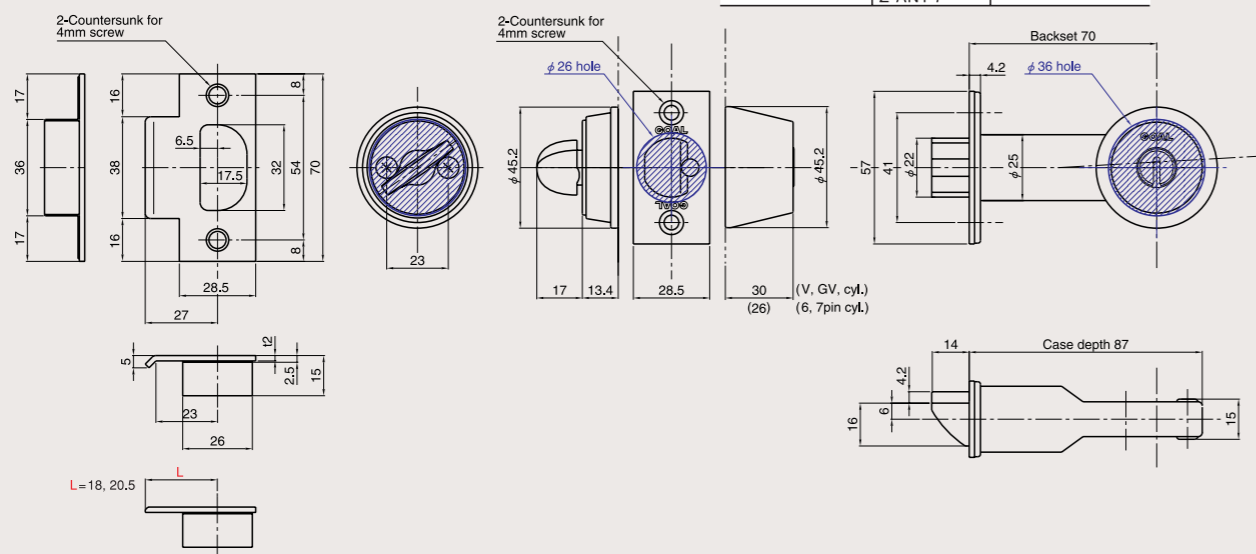
Table 2. L dimension

Single leaf door			Double leaves door		
D.T (mm)	Strike	L (mm)	D.T (mm)	Strike	L (mm)
33~38			33~37	18 L (d)	18
38~43	24 L	24	37~41	20 L (d)	20
43~48			41~45	22 L (d)	22
48~53	30 L	30	45~49	24 L (d)	24
			49~53	26 L (d)	26

● ANT series Door thickness

Cylinder [symbol]	Function No.	D.T (Door thickness)
	ANT-3	35~45mm
GV [GV]	V.GV-ANT-5,7	35~45mm
V18 [V]	V.GV-ANT-6	37~47mm
	P-ANT-5	35~45·45~55mm
	Z-ANT-5	
6pin [P] (standard)	P-ANT-6	37~47·47~57mm
7pin [Z]	Z-ANT-6	
	P-ANT-7	35~55mm
	Z-ANT-7	

● V-ANT-5 (B/s 70mm) <shown ANT-5 with V18 cyl.>



Information

Pin cylinder, Keying system, Function No., To order, etc.

Locks

Push-pull handle lock
Handle designs
PXK, PX, PZK, PZ, PLK, PL, PVKU, PY, PYS

Lever handle lock
Handle designs
AHL, AHL, LGK, LG, LX, LH, HL, LY, LW

Mortise lock
Knob designs
AH, AHP, AS, HS

Integral lock
UC, G

Cylindrical lock
UH, US

Dead lock
LDK, LD, HD, 1502/1503, AHD, AD, GK, GG, HN, ANT

Rim dead lock
MH, MD, MDU
Cremon bolt
CMM

Glass door lock
2510, HDT, CG, AG, BGU

Sliding door lock
SK, PSS, SAK, SN, TSD, AD(B/S600)

Cup handle lock
AHC, ASC, HSTC, UCC, GC

Emergency lock
AHLH, AHH, HSTH, HDH, AHDH

Electric lock & Security system

RF key
Remo. con. key
Ten key pad
KRS, KRC, BTKLX, TKS

Hotel card lock
JCLM, JCL

Electric lock
PXE, PZE, EZS, EXS, EXM, EU, ES, EL, EM, EV, SXE, CMT, CMR, ME

Electric conductor, Control box, Key switch, etc.
RCL, RCB, RSP, KS, ACT

Dimensions

MH Rim dead lock

MH series

Text P.36

Cylinder [symbol]	Function No.	D.T (Door thickness)
V18 [V] (standard) GV [GV]	5	30~50mm

Information

Pin cylinder, Keying system, Function No., To order, etc.

Locks

Push-pull handle lock
Handle designs
PXK, PX, PZK, PZ, PLK, PL, PVKU, PY, PYS

Lever handle lock
Handle designs
AHL, AHL, LGK, LG, LX, LH, HL, LY, LW

Mortise lock
Knob designs
AH, AHP, AS, HS

Integral lock
UC, G

Cylindrical lock
UH, US

Dead lock
LDK, LD, HD, 1502/1503, AHD, AD, GK, GG, HN, ANT

Rim dead lock
MH, MD, MDU
Cremon bolt
CMM

Glass door lock
2510, HDT, CG, AG, BGU

Sliding door lock
SK, PSS, SAK, SN, TSD, AD(B/S600)

Cup handle lock
AHC, ASC, HSTC, UCC, GC

Emergency lock
AHLH, AHH, HSTH, HDH, AHDH

Electric lock & Security system

RF key
Remo. con. key
Ten key pad
KRS, KRC, BTKLX, TKS

Hotel card lock
JCLM, JCL

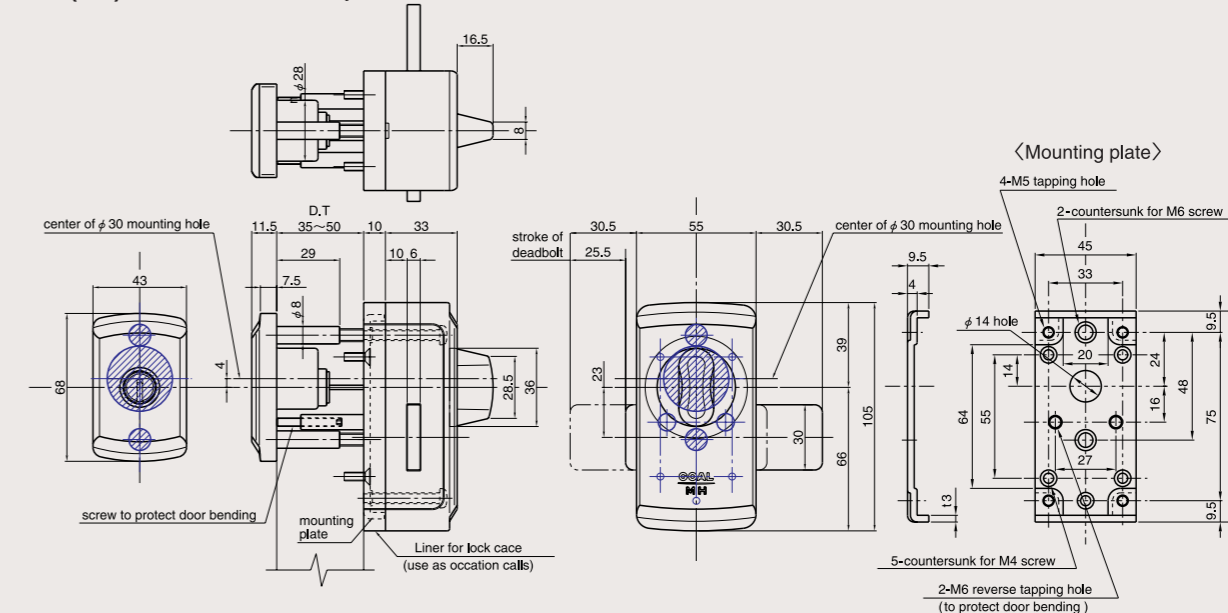
Electric lock
PXE, PZE, EZS, EXS, EXM, EU, ES, EL, EM, EV, SXE, CMT, CMR, ME

Electric conductor, Control box, Key switch, etc.
RCL, RCB, RSP, KS, ACT

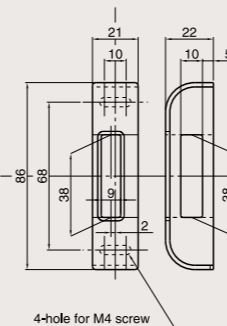
Dimensions

Dimensions (unit : mm)

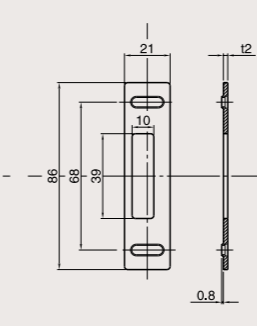
● V (GV) -MH-5 <shown V18 cyl.>



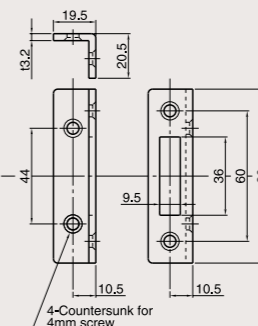
● Normal strike



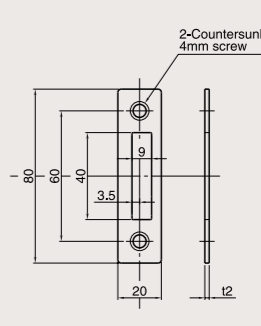
● Liner for normal strike (use as occasion calls)



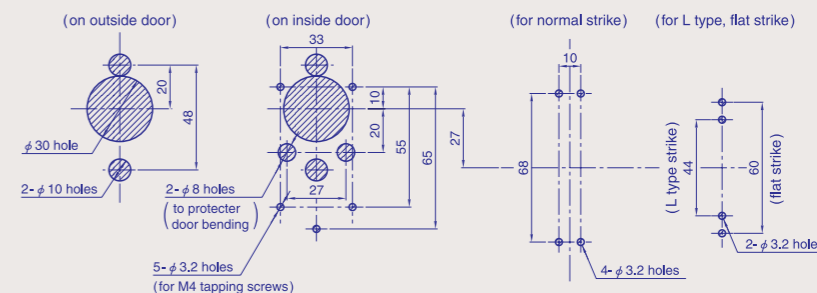
● L type strike (t 3.2mm)



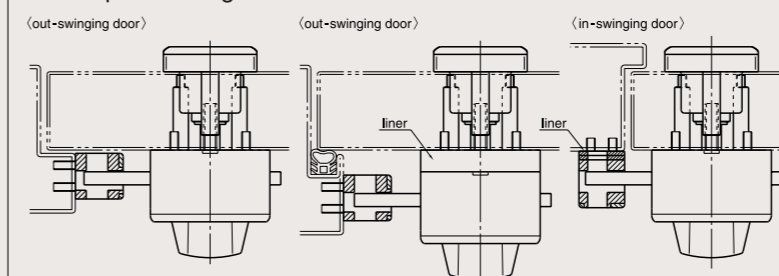
● Flat strike (t 2mm)



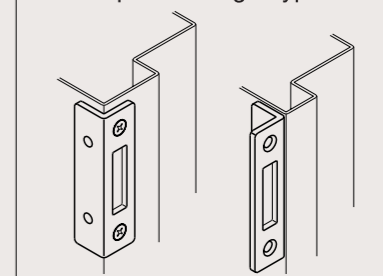
Door preparations



● Example of using normal strike



● Example of using L type strike



GK Guard lock GK series

Text P.34

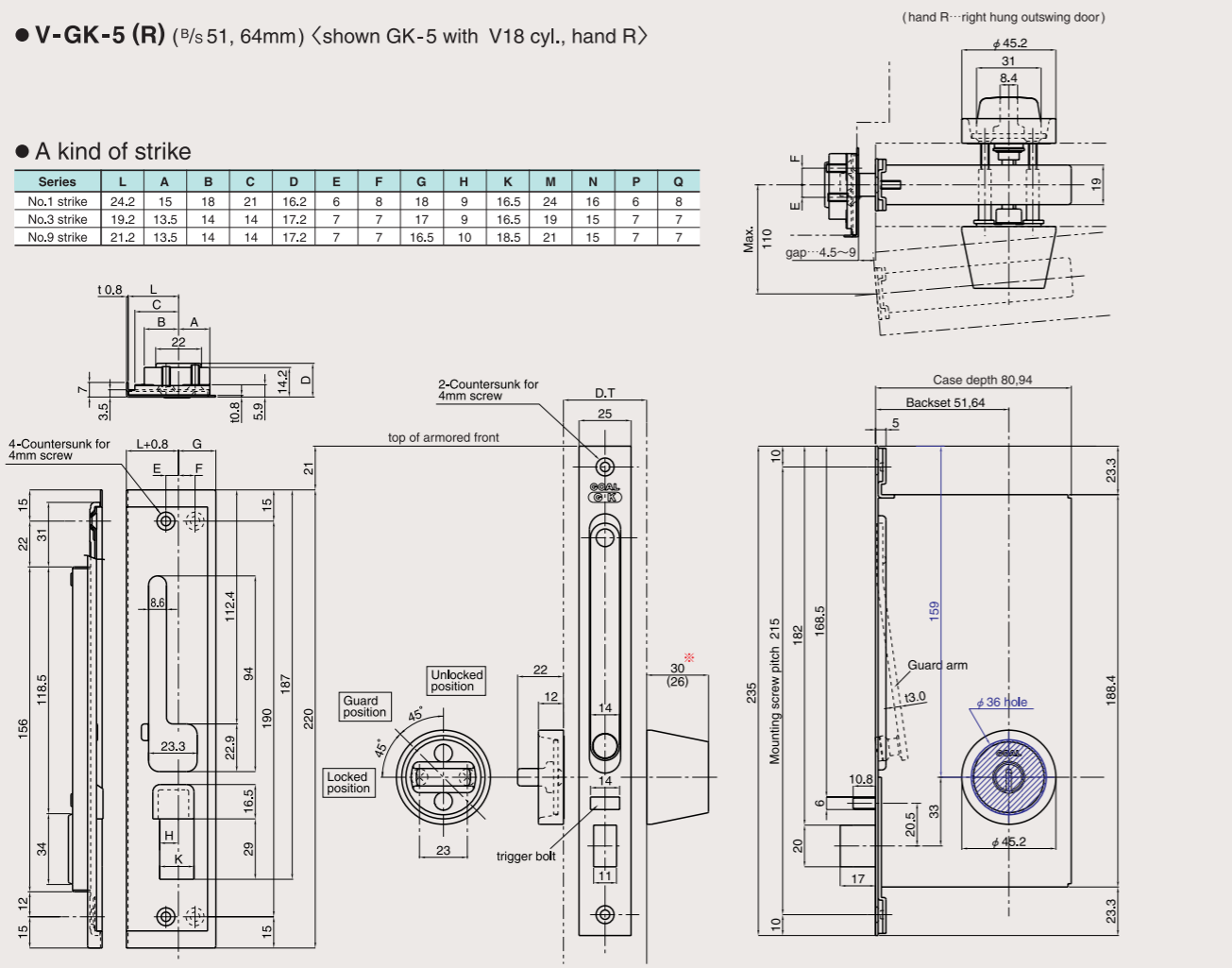
Cylinder [symbol]	Function No.	Backset	D.T (Door thickness)
6pin [P] (standard)	5	51, 64mm	36~46mm
7pin [Z]			
V18 [V]			
GV [GV]			

Dimensions (unit : mm)

● V-GK-5 (R) (B/s 51, 64mm) <shown GK-5 with V18 cyl., hand R>

● A kind of strike

Series	L	A	B	C	D	E	F	G	H	K	M	N	P	Q
No.1 strike	24.2	15	18	21	16.2	6	8	18	9	16.5	24	16	6	8
No.3 strike	19.2	13.5	14	14	17.2	7	7	17	9	16.5	19	15	7	7
No.9 strike	21.2	13.5	14	14	17.2	7	7	16.5	10	18.5	21	15	7	7

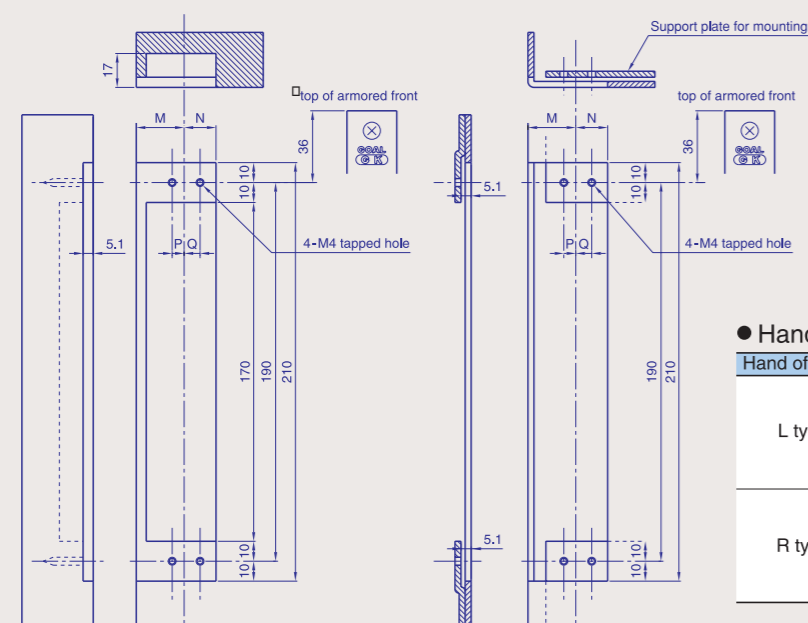


※ 30 (V, GV cyl.)
26 (P, Z cyl.)

< Jamb preparation to mount the strike >

< Wooden door >

< Steel door >



● Hand of GK

Hand of strike	Adaptable hand of door	
L type	outside	inside
	inside	outside
R type	outside	inside
	inside	outside

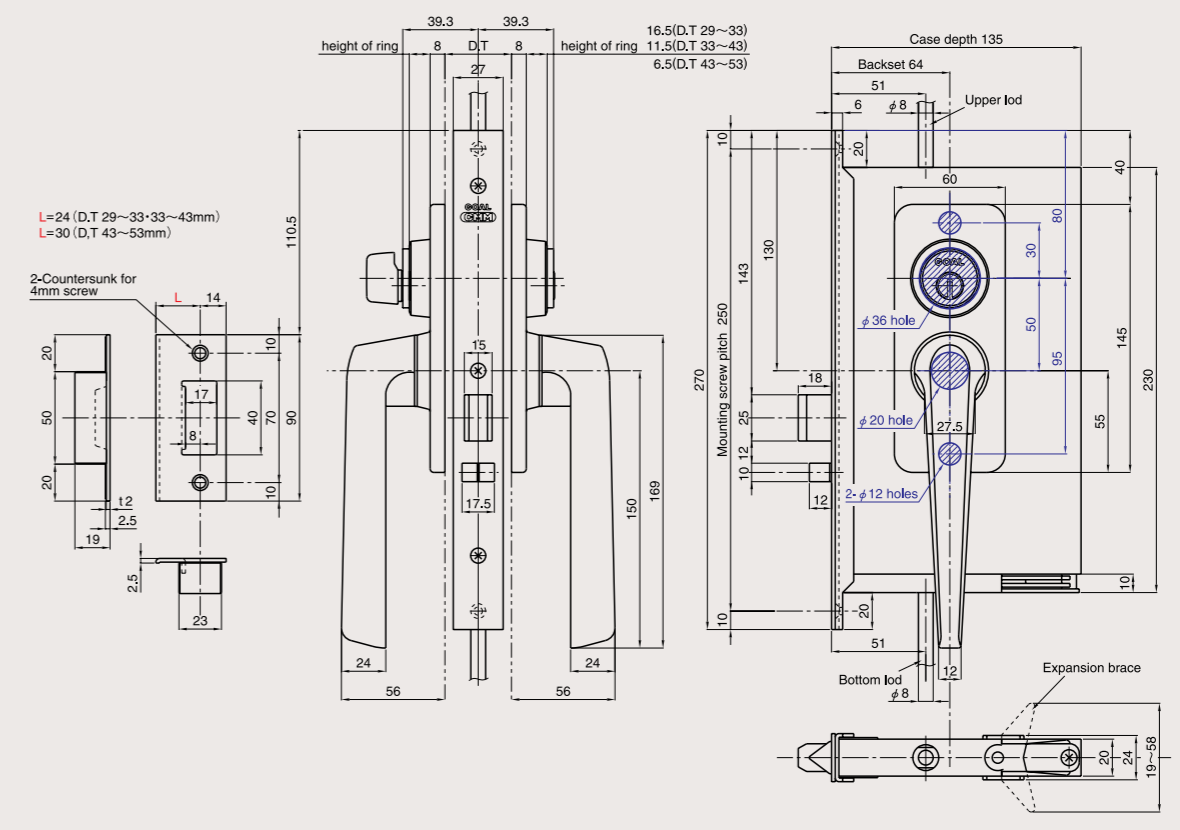
CMM Cremon bolt lock CMM series

Text P.37

Cylinder [symbol]	Function No.	Backset	D.T (Door thickness)
6pin [P] (standard)	1, 3, 5, 6, 7	64mm	29~33·33~43·43~53mm
7pin [Z]			
V18 [V]			
GV [GV]			

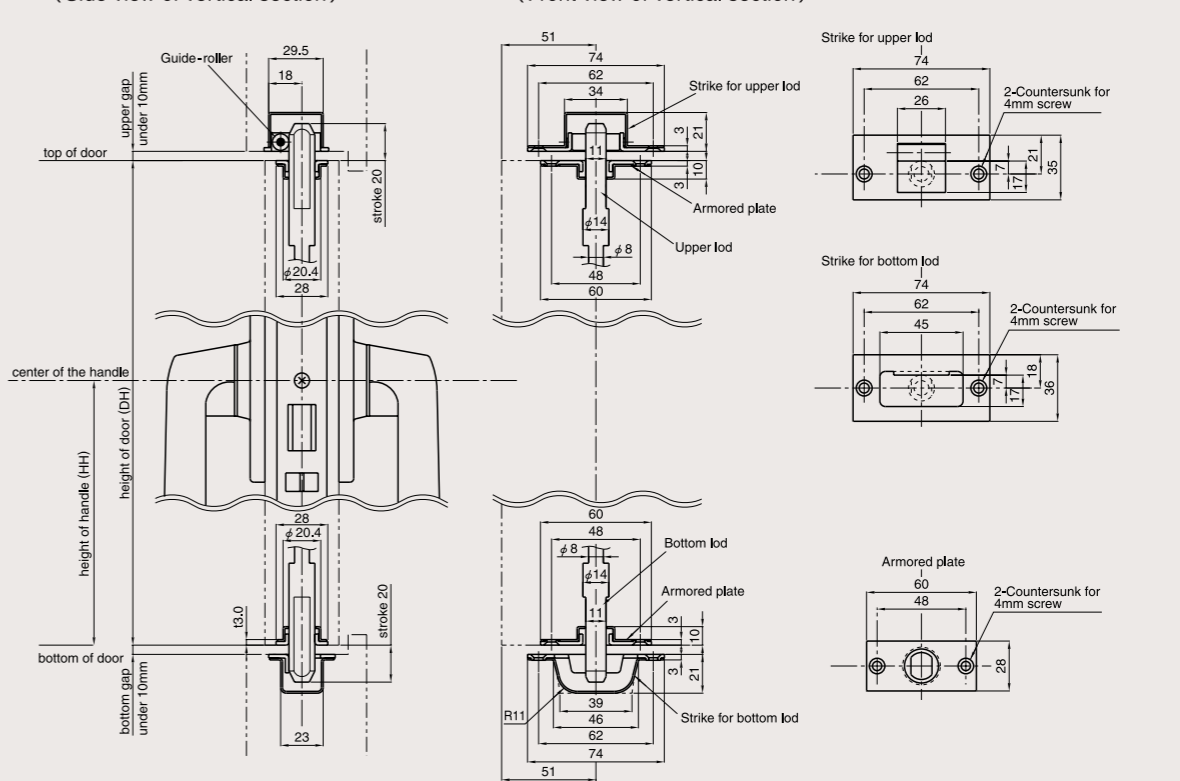
Dimensions (unit : mm)

● V-CMM-5 <shown CMM-5 with V18 cyl.>



< Side view of vertical section >

< Front view of vertical section >



Information

Pin cylinder, Keying system, Function No. To order, etc.

Locks

Push-pull handle lock
Handle designs
PXK, PX, PZK, PZ, PLK, PL, PVKU, PY, PYS

Lever handle lock
Handle designs
AHL, AHL-P, LGK, LG, LX, LH, HL, LY, LW

Mortise lock
Knob designs
AH, AHP, AS, HS

Integral lock
UC, G

Cylindrical lock
UH, US

Dead lock
LDK, LD, HD, 1502/1503, AHD, AD, GK, GG, HN, ANT

Rim dead lock
MH, MD, MDU
Cremon bolt
CMM

Glass door lock
2510, HDT, CG, AG, BGU

Sliding door lock
SX, PSS, SAK, SN, TSD, AD(B/S600)

Cup handle lock
AHC, ASC, HSTC, UCC, GC

Emergency lock
AHLH, AHH, HSTH, HDH, AHDH

Electric lock & Security system

RF key
Remo. con. key
Ten key pad
KRS, KRC, BTKLX, TRS

Hotel card lock
JCLM, JCL

Electric lock
PXE, PZE, EZS, EXS, EXM, EU, ES, EL, EM, EV, SXE, CMT, CMR, ME

Electric conductor, Control box, Key switch, etc.
RCL, RCB, RSP, KS, ACT

Dimensions

AG BGU Glass door lock AG, BGU series

Text P.39

Series	Cylinder [symbol]	Function No.	Backset	D.T (Door thickness)
AG	6pin [P] (standard) 7pin [Z]	3, 5, 6, 7	51mm	35~39.5mm (standard) 39.5~44mm (thick door)
	V18 [V] GV [GV]		cylinder side...47mm thumbturn side...51mm	44~48.5~48.5~53mm (thick door) 53~57.5~57.5~60mm (thick door)
	BGU [P], [Z], [V], [GV]		24mm	27~47mm

Dimensions (unit : mm)

● V, (GV)-AG-5 <shown AG-5 with V18 cyl.>

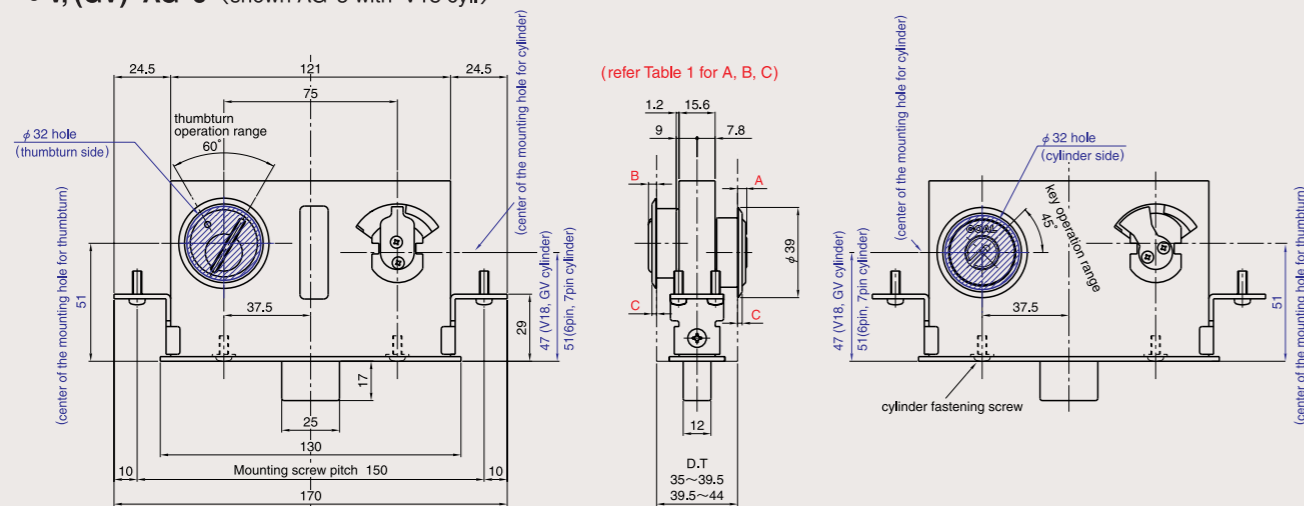


Table 1. A, B, C dimensions

Cylinder	D.T (mm)	35	36	37	38	39.5	40	41	42	43	44
P, Z	A (mm)	3.5	3	2.5	2	2	1	1	1	1	1
V	A (mm)	4.5	4	3.5	3	2.5	2	1.5	1	1	1
GV	A (mm)	6	5.5	5	4.5	4	3.5	3	2.5	2	1.5
P, Z, V, GV	B (mm)	3.5	3	2.5	2				1		
P, Z, V, GV	C (mm)				2					1	
P, Z, V, GV	ring				standard ring					ring for thick door	

<Top strike> (option) (same as 2510 top strike, refer to P.96)
<Bottom strike> (option) (same as 2510 bottom strike, refer to P.96)

● V(GV)-BGU-5 (B/s 24mm) <shown BGU-5 with V18 cyl.> (Door thickness...27~32•32~37•37~42•42~47mm)

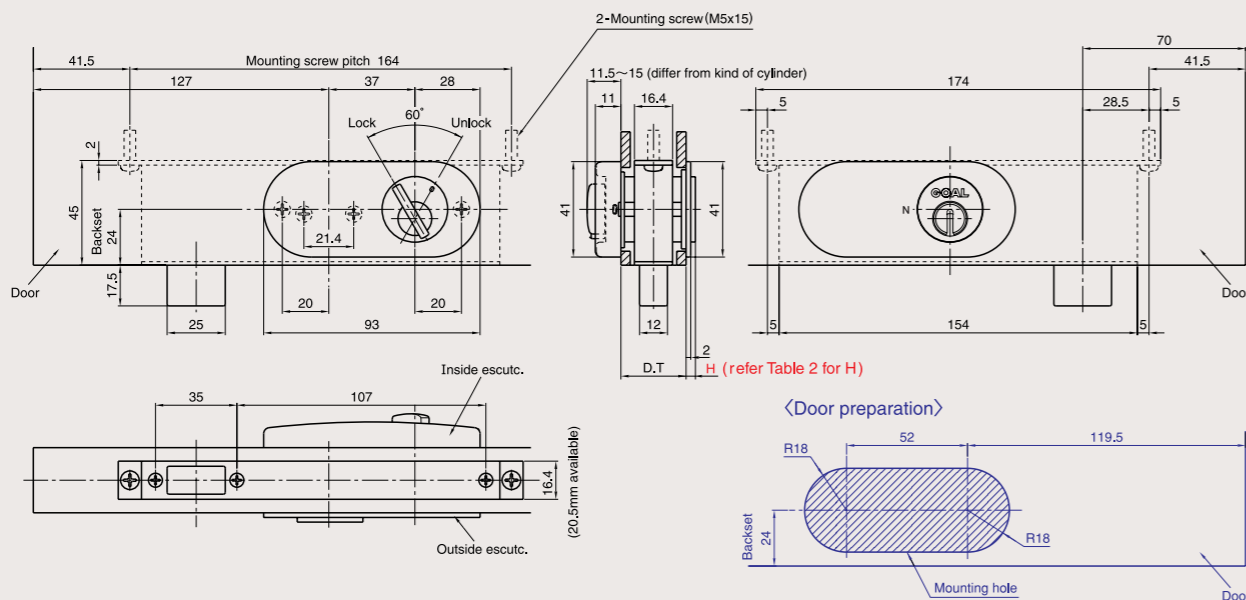


Table 2. H dimensions

Cylinder	H
P	2.5mm
Z	3 mm
V18	2.5mm
GV	4 mm

Information

Pin cylinder, Keying system, Function No., To order, etc.

Locks

Push-pull handle lock
Handle designs
PXK, PX, PZK, PZ, PLK, PL, PVKU, PY, PYS

Lever handle lock
Handle designs
AHL, AHL, LGK, LG, LX, LH, HL, LY, LW

Mortise lock
Knob designs
AH, AHP, AS, HS

Integral lock
UC, G

Cylindrical lock
UH, US

Dead lock
LDK, LD, HD, 1502/1503, AHD, AD, GK, GG, HN, ANT

Rim dead lock
MH, MD, MDU
Cremon bolt
CMM

Glass door lock
2510, HDT, CG, AG, BGU

Sliding door lock
SX, PSS, SAK, SN, TSD, AD(B/S600)

Cup handle lock
AHC, ASC, HSTC, UCC, GC

Emergency lock
AHLH, AHH, HSTH, HDH, AHDH

Electric lock & Security system

RF key
Remo. con. key
Ten key pad
KRS, KRC, BTKLX, TKS

Hotel card lock
JCLM, JCL

Electric lock
PXE, PZE, EZS, EXS, EXM, EU, ES, EL, EM, EV, SXE, CMT, CMR, ME

Electric conductor, Control box, Key switch, etc.
RCL, RCB, RSP, KS, ACT

Dimensions

SX Sliding door lock SX series

Text P.40

Cylinder [symbol]	Function No.	Backset	D.T (Door thickness) (note 1)
6pin [P] (standard) 7pin [Z] V18 [V] GV [GV]	3, 5, 6, 7	51mm	SX-3, 45, 5 (Cup thumb)... 33~43•43~53mm SX-3, 45, 5 (LX, FL thumb)... 29~43•43~53mm SX-6, 7... 29~43•43~53mm

note 1 : Door thickness must be over 36mm in case of wooden door.

Dimensions (unit : mm)

● V-SX-5 (B/s 51mm) <shown V18 cyl., Cup thumb.>

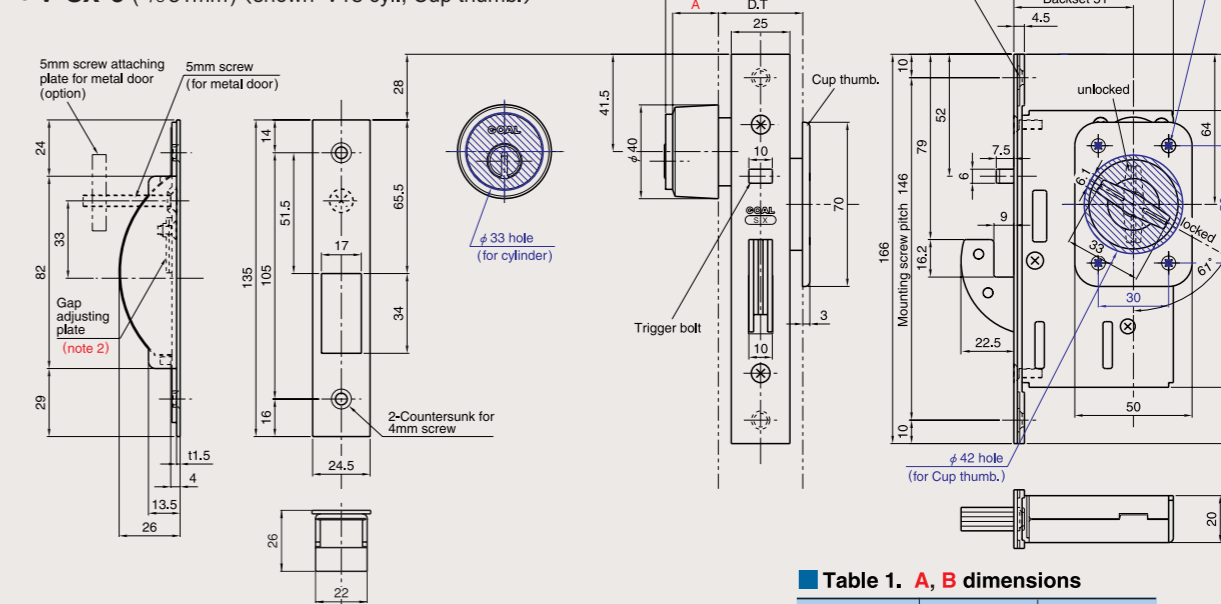


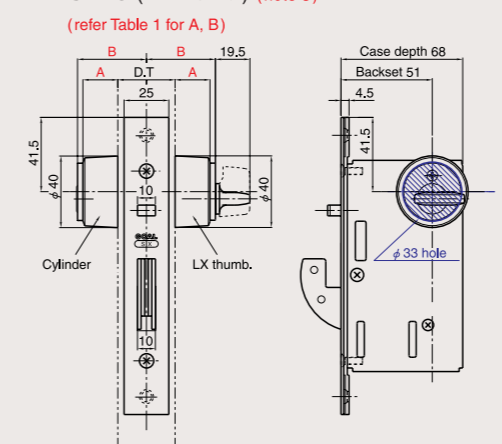
Table 1. A, B dimensions

D.T (mm)	A (mm)	B (mm)
29~43	19.5	38.5
43~53	14.5	38.5
53~63	19.5	48.5
63~73	14.5	48.5
73~83	19.5	58.5

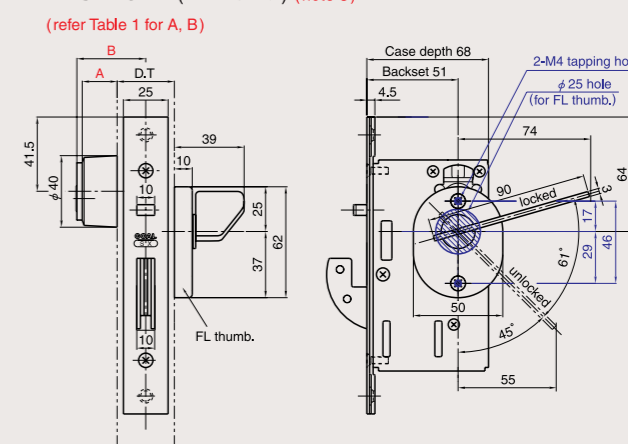
note 2 : Two gap-adjusting plates are included with the strike. These are used to adjust the gap as follows.

Gap	0~2.5mm	2.5~3.8mm	3.8~5mm
Usage	Use both plates.	Remove one plate.	Remove both plates.

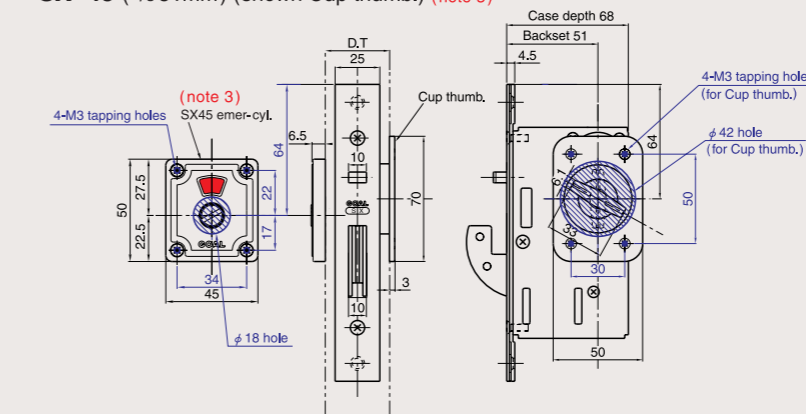
● V-SX-5 (LX thumb.) (note 3)



● V-SX-5FL (FL thumb.) (note 3)



● SX-45 (B/s 51mm) (shown Cup thumb.) (note 3)



note 3 : Cylinder (45 emer-cyl.) and thumbturn are can be combined freely.

Information

Pin cylinder, Keying system, Function No., To order, etc.

Locks

Push-pull handle lock
Handle designs
PXK, PX, PZK, PZ, PLK, PL, PVKU, PY, PYS

Lever handle lock
Handle designs
AHL, AHL, LGK, LG, LX, LH, HL, LY, LW

Mortise lock
Knob designs
AH, AHP, AS, HS

Integral lock
UC, G

Cylindrical lock
UH, US

Dead lock
LDK, LD, HD, 1502/1503, AHD, AD, GK, GG, HN, ANT

Rim dead lock
MH, MD, MDU
Cremon bolt
CMM

Glass door lock
2510, HDT, CG, AG, BGU

Sliding door lock
SX, PSS, SAK, SN, TSD, AD(B/S600)

Cup handle lock
AHC, ASC, HSTC, UCC, GC

Emergency lock
AHLH, AHH, HSTH, HDH, AHDH

Electric lock & Security system

RF key
Remo. con. key
Ten key pad
KRS, KRC, BTKLX, TKS

Hotel card lock
JCLM, JCL

Electric lock
PXE, PZE, EZS, EXS, EXM, EU, ES, EL, EM, EV, SXE, CMT, CMR, ME

Electric conductor, Control box, Key switch, etc.
RCL, RCB, RSP, KS, ACT

Dimensions

AD (B/s 600mm) Sliding hanged door lock TSD AD (B/s 600mm), TSD series

Text P.42

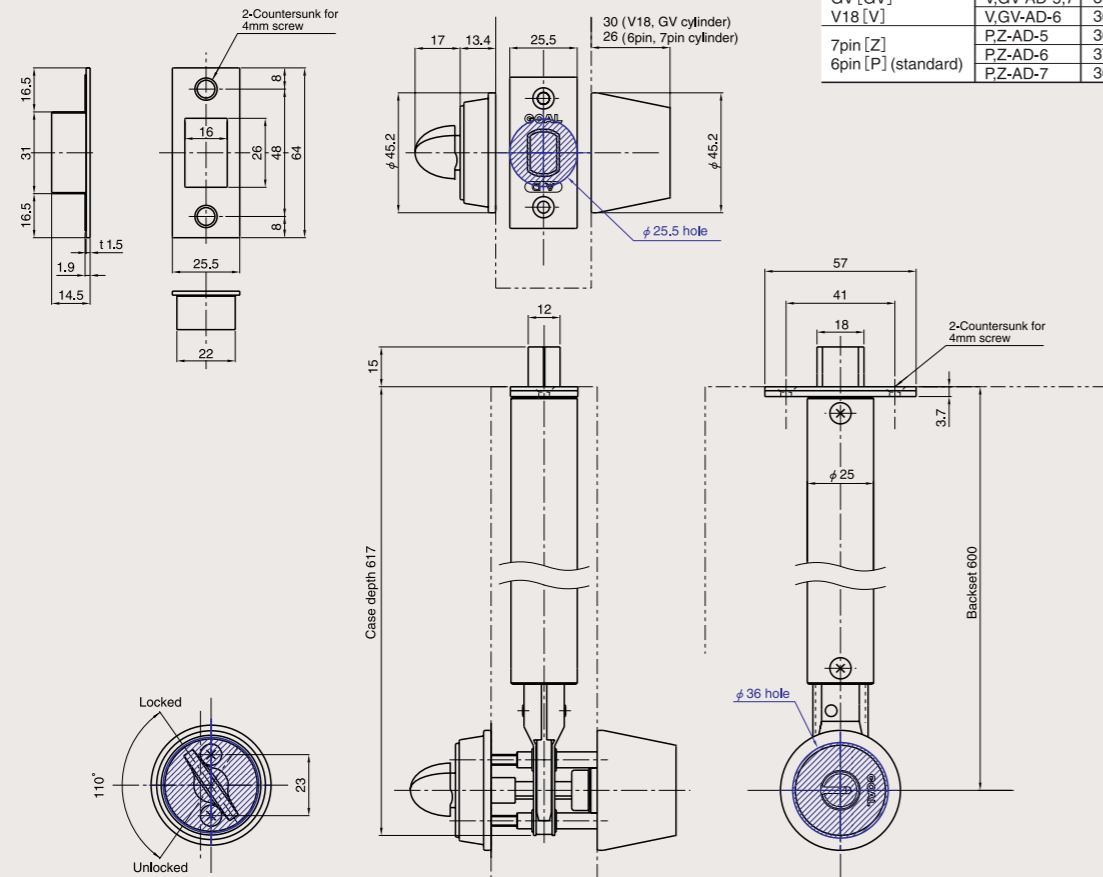
Series	Cylinder [symbol]	Function No.	Backset	D.T (Door thickness)
AD	6pin [P] (standard) 7pin [Z]	3, 5, 6, 7	600mm	Refer under table in the dimensions.
TSD	V18 [V] GV [GV]	3, 45, 45L, 5, 6, 7	29mm	Refer under table in the dimensions.

Dimensions (unit : mm)

● V (GV, P, Z)-AD-5 (B/s 600mm) <shown AD-5 with V18 cyl.>

● AD (B/s 600mm) Door thickness

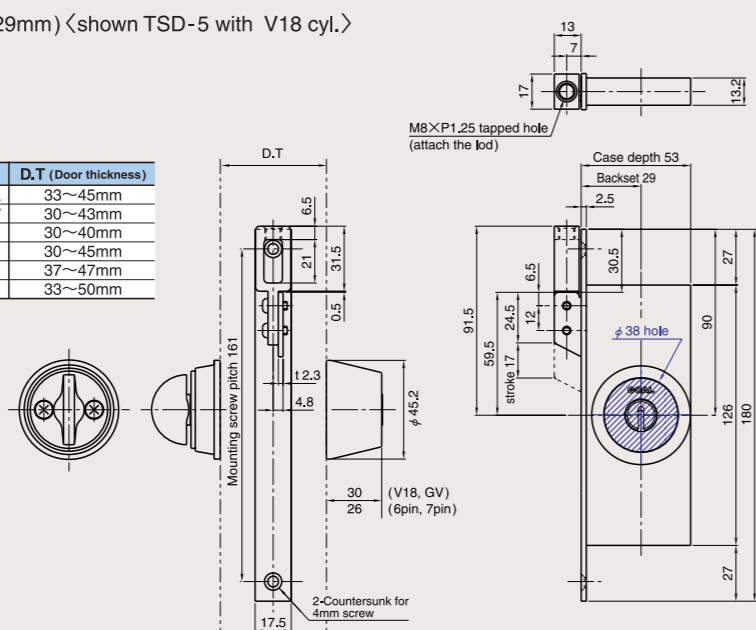
Cylinder [symbol]	Function No.	D.T (Door thickness)
(emer-cyl.)	AD-3	30~45mm
	AD-45	33~45mm
GV [GV]	V.GV-AD-5,7	30~43·43~53mm
V18 [V]	V.GV-AD-6	30~40·40~50mm
7pin [Z]	P.Z-AD-5	30~45·45~55mm
6pin [P] (standard)	P.Z-AD-6	37~47·47~57mm
	P.Z-AD-7	30~55mm



● V (GV, P, Z)-TSD-5 (B/s 29mm) <shown TSD-5 with V18 cyl.>

● TSD Door thickness

Cylinder [symbol]	Function No.	D.T (Door thickness)
	TSD-3,45,45L	33~45mm
GV [GV]	V.GV-TSD-5,7	30~43mm
V18 [V]	V.GV-TSD-6	30~40mm
7pin [Z]	P.Z-TSD-5	30~45mm
6pin [P] (standard)	P.Z-TSD-6	37~47mm
	P.Z-TSD-7	33~50mm



AHC ASC Cup handle lock with AHC, ASC series

Text P.43

Series	Cylinder [symbol]	Function No.	Backset	D.T (Door thickness)
AHC	6pin [P] (standard) 7pin [Z]	1, 3, 5, 6, 7	76, 100mm	35~43·43~50·50~53mm
ASC	V18 [V] GV [GV]		64, 76mm	31~33·33~38·38~43·43~48·48~53mm

Dimensions (unit : mm)

● (Mortise lock) V-AHC-5 (B/s 76,100mm) <shown AHC-5 with V18 cyl.>

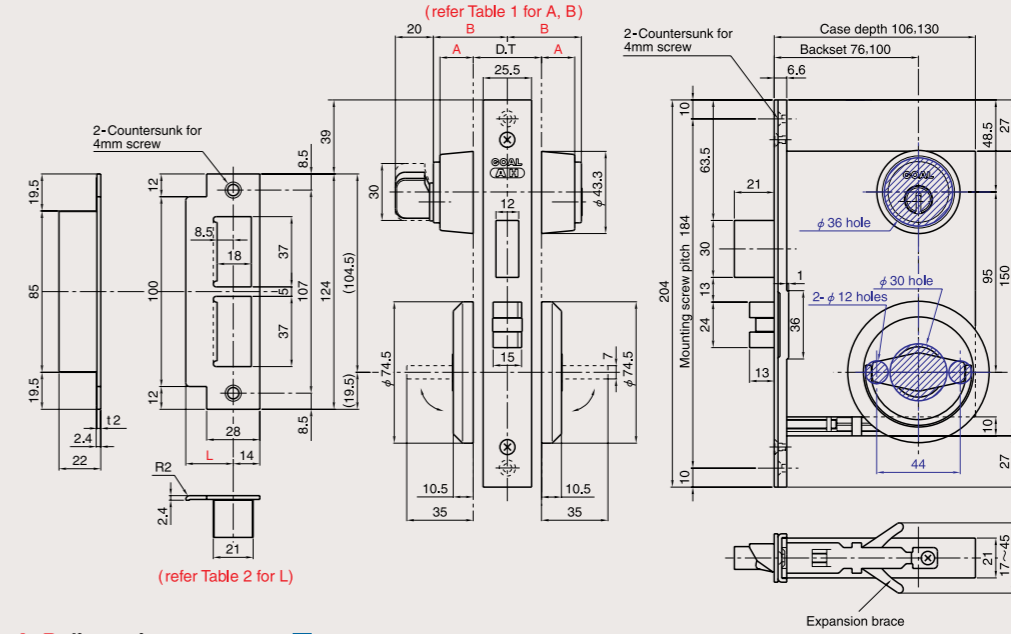


Table 1. A, B dimensions

D.T (mm)	A (mm)	B (mm)
35~50	17.5	39
50~63	17.5	46
63~73	22.5	56
73~83	17.5	56

Table 2. L dimensions

D.T (mm)	Single leaf door		Double leaves door	
	Strike	L (mm)	Strike	L (mm)
35~43	25 L	25	35~37	18 L
43~53	30 L	30	37~42	20 L
			43~47	23 L
			47~51	25 L
			53	28 L

● (Mortise lock) V-ASC-5 (B/s 64,76mm) <shown ASC-5 with V18 cyl.>

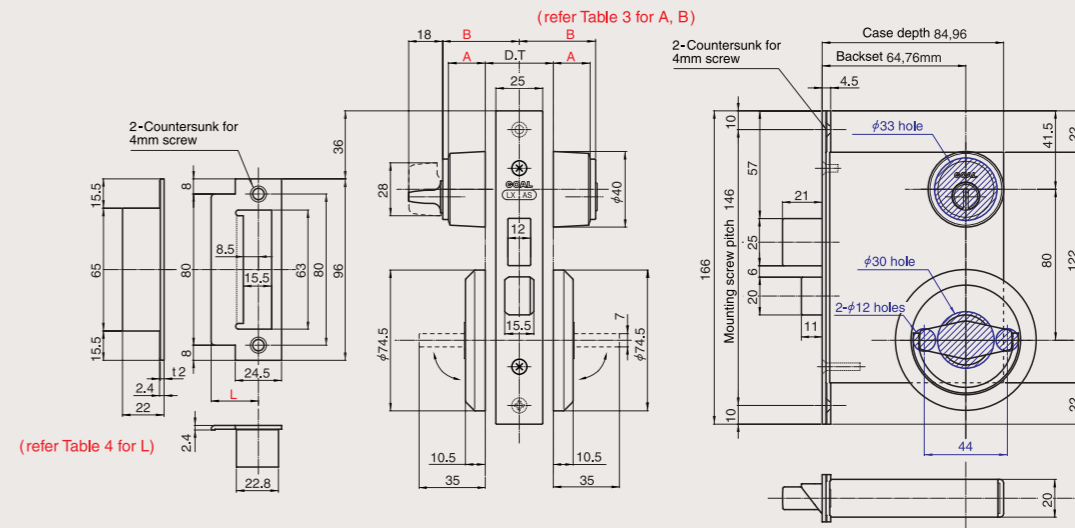


Table 3. A, B dimensions

D.T (mm)	A (mm)	B (mm)
29~43	19.5	38.5
43~53	14.5	38.5
53~63	19.5	48.5
63~73	14.5	48.5
73~83	19.5	58.5

Table 4. L dimensions

D.T (mm)	Single leaf door		Double leaves door	
	Strike	L (mm)	Strike	L (mm)
29~33	20 L	20	29~33	16 L (d)
33~43	25 L	25	33~37	18 L (d)
43~53	30 L	30	37~42	20 L (d)
			43~47	23 L (d)
			47~51	25 L (d)
			53~57	28 L (d)
			57~61	30 L (d)

Information

Pin cylinder, Keying system, Function No. To order, etc.

Locks

Push-pull handle lock
Handle designs
PXK, PX, PZK, PZ, PLK, PL, PVKU, PY, PYS

Lever handle lock
Handle designs
AHL, AHL, LGK, LG, LX, LH, HL, LY, LW

Mortise lock
Knob designs
AH, AHP, AS, HS

Integral lock
UC, G

Cylindrical lock
UH, US

Dead lock
LDK, LD, HD, 1502/1503, AHD, AD, GK, GG, HN, ANT

Rim dead lock
MH, MD, MDU

Cremon bolt
CMM

Glass door lock
2510, HDT, CG, AG, BGU

Sliding door lock
SX, PSS, SAK, SN, TSD, AD(B/S600)

Cup handle lock
AHC, ASC, HSTC, UCC, GC

Emergency lock
AHLH, AHH, HSTH, HDH, AHDH

Electric lock & Security system

RF key
Remo. con. key
Ten key pad
KRS, KRC, BTKLX, TKS

Hotel card lock
JCLM, JCL

Electric lock
PXE, PZE, EZS, EXS, EXM, EU, ES, EL, EM, EV, SXE, CMT, CMR, ME

Electric conductor, Control box, Key switch, etc.
RCL, RCB, RSP, KS, ACT

Dimensions

Information

Pin cylinder, Keying system, Function No. To order, etc.

Locks

Push-pull handle lock
Handle designs
PXK, PX, PZK, PZ, PLK, PL, PVKU, PY, PYS

Lever handle lock
Handle designs
AHL, AHL, LGK, LG, LX, LH, HL, LY, LW

Mortise lock
Knob designs
AH, AHP, AS, HS

Integral lock
UC, G

Cylindrical lock
UH, US

Dead lock
LDK, LD, HD, 1502/1503, AHD, AD, GK, GG, HN, ANT

Rim dead lock
MH, MD, MDU

Cremon bolt
CMM

Glass door lock
2510, HDT, CG, AG, BGU

Sliding door lock
SX, PSS, SAK, SN, TSD, AD(B/S600)

Cup handle lock
AHC, ASC, HSTC, UCC, GC

Emergency lock
AHLH, AHH, HSTH, HDH, AHDH

Electric lock & Security system

RF key
Remo. con. key
Ten key pad
KRS, KRC, BTKLX, TKS

Hotel card lock
JCLM, JCL

Electric lock
PXE, PZE, EZS, EXS, EXM, EU, ES, EL, EM, EV, SXE, CMT, CMR, ME

Electric conductor, Control box, Key switch, etc.
RCL, RCB, RSP, KS, ACT

Dimensions

HSC Cup handle lock

HSC, UCC, GC series

Text P.43

Series	Cylinder [symbol]	Function No.	Backset	D.T (Door thickness)
HSC	6pin [P] (standard) 7pin [Z] V18 [V] GV [GV]	3, 5, 6, 7	76mm	33~43·43~53mm
UCC	(UCC, GC-7 only) 6pin [P] (standard)	1, 3, 7	57, 64, 83, 100mm	29~33·33~43·43~53mm
GC	7pin [Z]		64, 100mm	28~33·33~43·43~53mm

Dimensions (unit : mm)

● (Mortise lock) V-HSC-5Q (shown HSC-5 with V18 cyl.)

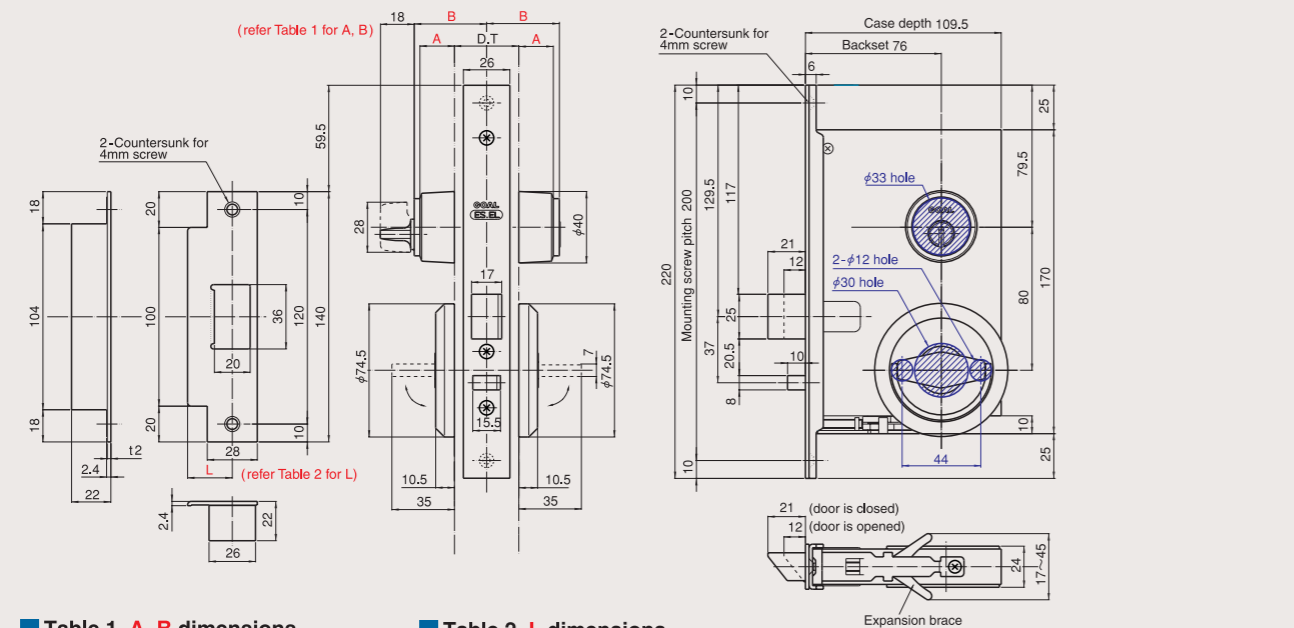


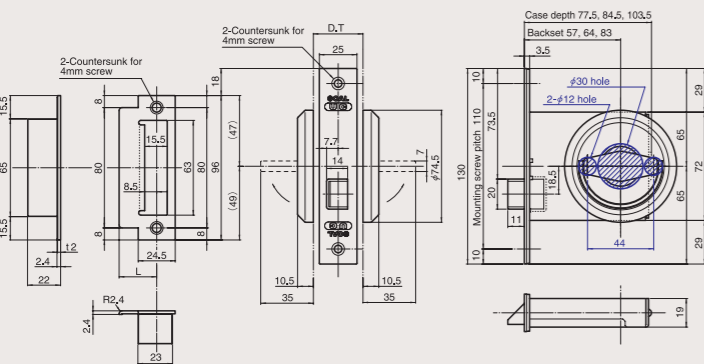
Table 1. A, B dimensions

D.T (mm)	A (mm)	B (mm)
29~43	19.5	38.5
43~53	14.5	38.5
53~63	19.5	48.5
63~73	14.5	48.5
73~83	19.5	58.5

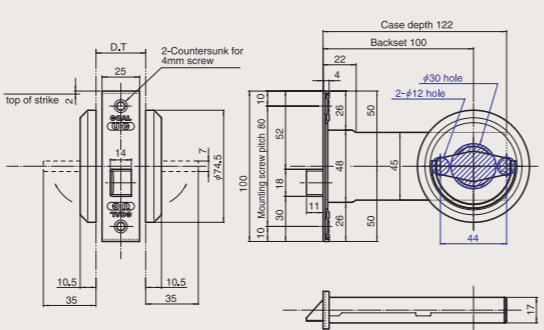
Table 2. L dimensions

Single leaf door			Double leaves door		
D.T (mm)	Strike	L (mm)	D.T (mm)	Strike	L (mm)
29~33	20 L	20	29~33	16 L (d)	16
33~43	25 L	25	33~37	18 L (d)	18
43~53	30 L	30	37~42	20 L (d)	20
53~60	33 L	33	43~47	23 L (d)	23
			47~51	25 L (d)	25
			53~57	28 L (d)	28
			57~61	30 L (d)	30

● (Integral lock) UCC-1 (B/s 57,64, 83mm)

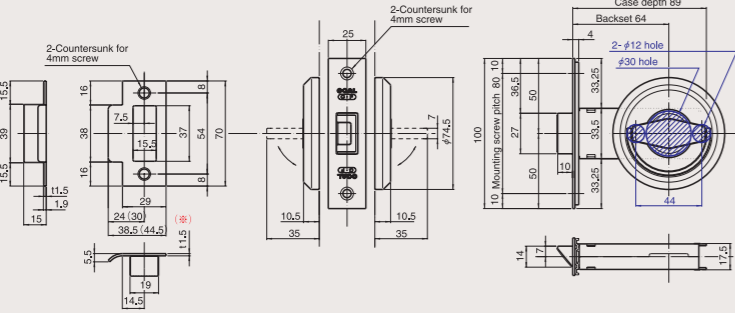


● UCC-1 (B/s 100mm)

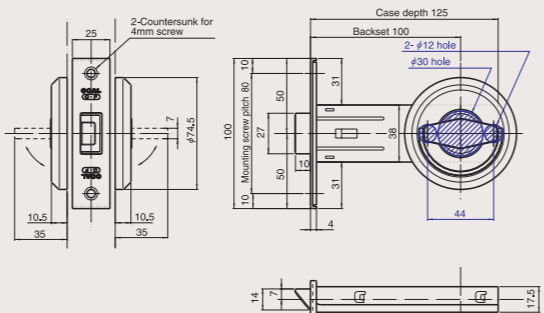


note : Strike is same as UCC-1 (B/s 64mm)

● (Integral lock) GC-1 (B/s 64mm)



● GC-1 (B/s 100mm)



note : Strike is same as GC-1 (B/s 64mm)

※ () dimensions are in case of D.T 43~53mm.

Information

Pin cylinder, Keying system, Function No. To order, etc.

Locks

Push-pull handle lock
Handle designs
PXK, PX, PZK, PZ, PLK, PL, PVKU, PY, PYS

Lever handle lock
Handle designs
AHL, AHL-P, LGK, LG, LX, LH, HL, LY, LW

Mortise lock
Knob designs
AH, AHP, AS, HS

Integral lock
UC, G

Cylindrical lock
UH, US

Dead lock
LDK, LD, HD, 1502/1503, AHD, AD, GK, GG, HN, ANT

Rim dead lock
MH, MD, MDU

Cremon bolt
CMM

Glass door lock
2510, HDT, CG, AG, BGU

Sliding door lock
SK, PSS, SAK, SN, TSD, AD(B/S600)

Cup handle lock
AHC, ASC, HSTC, UCC, GC

Emergency lock
AHLH, AHH, HSTH, HDH, AHDH

Electric lock & Security system

RF key
Remo. con. key
Ten key pad
KRS, KRC, BTKLX, TKS

Hotel card lock
JCLM, JCL

Electric lock
PXE, PZE, EZS, EXS, EXM, EU, ES, EL, EM, EV, SXE, CMT, CMR, ME

Electric conductor, Control box, Key switch, etc.
RCL, RCB, RSP, KS, ACT

Dimensions

LGH (A,B) Mortise lock with emergency

LDH (A,B) open device LGH(A, B), LDH(A, B)

Text P.44

Series	Cylinder [symbol]	Function No.	Backset	D.T (Door thickness)
LGH (A,B)	6pin [P] (standard) 7pin [Z] V18 [V] GV [GV]	5, 6, 7	51, 64, 76mm	33~43·43~53mm
LDH (A,B)			64, 76mm	

Information

Pin cylinder, Keying system, Function No. To order, etc.

Locks

Push-pull handle lock
Handle designs
PXK, PX, PZK, PZ, PLK, PL, PVKU, PY, PYS

Lever handle lock
Handle designs
AHL, AHL-P, LGK, LG, LX, LH, HL, LY, LW

Mortise lock
Knob designs
AH, AHP, AS, HS

Integral lock
UC, G

Cylindrical lock
UH, US

Dead lock
LDK, LD, HD, 1502/1503, AHD, AD, GK, GG, HN, ANT

Rim dead lock
MH, MD, MDU

Cremon bolt
CMM

Glass door lock
2510, HDT, CG, AG, BGU

Sliding door lock
SK, PSS, SAK, SN, TSD, AD(B/S600)

Cup handle lock
AHC, ASC, HSTC, UCC, GC

Emergency lock
AHLH, AHH, HSTH, HDH, AHDH

Electric lock & Security system

RF key
Remo. con. key
Ten key pad
KRS, KRC, BTKLX, TKS

Hotel card lock
JCLM, JCL

Electric lock
PXE, PZE, EZS, EXS, EXM, EU, ES, EL, EM, EV, SXE, CMT, CMR, ME

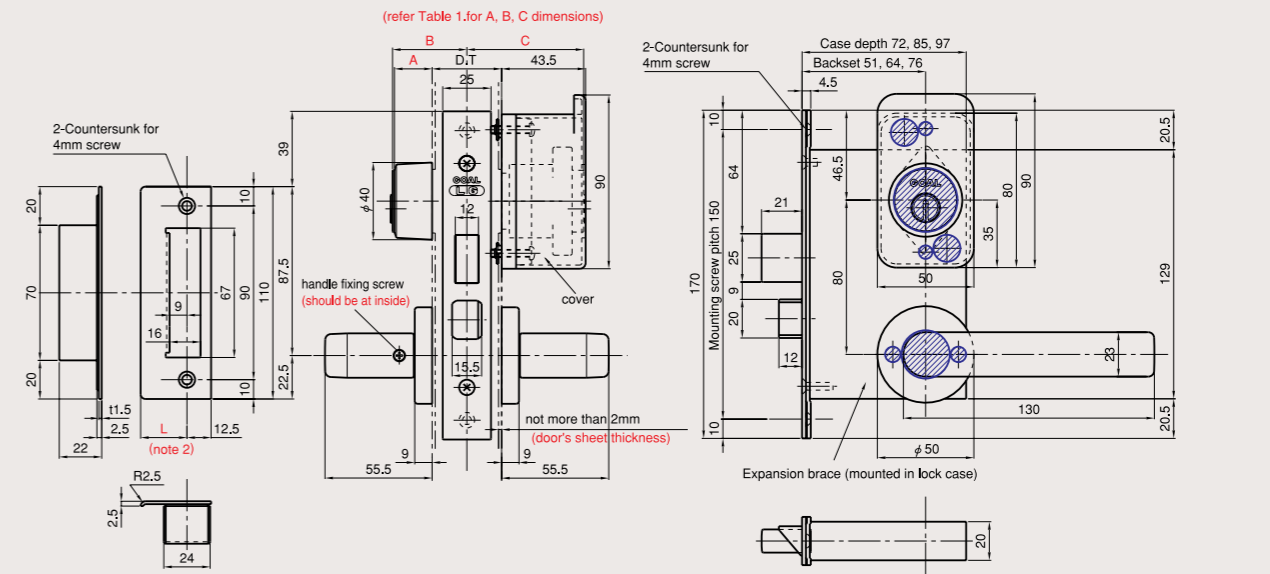
Electric conductor, Control box, Key switch, etc.
RCL, RCB, RSP, KS, ACT

Dimensions

Dimensions (unit : mm)

● Lever handle lock V-LGH(A,B)-6NU(R) (B/s 51,64,76mm)

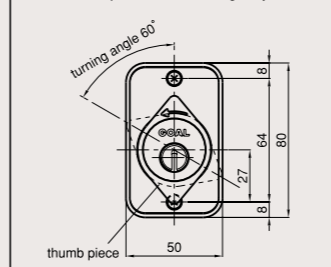
<shown lever handle lock LG-6 with emergency unlocking device, V18 cylinder, NU type lever, R hand.>



note 1. L=Thickness of the door's face plate should be not more than 2mm to install the emergency device.

note 2. L=18, 20, 22, 24, 26, 28, 30, 32, 34mm

<The thumb piece in the emergency device.>



<LGH (A, B) LDH (A, B) door preparations> (Emergency device side)

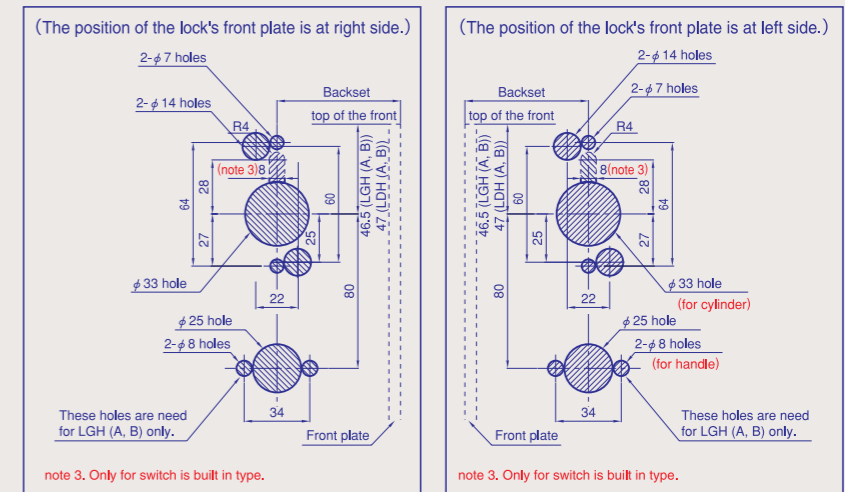
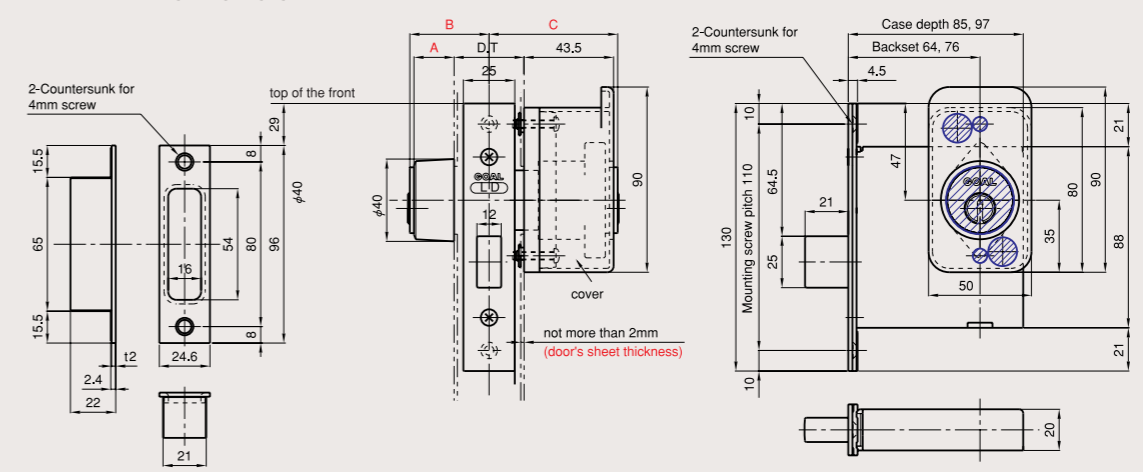


Table 1. A, B, C dimensions

D.T (mm)	A (mm)	B (mm)	C (mm)
33~43	19.5	38.5	62.5
43~53	14.5	38.5	67.5
53~63	19.5	48.5	72.5
63~73	14.5	48.5	77.5
73~83	19.5	58.5	82.5

● Dead lock V-LDH(A,B)-6(R) (B/s 64,76mm) <shown dead lock LD-6 with emergency device, V18 cylinder, R hand.>



note:LDA (A, B) preparation of the door is same as above LGH (A, B) door preparation except backset and handle.

AHLH AHH Mortise lock with emergency open device AHLH, AHH series

Text P.45

Series	Cylinder (symbol)	Function No.	Backset	D.T (Door thickness)
AHLH	6pin [P] (standard) 7pin [Z] V18 [V]	5, 6, 7	76mm	35~42.5·42.5~50mm
AHH	GV [GV]		100mm	35~50mm

Dimensions (unit : mm)

● (Lever handle type) V-AHLH-6NU (B/s 76, 100mm) <shown AHLH-6 with V18 cyl., NU type lever handle>

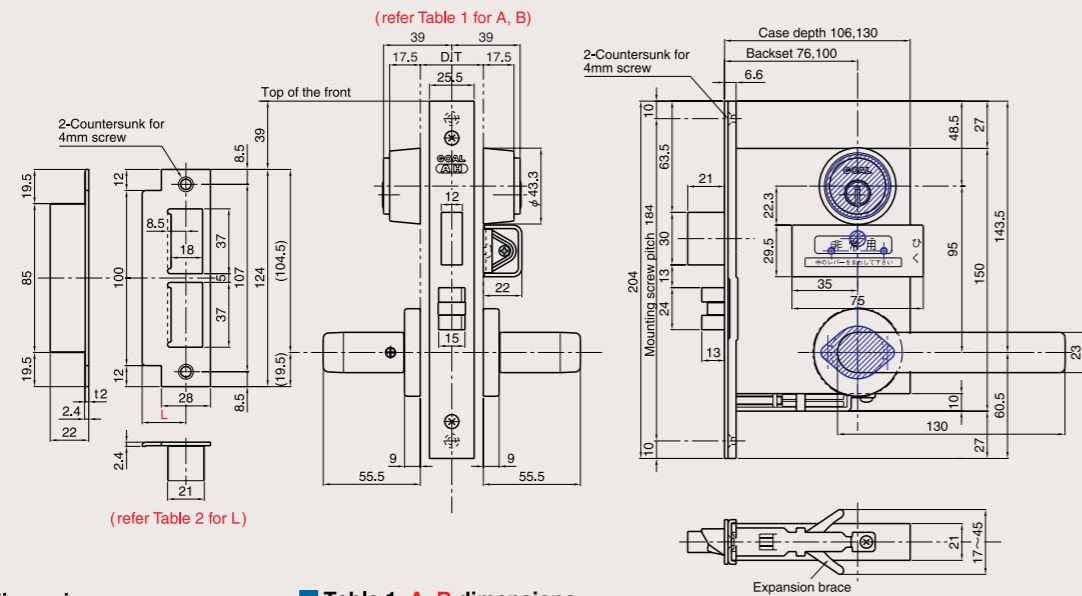


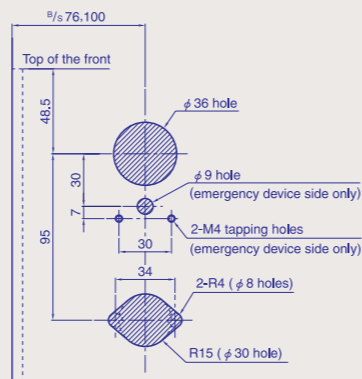
Table 2. L dimensions

Series	Single leaf door		
	D.T (mm)	Strike	L (mm)
AHLH	35~42.5	25 L	25
AHH	42.5~50	30 L	30
AHH	35~50	25 L	25

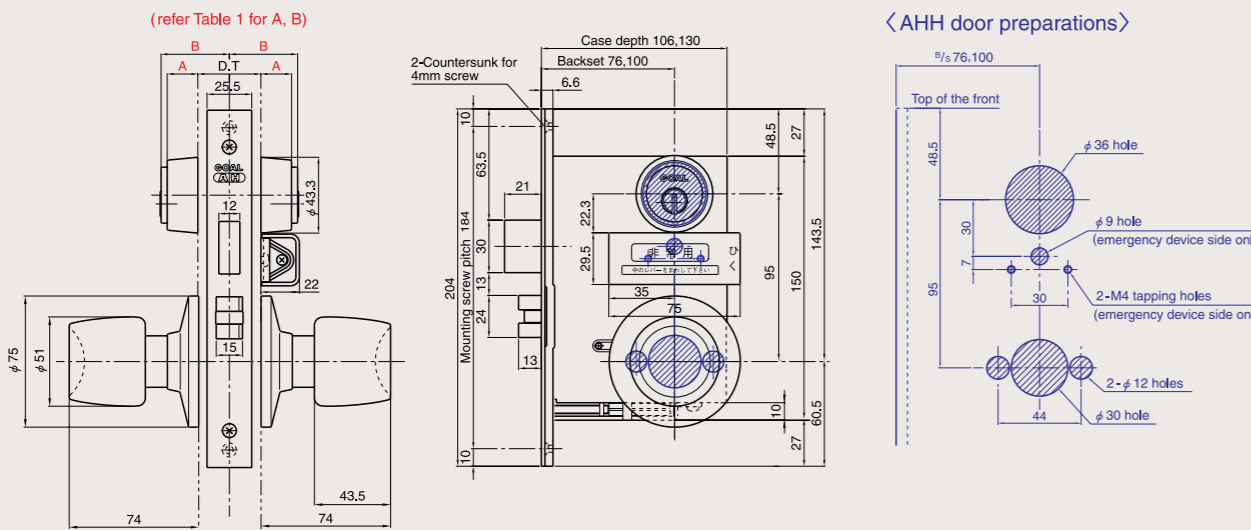
Table 1. A, B dimensions

D.T (mm)	A (mm)	B (mm)
35~50	17.5	39
50~63	17.5	46
63~73	22.5	56
73~83	17.5	56

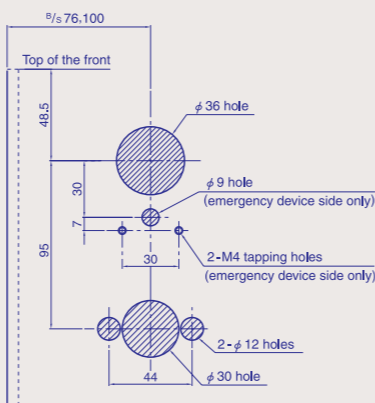
<AHLH door preparations>



● (Knob type) V-AHH-6Q (B/s 76, 100mm) <shown AHH-6 with V18 cyl., Q type knob>
(※ Strike is same as AHLH, above dimensions.)



<AHH door preparations>



HLTH HSTH Mortise lock with emergency open device HLTH, HSTH series

Text P.45

Series	Cylinder (symbol)	Function No.	Backset	D.T (Door thickness)
HLTH	6pin [P] (standard) 7pin [Z] V18 [V]	5, 6, 7	76mm	29~33·33~43·43~53mm
HSTH	GV [GV]			

Dimensions (unit : mm)

● (Lever handle type) V-HLTH-5NU (B/s 76mm) <shown HLTH-5 with V18 cyl., NU lever handle>

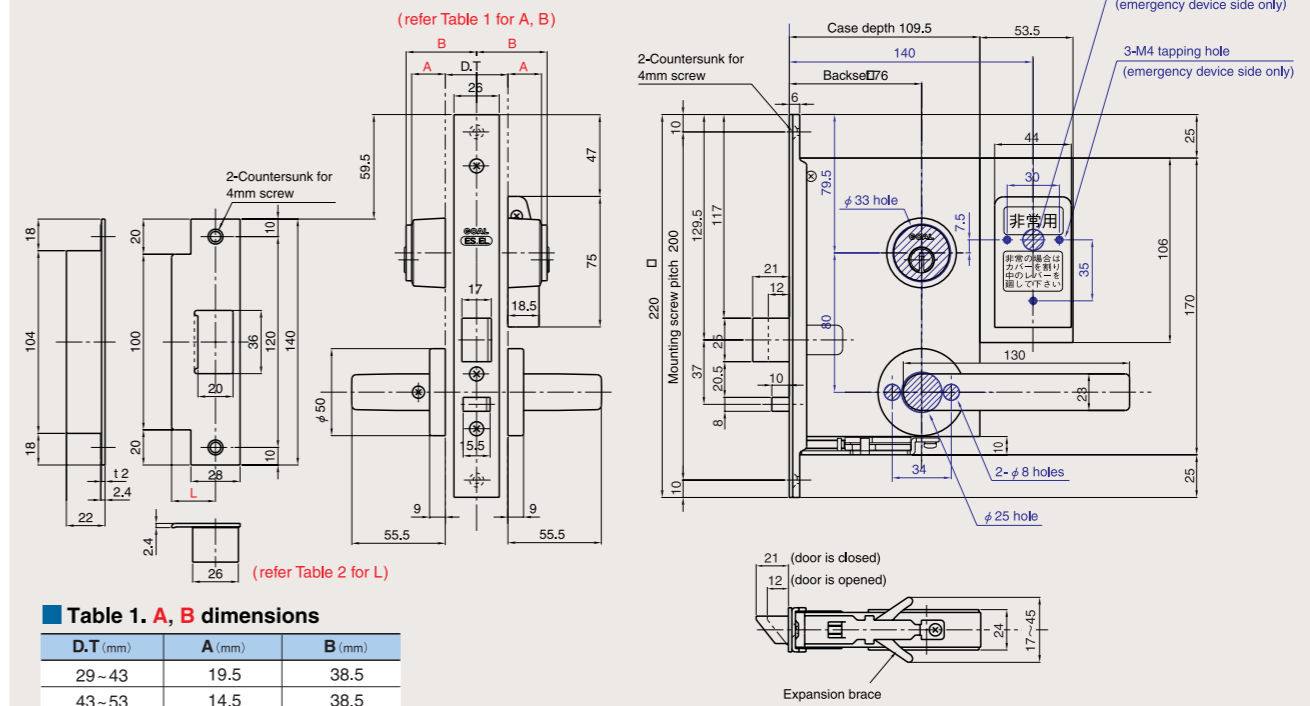


Table 1. A, B dimensions

D.T (mm)	A (mm)	B (mm)
29~43	19.5	38.5
43~53	14.5	38.5
53~63	19.5	48.5
63~73	14.5	48.5
73~83	19.5	58.5

● (Knob type) V-HSTH-5Q (B/s 76mm) <shown HSTH-5 with V18 cyl., Q type knob>
(※ Strike is same as HLTH, above dimensions.)

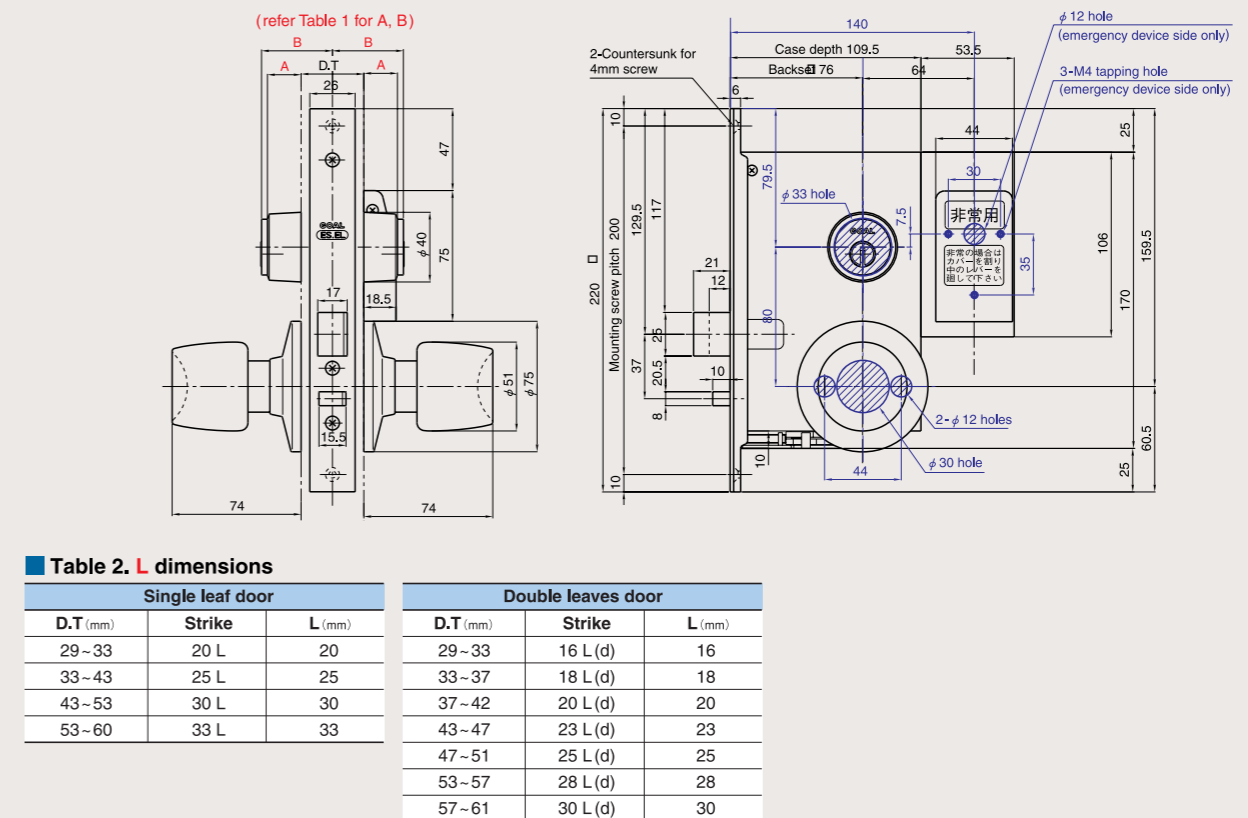


Table 2. L dimensions

Single leaf door			Double leaves door		
D.T (mm)	Strike	L (mm)	D.T (mm)	Strike	L (mm)
29~33	20 L	20	29~33	16 L (d)	16
33~43	25 L	25	33~37	18 L (d)	18
43~53	30 L	30	37~42	20 L (d)	20
53~60	33 L	33	43~47	23 L (d)	23
			47~51	25 L (d)	25
			53~57	28 L (d)	28
			57~61	30 L (d)	30

Information

Pin cylinder, Keying system, Function No., To order, etc.

Locks

Push-pull handle lock
Handle designs
PXK, PX, PZK, PZ, PLK, PL, PVKU, PY, PYS

Lever handle lock
Handle designs
AHL, AHL, LGK, LG, LX, LH, HL, LY, LW

Mortise lock
Knob designs
AH, AHP, AS, HS

Integral lock
UC, G

Cylindrical lock
UH, US

Dead lock
LDK, LD, HD, 1502/1503, AHD, AD, GK, GG, HN, ANT

Rim dead lock
MH, MD, MDU

Cremon bolt
CMM

Glass door lock
2510, HDT, CG, AG, BGU

Sliding door lock
SX, PSS, SAK, SN, TSD, AD(B/S600)

Cup handle lock
AHC, ASC, HSTC, UCC, GC

Emergency lock
AHLH, AHH, HSTH, HDH, AHDH

Electric lock & Security system

RF key
Remo. con. key
Ten key pad
KRS, KRC, BTKLX, TKS

Hotel card lock
JCLM, JCL

Electric lock
PXE, PZE, EZS, EXS, EXM, EU, ES, EL, EM, EV, SXE, CMT, CMR, ME

Electric conductor, Control box, Key switch, etc.
RCL, RCB, RSP, KS, ACT

Dimensions

Information

Pin cylinder, Keying system, Function No., To order, etc.

Locks

Push-pull handle lock
Handle designs
PXK, PX, PZK, PZ, PLK, PL, PVKU, PY, PYS

Lever handle lock
Handle designs
AHL, AHL, LGK, LG, LX, LH, HL, LY, LW

Mortise lock
Knob designs
AH, AHP, AS, HS

Integral lock
UC, G

Cylindrical lock
UH, US

Dead lock
LDK, LD, HD, 1502/1503, AHD, AD, GK, GG, HN, ANT

Rim dead lock
MH, MD, MDU

Cremon bolt
CMM

Glass door lock
2510, HDT, CG, AG, BGU

Sliding door lock
SX, PSS, SAK, SN, TSD, AD(B/S600)

Cup handle lock
AHC, ASC, HSTC, UCC, GC

Emergency lock
AHLH, AHH, HSTH, HDH, AHDH

Electric lock & Security system

RF key
Remo. con. key
Ten key pad
KRS, KRC, BTKLX, TKS

Hotel card lock
JCLM, JCL

Electric lock
PXE, PZE, EZS, EXS, EXM, EU, ES, EL, EM, EV, SXE, CMT, CMR, ME

Electric conductor, Control box, Key switch, etc.
RCL, RCB, RSP, KS, ACT

Dimensions

HDH AHDH Mortise dead lock with emergency open device HDH, AHDH series

Text P.45

Series	Cylinder (symbol)	Function No.	Backset	D.T (Door thickness)
HDH	6pin [P] (standard) 7pin [Z] V18 [V]	5, 6, 7	38, 51, 64, 76mm	29~43·43~53mm
AHDH	GV [GV]		76, 100mm	35~50mm

Dimensions (unit : mm)

● V-HDH-6 (shown HDH-6 with V18 cyl.)

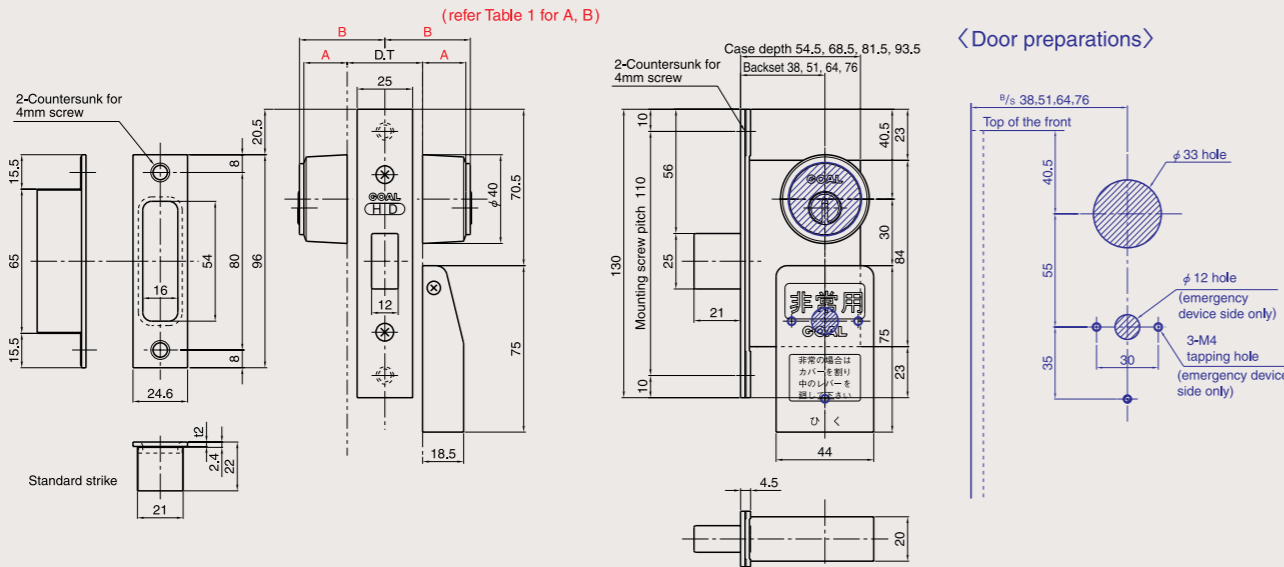


Table 1. A, B dimensions

D.T (mm)	A (mm)	B (mm)
29~43	19.5	38.5
43~53	14.5	38.5
53~63	19.5	48.5
63~73	14.5	48.5

● V-AHDH-6 (B/s 76, 100mm) (shown AHDH-6 with V18 cyl.)

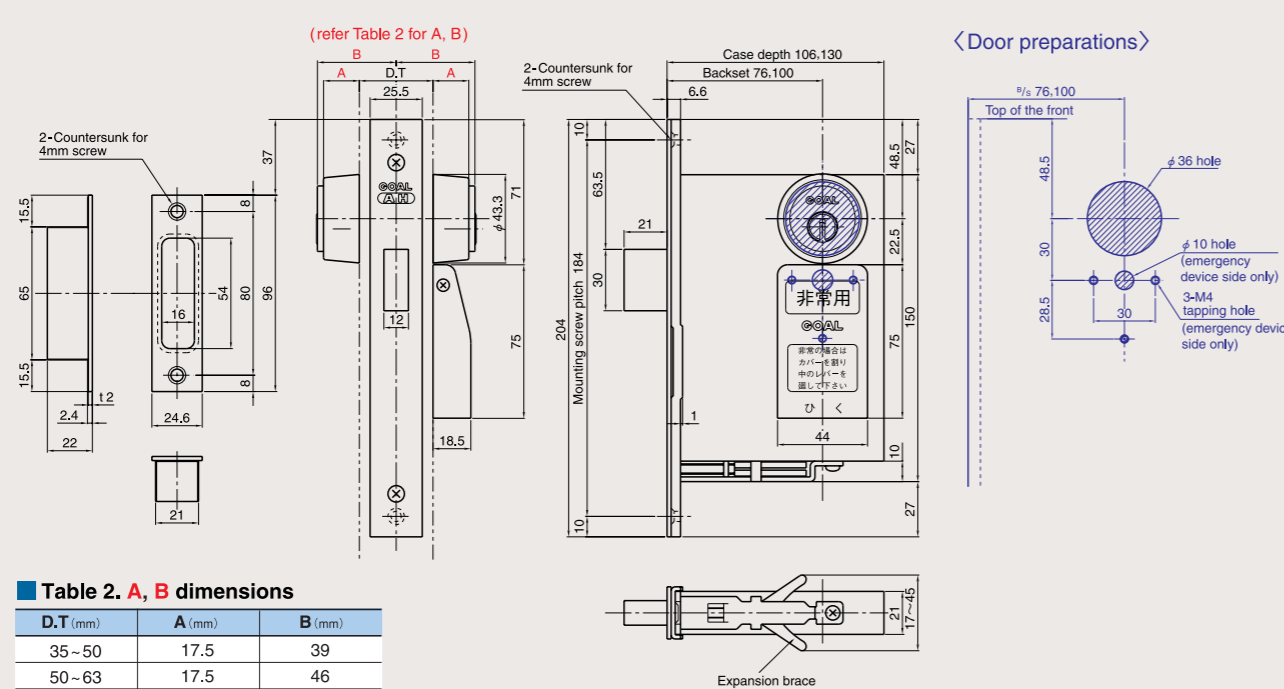


Table 2. A, B dimensions

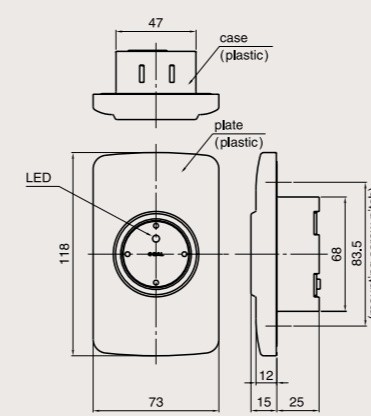
D.T (mm)	A (mm)	B (mm)
35~50	17.5	39
50~63	17.5	46
63~73	22.5	56
73~83	17.5	56

KRS Non-touch key (RF key) reader system KRS-200, 600, 420, 410, 320, 310,

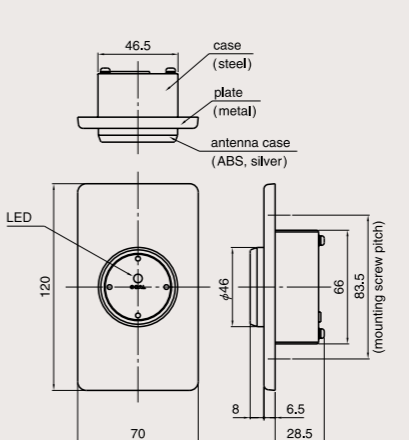
Text P.48

Dimensions (unit : mm)

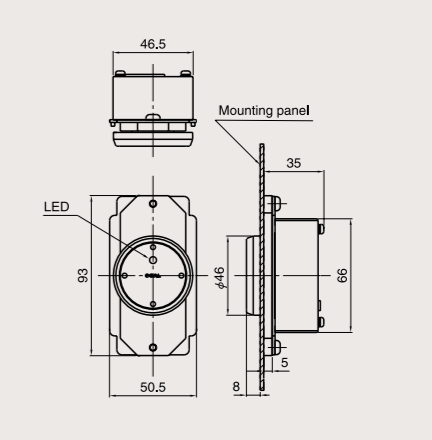
● KRS-H No.1 key reader head (water-proof type)



● KRS-H No.2 key reader head

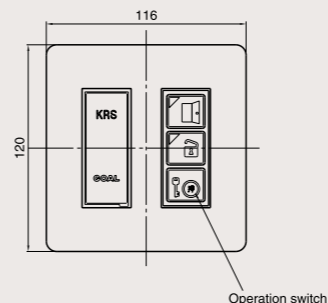


● KRS-H No.3 key reader head

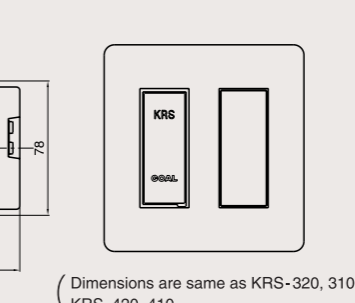


Mounting hole φ25~40 hole (φ35...standard)

● Controller KRS-320·310

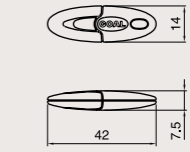


● Controller KRS-420·410

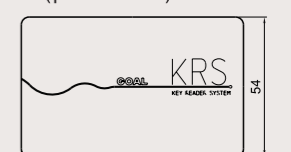


(Dimensions are same as KRS-320, 310 as KRS-420, 410.)

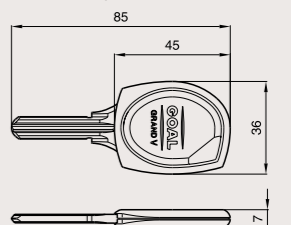
● RF key-tag



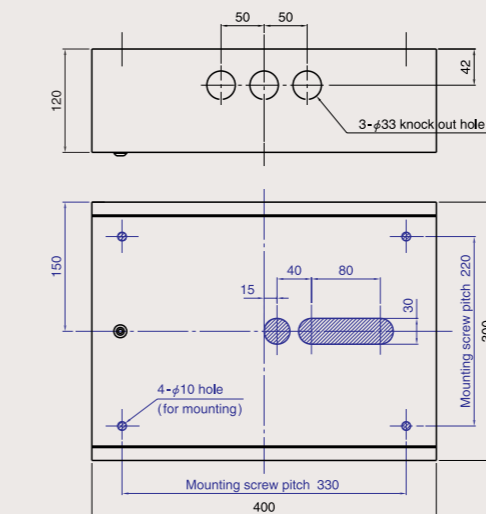
● RF card (plastic t1.3)



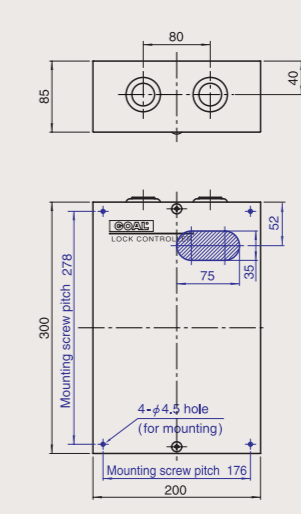
● GV-RF key (GV cylinder)



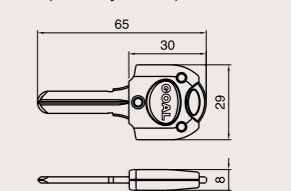
● Controller KRS-200



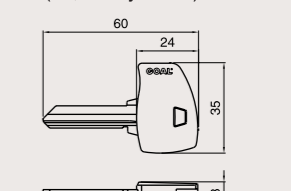
● Controller KRS-600



● V-RF key (V18 cylinder)



● P, Z-RF key (6P, 7P cylinder)



Information

Pin cylinder, Keying system, Function No. To order, etc.

Locks

Push-pull handle lock
Handle designs
PXK, PX, PZK, PZ,
PLK, PL, PVKU,
PY, PYS

Lever handle lock
Handle designs
AHL, AHL-P,
LGL, LG, LX,
LH, HL, LY, LW

Mortise lock
Knob designs
AH, AHP,
AS, HS

Integral lock
UC, G

Cylindrical lock
UH, US

Dead lock
LDK, LD, HD,
1502/1503, AHD,
AD, GK, GG,
HN, ANT

Rim dead lock
MH, MD, MDU

Cremon bolt
CMM

Glass door lock
2510, HDT,
CG, AG, BGU

Sliding door lock
SX, PSS, SAK,
SN, TSD,
AD(B/S600)

Cup handle lock
AHC, ASC,
HSTC, UCC, GC

Emergency lock
AHLH, AHH,
HSTH, HDH,
AHDH

Electric lock & Security system

RF key
Remo. con. key
Ten key pad
KRS, KRC,
BTKLX, TKS

Hotel card lock
JCLM, JCL

Electric lock
PXE, PZE,
EZX, EXS, EXM,
EU, ES, EL,
EM, EV, SXE,
CMT, CMR, ME

Electric conductor,
Control box,
Key switch, etc.
RCL, RCB,
RSP, KS, ACT

Dimensions

Information

Pin cylinder, Keying system, Function No. To order, etc.

Locks

Push-pull handle lock
Handle designs
PXK, PX, PZK, PZ,
PLK, PL, PVKU,
PY, PYS

Lever handle lock
Handle designs
AHL, AHL-P,
LGL, LG, LX,
LH, HL, LY, LW

Mortise lock
Knob designs
AH, AHP,
AS, HS

Integral lock
UC, G

Cylindrical lock
UH, US

Dead lock
LDK, LD, HD,
1502/1503, AHD,
AD, GK, GG,
HN, ANT

Rim dead lock
MH, MD, MDU

Cremon bolt
CMM

Glass door lock
2510, HDT,
CG, AG, BGU

Sliding door lock
SX, PSS, SAK,
SN, TSD,
AD(B/S600)

Cup handle lock
AHC, ASC,
HSTC, UCC, GC

Emergency lock
AHLH, AHH,
HSTH, HDH,
AHDH

Electric lock & Security system

RF key
Remo. con. key
Ten key pad
KRS, KRC,
BTKLX, TKS

Hotel card lock
JCLM, JCL

Electric lock
PXE, PZE,
EZX, EXS, EXM,
EU, ES, EL,
EM, EV, SXE,
CMT, CMR, ME

Electric conductor,
Control box,
Key switch, etc.
RCL, RCB,
RSP, KS, ACT

Dimensions

KRC TK5 Electric wave key system KRC-200, 400, 410 Ten keypad system TKS-100

Text P.48, 49

Information

Pin cylinder, Keyping system, Function No., To order, etc.

Locks

Push-pull handle lock
Handle designs
PKX, PX, PZK, PZ, PLK, PL, PVKU, PY, PYS

Lever handle lock
Handle designs
AHL, AHL, LGK, LG, LX, LH, HL, LY, LW

Mortise lock
Knob designs
AH, AHP, AS, HS

Integral lock
UC, G

Cylindrical lock
UH, US

Dead lock
LDK, LD, HD, 1502/1503, AHD, AD, GK, GG, HN, ANT

Rim dead lock
MH, MD, MDU

Cremon bolt
CMM

Glass door lock
2510, HDT, CG, AG, BGU

Sliding door lock
SX, PSS, SAK, SN, TSD, AD(B/S600)

Cup handle lock
AHC, ASC, HSTC, UCC, GC

Emergency lock
AHLH, AHH, HSTH, HDH, AHDH

Electric lock & Security system

RF key
Remo. con. key
Ten key pad
KRS, KRC, BTKLX, TK5

Hotel card lock
JCLM, JCL

Electric lock
PXE, PZE, EZS, EXS, EXM, EU, ES, EL, EM, EV, SXE, CMT, CMR, ME

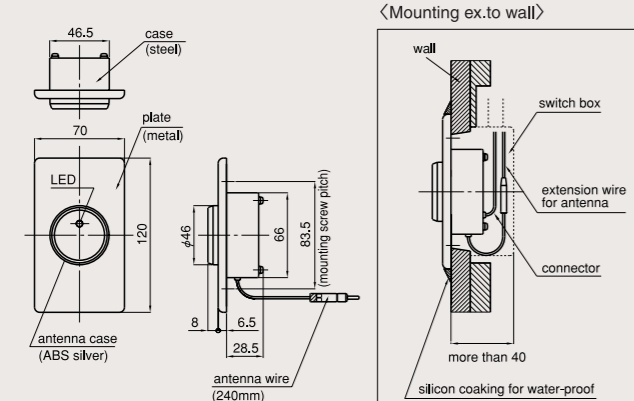
Electric conductor, Control box, Key switch, etc.
RCL, RCB, RSP, KS, ACT

Dimensions

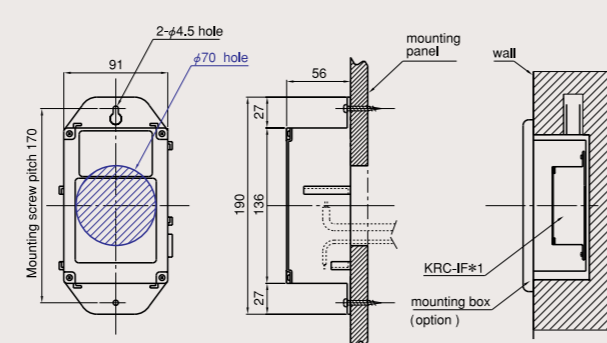
Dimensions (unit : mm)

● KRC-200, 400, 410

● Receiver KRC-H*2 head

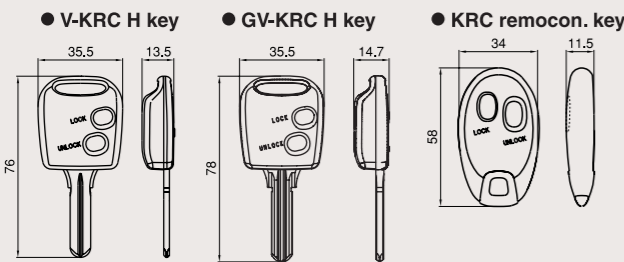


● Translater KRC-IF*1(no antenna), IF*2(with antenna)



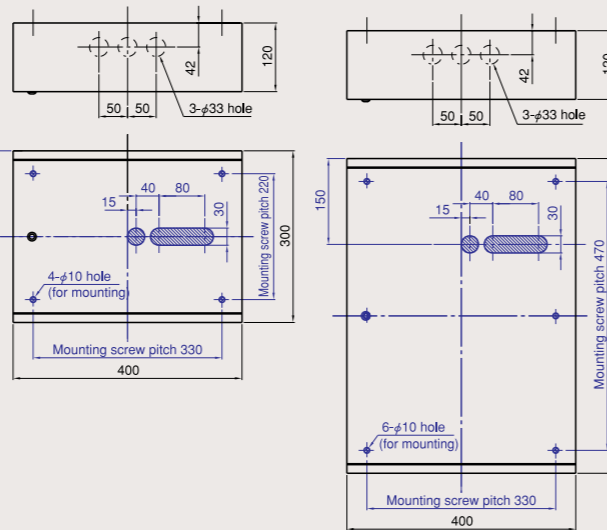
● Remote control key

<Key and case are one body type> <Key-tag type>



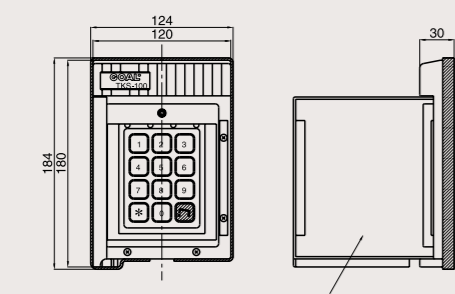
● Controller KRC-200

(max.3 circuits type) (max.6 circuits type)

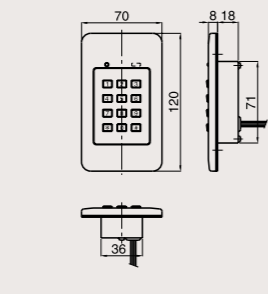


● Ten keypad system TKS-100

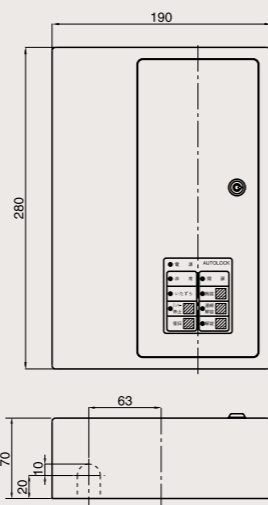
● Keypad TKS-100 (Water-proof type for outdoor)



● Keypad TKS-100A (for indoor)



● Control box



BTKLX BZSTK Battery powered keypad NEW BTKLX (Used powered thumbturn) BZSTK (Used electric lock)

Text P.49

Series	Cylinder [symbol]	Function No.	Backset	D.T (Door thickness)
BTKLX	6pin [P] (standard) 7pin [Z] V18 [V]	5	64mm	35~43·43~53mm
BZSTK	GV [GV]			29~43·43~53mm

Information

Pin cylinder, Keyping system, Function No., To order, etc.

Locks

Push-pull handle lock
Handle designs
PKX, PX, PZK, PZ, PLK, PL, PVKU, PY, PYS

Lever handle lock
Handle designs
AHL, AHL, LGK, LG, LX, LH, HL, LY, LW

Mortise lock
Knob designs
AH, AHP, AS, HS

Integral lock
UC, G

Cylindrical lock
UH, US

Dead lock
LDK, LD, HD, 1502/1503, AHD, AD, GK, GG, HN, ANT

Rim dead lock
MH, MD, MDU

Cremon bolt
CMM

Glass door lock
2510, HDT, CG, AG, BGU

Sliding door lock
SX, PSS, SAK, SN, TSD, AD(B/S600)

Cup handle lock
AHC, ASC, HSTC, UCC, GC

Emergency lock
AHLH, AHH, HSTH, HDH, AHDH

Electric lock & Security system

RF key
Remo. con. key
Ten key pad
KRS, KRC, BTKLX, TK5

Hotel card lock
JCLM, JCL

Electric lock
PXE, PZE, EZS, EXS, EXM, EU, ES, EL, EM, EV, SXE, CMT, CMR, ME

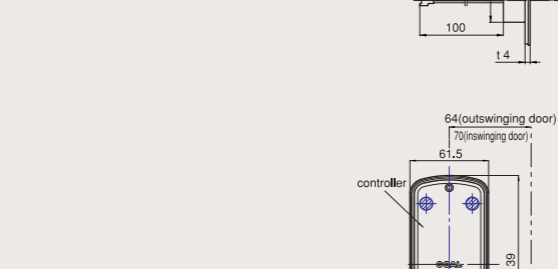
Electric conductor, Control box, Key switch, etc.
RCL, RCB, RSP, KS, ACT

Dimensions

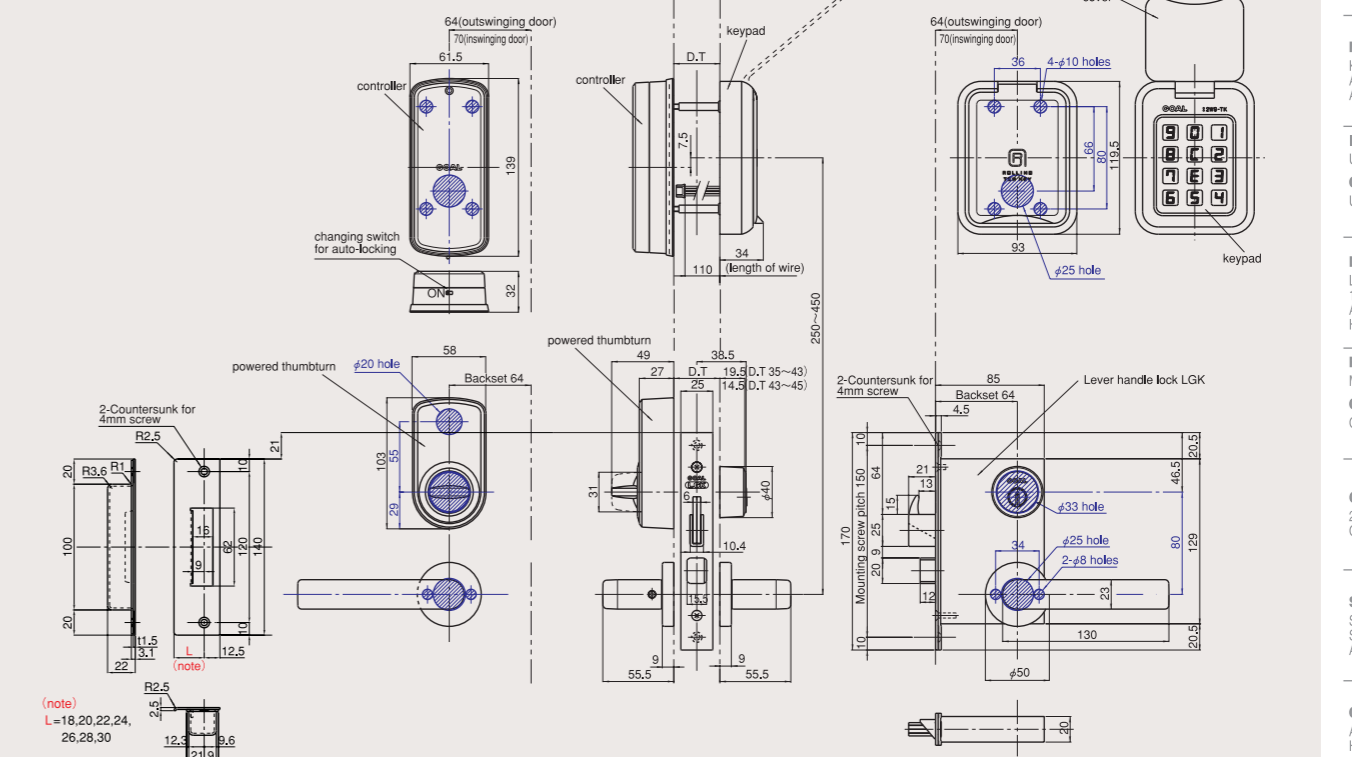
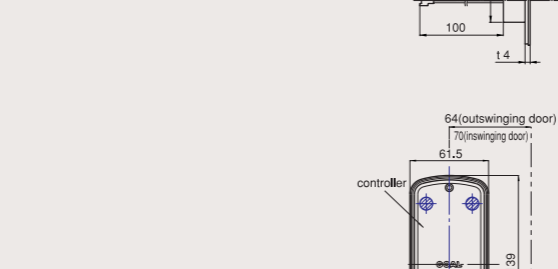
Dimensions (unit : mm)

● BTKLX (※ Used powered thumbturn on lever handle lock LGK, LG or dead lock LDK, LD, HD.)
<shown lever handle lock LGK-5 with V18 cyl.>

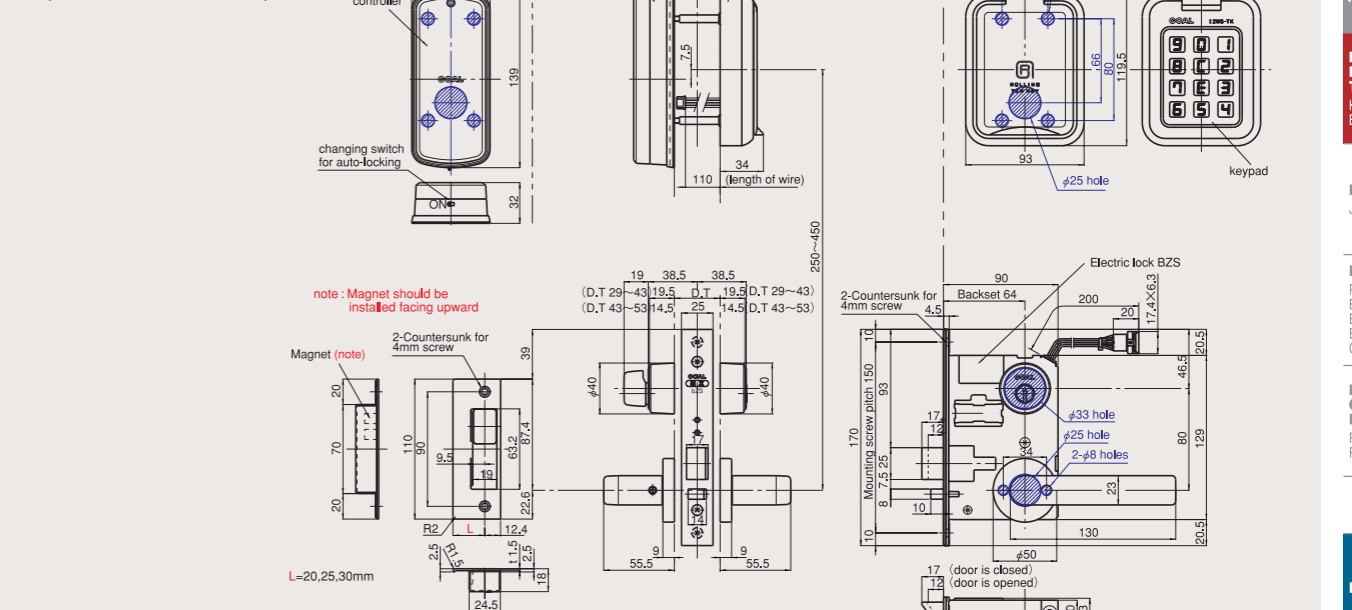
● Door switch DRS (mounted on door)



● Magnet for door switch (mounted on jamb)



● BZSTK (※ Used with electric lock BZS)



JCLM Non-touch IC card lock

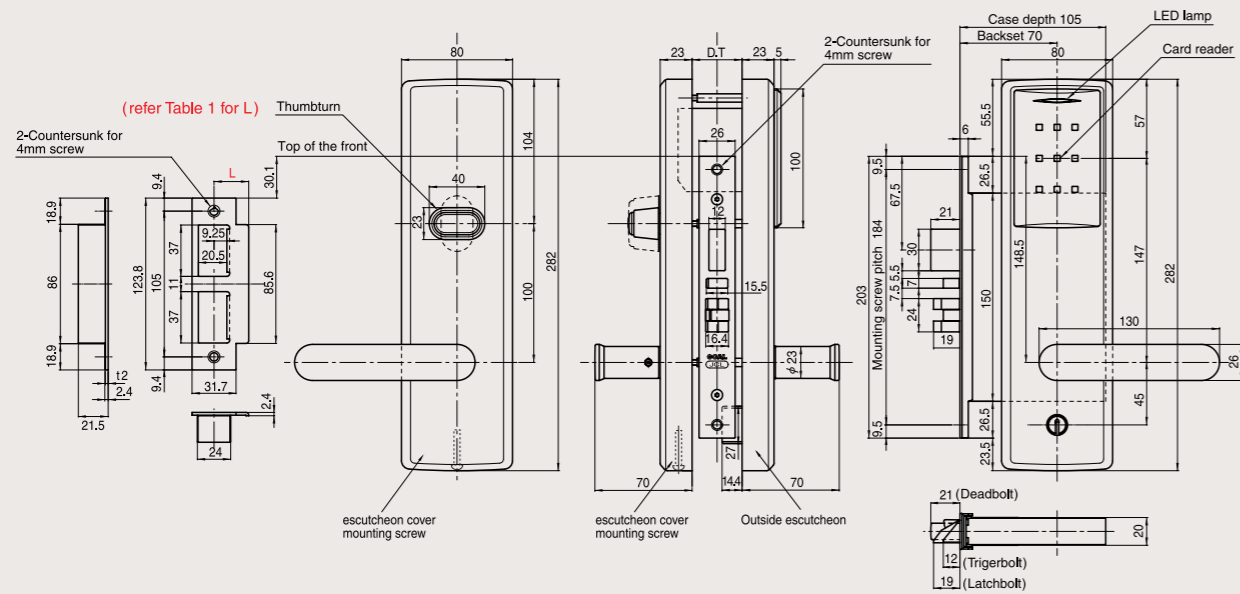
JCLM series NEW

Text P.51, 54

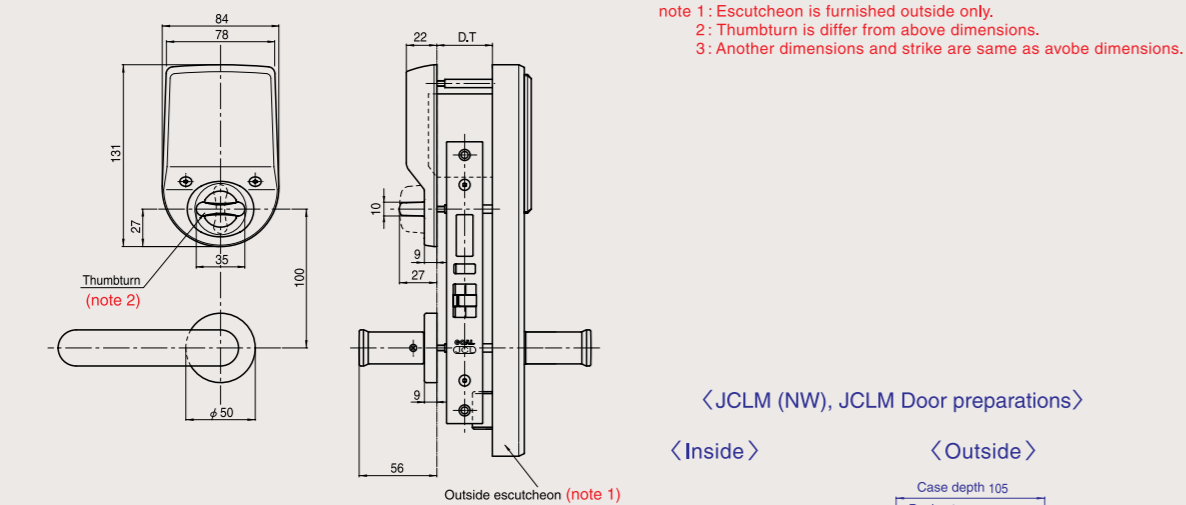
Series	Escutc.	Cylinder [symbol]	Hand	Backset	D.T (Door thickness)
JCLM (NW)	both side	6pin [P] (standard) 7pin [Z] V18 [V] GV [GV]	R type L type	70mm	33~43·43~53mm
JCLM	outside only				

Dimensions (unit : mm)

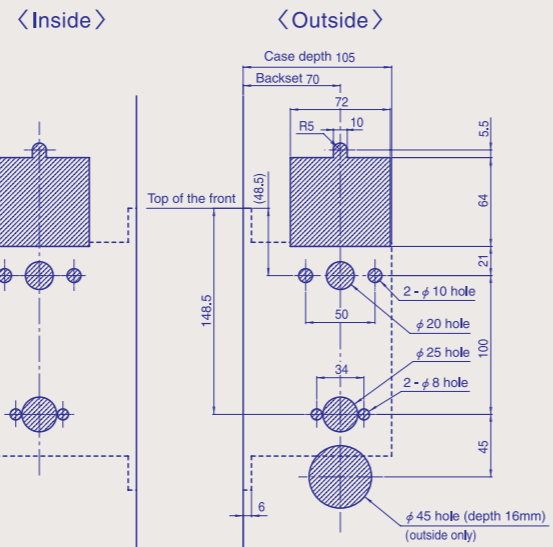
● V-JCLM-5ZU (R)(70) NW <shown JCLM-5 with V18 cyl., ZU type handle, R hand, ^B/s70, both side Escutc.>



● V-JCLM-5ZU (R)(70) <shown JCLM-5 with V18 cyl., ZU type handle, R hand, ^B/s70, single side Escutc.>



<JCLM (NW), JCLM Door preparations>



note : Can be prepared $\phi 45$ through hole in case JCLM (NW). (both side Escutc.)

Table 1. L dimensions

Single leaf door		
D.T (mm)	Strike	L (mm)
33~38	23 L	23
38~43	25 L	25
43~48	28 L	28
48~53	30 L	30
Double leaves door		
D.T (mm)	Strike	L (mm)
33~37	18 L (d)	18
37~42	20 L (d)	20
42~47	23 L (d)	23
47~51	25 L (d)	25

JCL Magnetic card lock

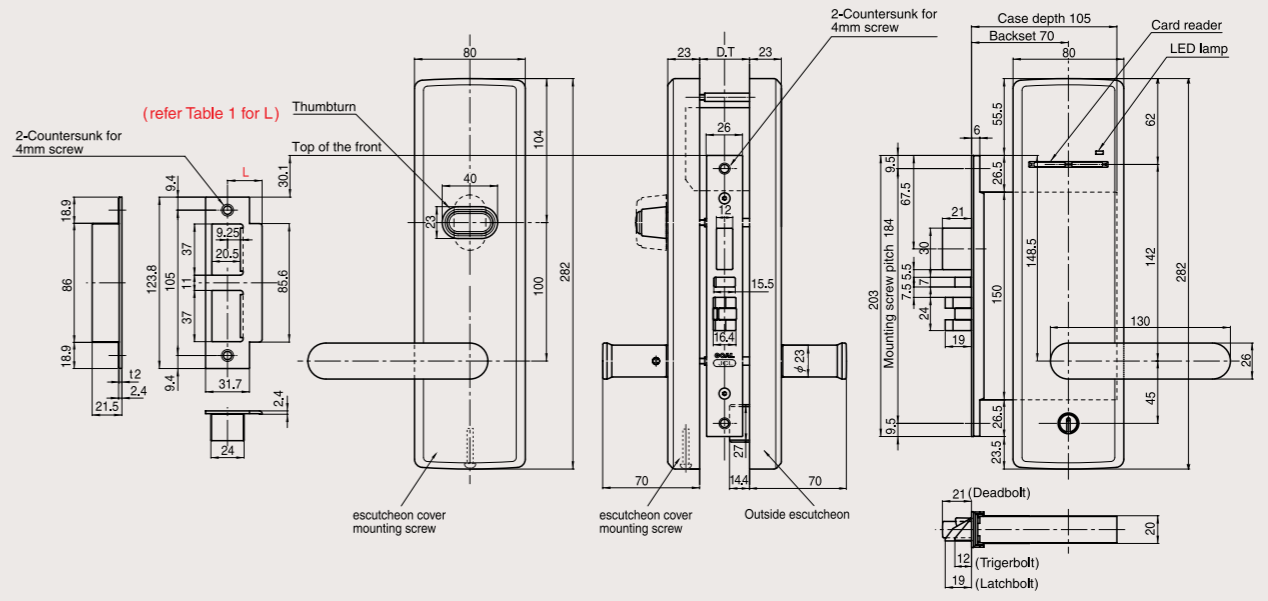
JCL series

Text P.52, 55

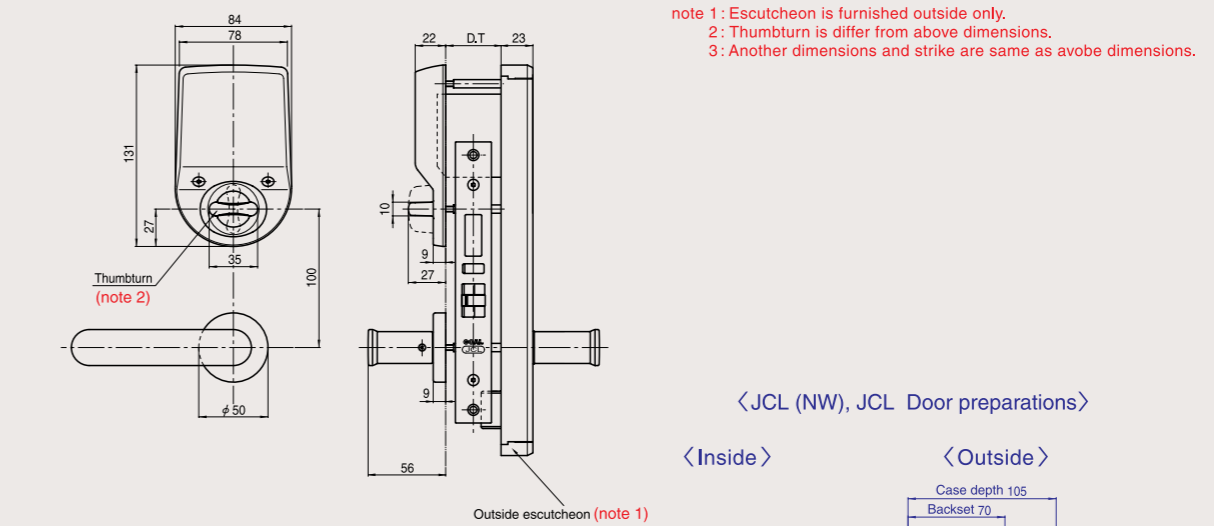
Series	Escutc.	Cylinder [symbol]	Hand	Backset	D.T (Door thickness)
JCL (NW)	both side	6pin [P] (standard) 7pin [Z] V18 [V] GV [GV]	R type L type	70mm	33~43·43~53mm
JCL	outside only				

Dimensions (unit : mm)

● V-JCL-5ZU (R)(70) NW <shown JCL-5 with V18 cyl., ZU type handle, R hand, ^B/s70, both side Escutc.>



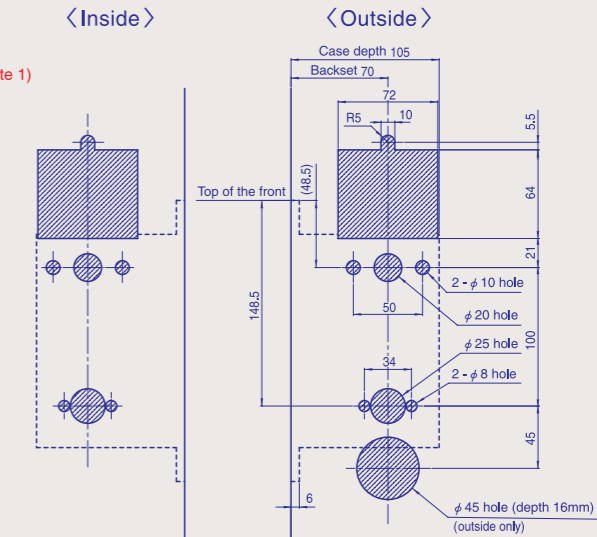
● V-JCL-5ZU (R)(70) <shown JCL-5 with V18 cyl., ZU type handle, R hand, ^B/s70, single side Escutc.>



<JCL (NW), JCL Door preparations>

Table 1. L dimensions

Single leaf door		
D.T (mm)	Strike	L (mm)
33~38	23 L	23
38~43	25 L	25
43~48	28 L	28
48~53	30 L	30
Double leaves door		
D.T (mm)	Strike	L (mm)
33~37	18 L (d)	18
37~42	20 L (d)	20
42~47	23 L (d)	23
47~51	25 L (d)	25



note : Can be prepared $\phi 45$ through hole in case JCL (NW). (both side Escutc.)

Information

Pin cylinder, Keying system, Function No., To order, etc.

Locks

Push-pull handle lock
Handle designs
PXK, PX, PZK, PZ, PLK, PL, PVKU, PY, PYS

Lever handle lock

Handle designs
AHL, AHL, LGK, LG, LX, LH, HL, LY, LW

Mortise lock

Knob designs
AH, AHP, AS, HS

Integral lock

UC, G

Cylindrical lock

UH, US

Dead lock

LDK, LD, HD, 1502/1503, AHD, AD, GK, GG, HN, ANT

Rim dead lock

MH, MD, MDU

Cremon bolt

CMM

Glass door lock

2510, HDT, CG, AG, BGU

Sliding door lock

SX, PSS, SAK, SN, TSD, AD(B/S600)

Cup handle lock

AHC, ASC, HSTC, UCC, GC

Emergency lock

AHLH, AHH, HSTH, HDH, AHDH

Electric lock & Security system

RF key

Remo. con. key
Ten key pad
KRS, KRC, BTKLX, TKS

Hotel card lock

JCLM, JCL

Electric lock

PXE, PZE, EZS, EXS, EXM, EU, ES, EL, EM, EV, SXE, CMT, CMR, ME

Electric conductor, Control box, Key switch, etc.

RCL, RCB, RSP, KS, ACT

Dimensions

Information

Pin cylinder, Keying system, Function No., To order, etc.

Locks

Push-pull handle lock
Handle designs
PXK, PX, PZK, PZ, PLK, PL, PVKU, PY, PYS

Lever handle lock

Handle designs
AHL, AHL, LGK, LG, LX, LH, HL, LY, LW

Mortise lock

Knob designs
AH, AHP, AS, HS

Integral lock

UC, G

Cylindrical lock

UH, US

Dead lock

LDK, LD, HD, 1502/1503, AHD, AD, GK, GG, HN, ANT

Rim dead lock

MH, MD, MDU

Cremon bolt

CMM

Glass door lock

2510, HDT, CG, AG, BGU

Sliding door lock

SX, PSS, SAK, SN, TSD, AD(B/S600)

Cup handle lock

AHC, ASC, HSTC, UCC, GC

Emergency lock

AHLH, AHH, HSTH, HDH, AHDH

Electric lock & Security system

RF key

Remo. con. key
Ten key pad
KRS, KRC, BTKLX, TKS

Hotel card lock

JCLM, JCL

Electric lock

PXE, PZE, EZS, EXS, EXM, EU, ES, EL, EM, EV, SXE, CMT, CMR, ME

Electric conductor, Control box, Key switch, etc.

RCL, RCB, RSP, KS, ACT

Dimensions

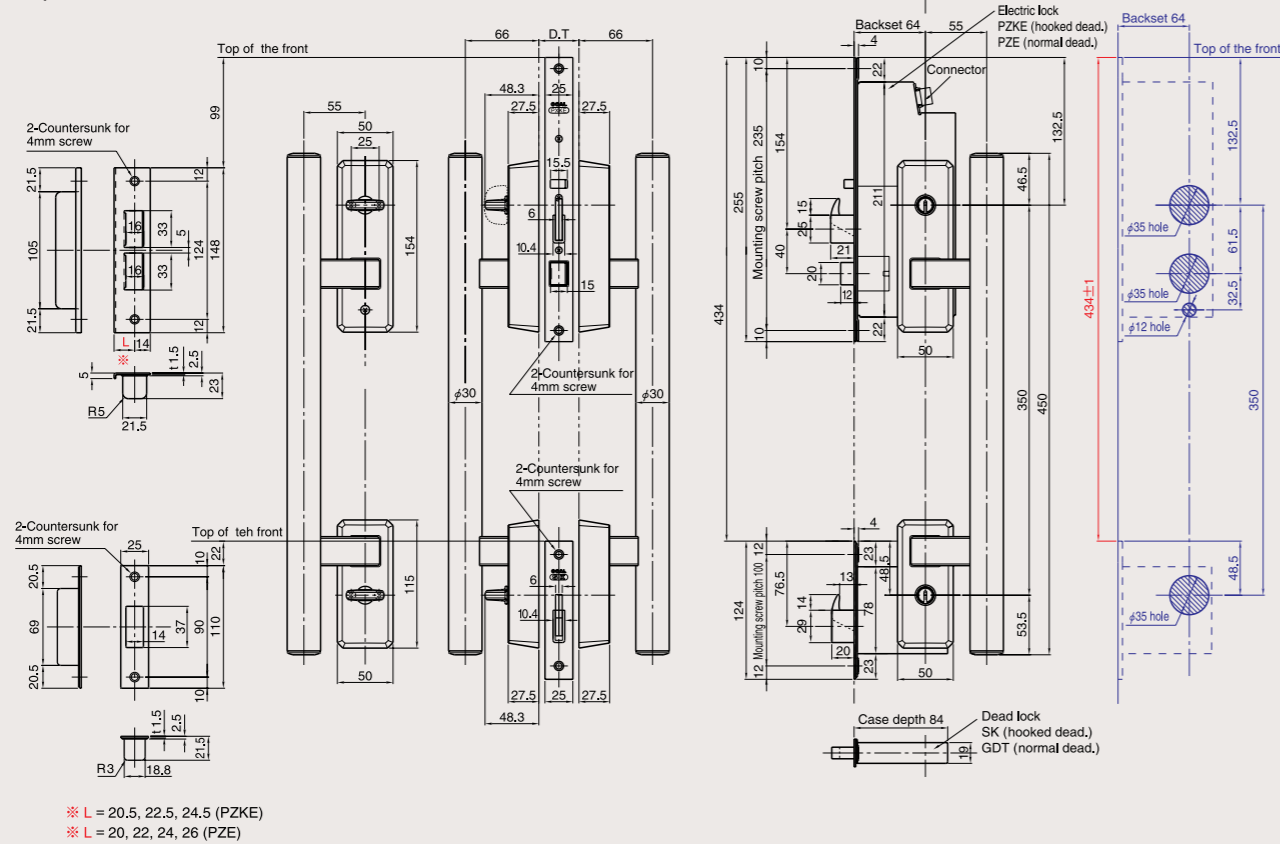
PZKE Electric lock PZKE (hooked deadbolt), PZE (normal deadbolt)

Text P.56

Series	Cylinder (symbol)	Function No.	Hand	Backset	D.T (Door thickness)
PZKE, PXE	6pin [P] (standard) 7pin [Z]	5	R type	64mm	31~33~34~36~37~39~40~42mm
PZKE EV	V18 [V] GV [GV]				36~37~38~40~41~43mm

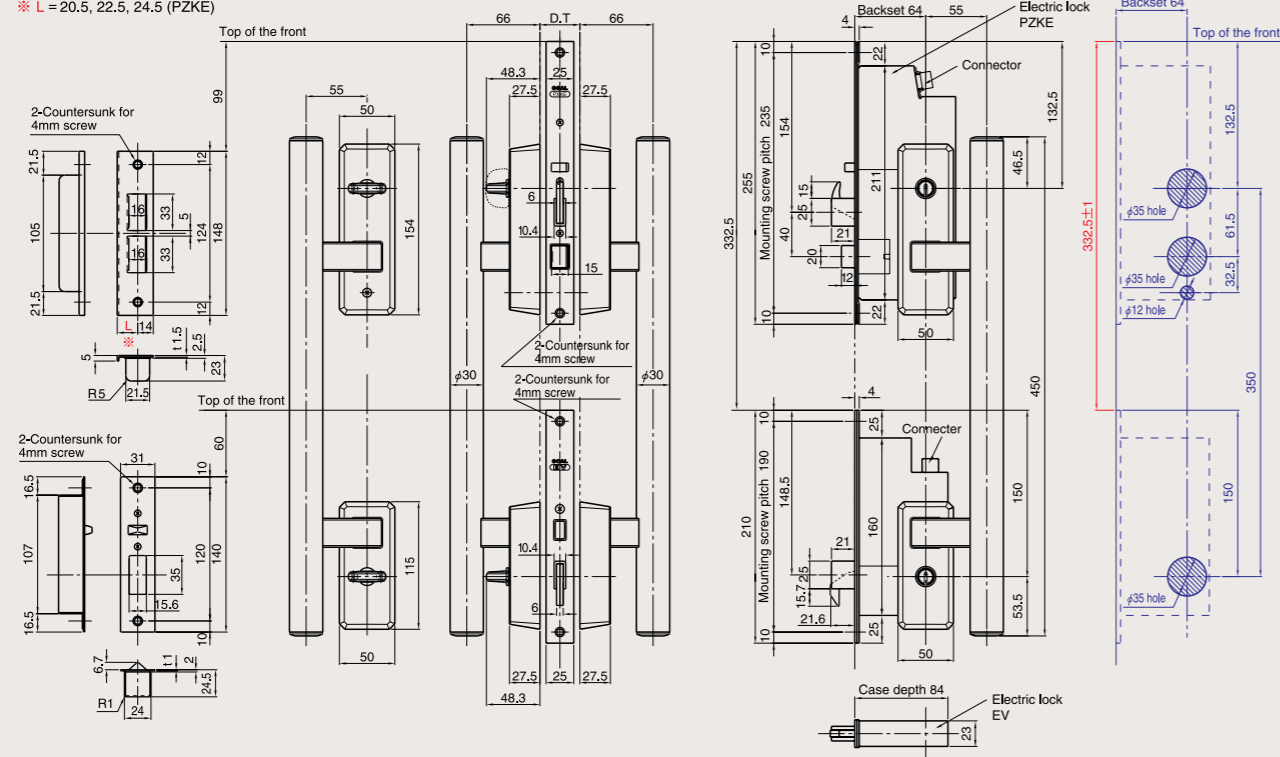
Dimensions (unit : mm)

● Single electric lock V-PZKE SK-5 GOF (R) (hooked deadbolt) (●V-PZE GDT-5 GOF (R) (normal deadbolt))



● Double electric lock V-PZKE EV-5 GOF (R)

* L = 20.5, 22.5, 24.5 (PZKE)



EZS EXS Electric lock EZS, EXS series

Text P.57

Series	Cylinder (symbol)	Function No.	Backset	D.T (Door thickness)
EZS	6pin [P] (standard)	3, 5, 6, 7	64mm	29~33~33~43~43~53mm
EXS	7pin [Z]			
V18 [V]				
GV [GV]				

Dimensions (unit : mm)

● V-EZS-5NU (shown EZS-5 with V18 cyl., NU type handle)

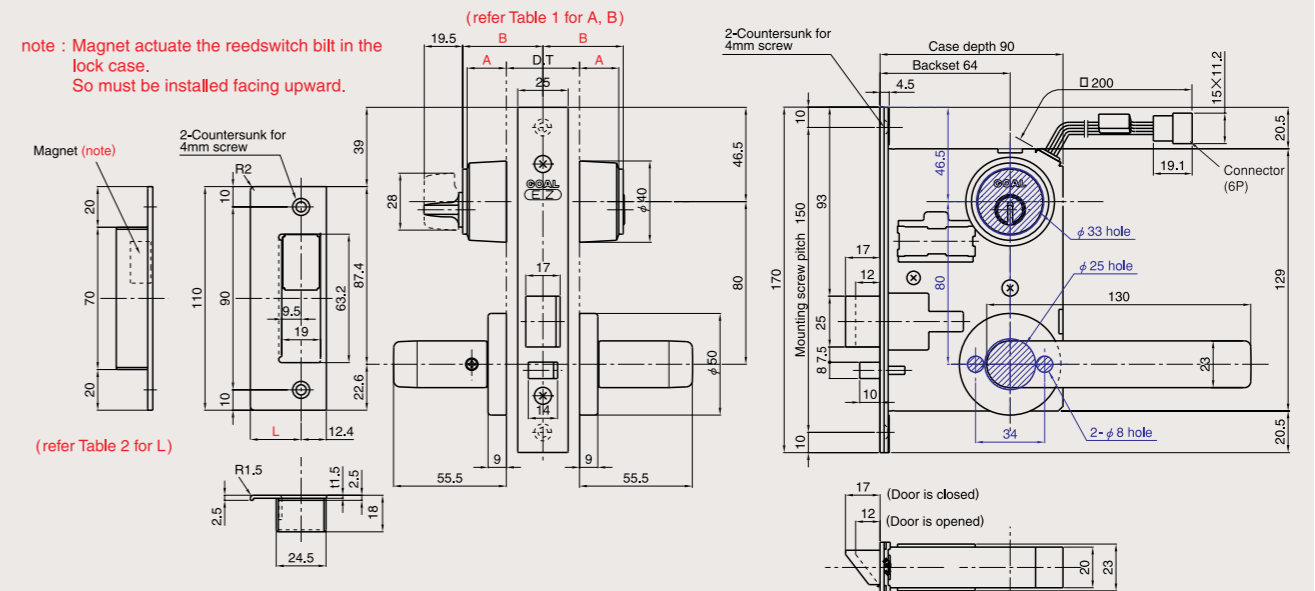


Table 1. A, B dimensions

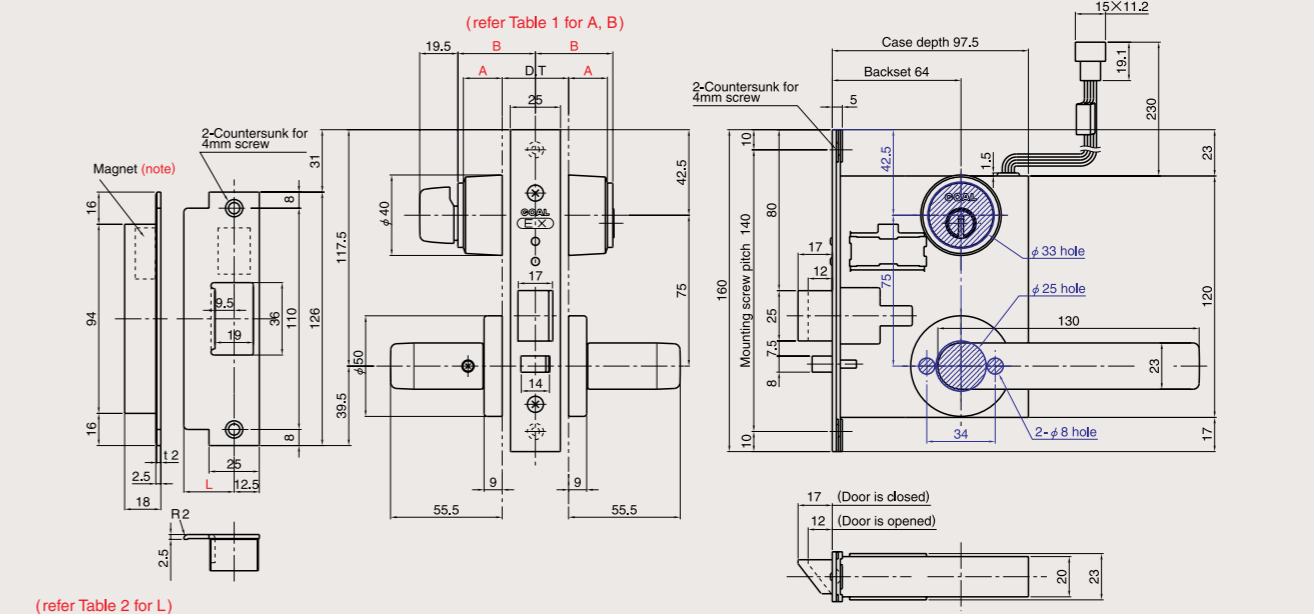
D.T (mm)	A (mm)	B (mm)
29~43	19.5	38.5
43~53	14.5	38.5
53~63	19.5	48.5
63~73	14.5	48.5
73~83	19.5	58.5

Table 2. L dimensions

D.T (mm)	Single leaf door	
	Strike	L (mm)
29~33	20 L	20
33~43	25 L	25
43~53	30 L	30

D.T (mm)	Double leaves door	
	Strike	L (mm)
29~33	16 L (d)	16
33~37	18 L (d)	18
37~42	20 L (d)	20
43~47	23 L (d)	23
47~51	25 L (d)	25

● V-EXS-5NU (shown EXS-5 with V18 cyl., NU type handle)



(refer Table 2 for L)

Information

Pin cylinder, Keying system, Function No. To order, etc.

Locks

Push-pull handle lock
Handle designs
PXK, PX, PZK, PZ, PLK, PL, PVK, PY, PYS

Lever handle lock
Handle designs
AHL, AHL, LGK, LG, LX, LH, HL, LY, LW

Mortise lock
Knob designs
AH, AHP, AS, HS

Integral lock
UC, G

Cylindrical lock
UH, US

Dead lock
LDK, LD, HD, 1502/1503, AHD, AD, GK, GG, HN, ANT

Lim dead lock
MH, MD, MDU

Cremon bolt
CMM

Glass door lock
2510, HDT, CG, AG, BG

Sliding door lock
SK, PSS, SAK, SN, TSD, AD(B/S600)

Cup handle lock
AHC, ASC, HSC, HSTC, UCC, GC

Emergency lock
AHLH, AHH, HSTH, HDH, AHDH

Electric lock & Security system

RF key
Remo. con. key
Ten key pad
KRS, KRC, BTKLX, TKS

Hotel card lock
JCLM, JCL

Electric lock
PXE, PZE, EZS, EXS, EXM, EV, ES, EL, EM, EV, SXE, CMT, CMR, ME

Electric conductor, Control box, Key switch, etc.
RCL, RCB, RSP, KS, ACT

Dimensions

Information

Pin cylinder, Keying system, Function No. To order, etc.

Locks

Push-pull handle lock
Handle designs
PXK, PX, PZK, PZ, PLK, PL, PVK, PY, PYS

Lever handle lock
Handle designs
AHL, AHL, LGK, LG, LX, LH, HL, LY, LW

Mortise lock
Knob designs
AH, AHP, AS, HS

Integral lock
UC, G

Cylindrical lock
UH, US

Dead lock
LDK, LD, HD, 1502/1503, AHD, AD, GK, GG, HN, ANT

Lim dead lock
MH, MD, MDU

Cremon bolt
CMM

Glass door lock
2510, HDT, CG, AG, BG

Sliding door lock
SK, PSS, SAK, SN, TSD, AD(B/S600)

Cup handle lock
AHC, ASC, HSC, HSTC, UCC, GC

Emergency lock
AHLH, AHH, HSTH, HDH, AHDH

Electric lock & Security system

RF key
Remo. con. key
Ten key pad
KRS, KRC, BTKLX, TKS

Hotel card lock
JCLM, JCL

Electric lock
PXE, PZE, EZS, EXS, EXM, EV, ES, EL, EM, EV, SXE, CMT, CMR, ME

Electric conductor, Control box, Key switch, etc.
RCL, RCB, RSP, KS, ACT

Dimensions

EU

Electric lock (Changeable function) EU series
EUT, EUR, EUTP, EURP

Text P.58

Cylinder [symbol]	Function No.	Handle	Backset	D.T (Door thickness)
6pin [P] (standard)	3, 5, 6, 7	lever handle	76mm	29~33·33~38·38~43
7pin [Z]				43~48·48~53mm
V18 [V]				29~33·33~43
GV [GV]				43~53mm

Dimensions (unit : mm)

● (Lever handle type) V-EUT, EUTP, EUR, EURP-5NU <shown V18 cyl., NU type handle>

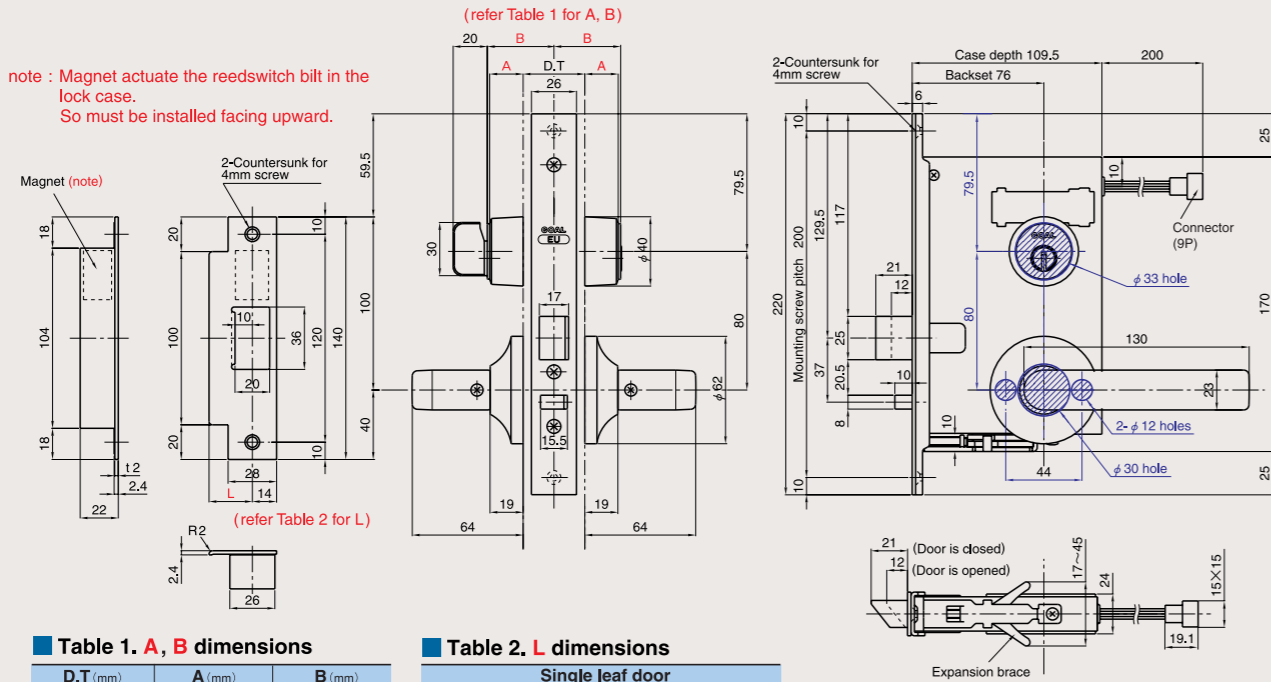


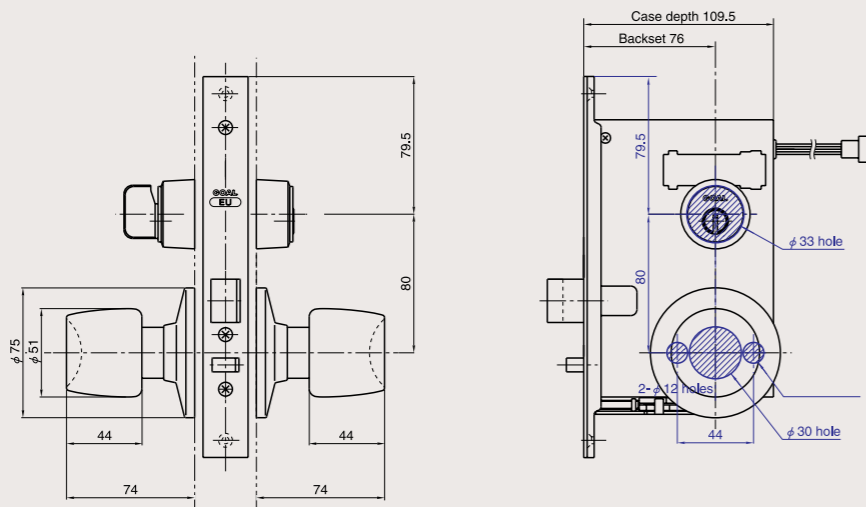
Table 1. A, B dimensions

D.T (mm)	A (mm)	B (mm)
29~43	19.5	38.5
43~53	14.5	38.5
53~63	19.5	48.5
63~73	14.5	48.5
73~83	19.5	58.5

Table 2. L dimensions

Single leaf door		
D.T (mm)	Strike	L (mm)
29~33	20 L	20
33~43	25 L	25
43~53	30 L	30
Double leaves door		
D.T (mm)	Strike	L (mm)
29~33	16 L (d)	16
33~37	18 L (d)	18
37~42	20 L (d)	20
43~47	23 L (d)	23
47~51	25 L (d)	25

● (Knob type) V-EUT, EUTP, EUR, EURP-5Q <shown EUT-5 with V18 cyl., Q type knob>
 (* Strike and non-entered dimensions are same as above dimensions.)



Information

Pin cylinder, Keying system, Function No. To order, etc.

Locks

Push-pull handle lock
 Handle designs
 PJK, PX, PZK, PZ, PLK, PL, PVKU, PY, PYS

Lever handle lock
 Handle designs
 AHL, AHL, LGK, LG, LX, LH, HL, LY, LW

Mortise lock
 Knob designs
 AH, AHP, AS, HS

Integral lock
 UC, G

Cylindrical lock
 UH, US

Dead lock
 LDK, LD, HD, 1502/1503, AHD, AD, GK, GG, HN, ANT

Rim dead lock
 MH, MD, MDU

Cremon bolt
 CMM

Glass door lock
 2510, HDT, CG, AG, BGU

Sliding door lock
 SX, PSS, SAK, SN, TSD, AD(B/S600)

Cup handle lock
 AHC, ASC, HSTC, UCC, GC

Emergency lock
 AHLH, AHH, HSTH, HDH, AHDH

Electric lock & Security system

RF key
 Remo. con. key
 Ten key pad
 KRS, KRC, BTKLX, TKS

Hotel card lock
 JCLM, JCL

Electric lock
 PXE, PZE, EZS, EXS, EXM, EU, ES, EL, EM, EV, SXE, CMT, CMR, ME

Electric conductor, Control box, Key switch, etc.
 RCL, RCB, RSP, KS, ACT

Dimensions

EL ES

Electric lock
EL (lever handle type), ES (knob type) series

Text P.59~61

Series	handle	Cylinder [symbol]	Function No.	Backset	D.T (Door thickness)
EL-M, R, T, B	lever	6pin [P] (standard) 7pin [Z] V18 [V]	3, 5, 6, 7	76mm	29~33·33~43·43~53mm
ES-M, R, T, B	knob	GV [GV]			

Dimensions (unit : mm)

● (Lever handle type) V-ELM, ELR, ELT, ELB-5NU <shown ELB-5 with V18 cyl., NU type handle>

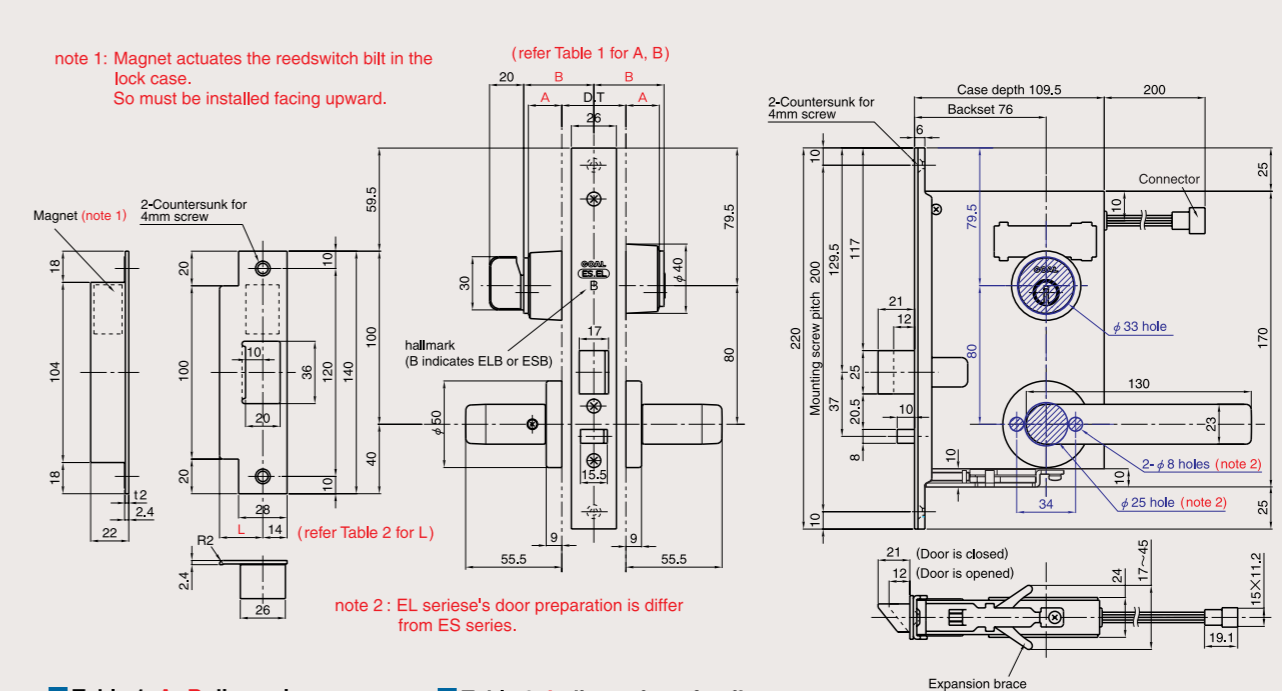


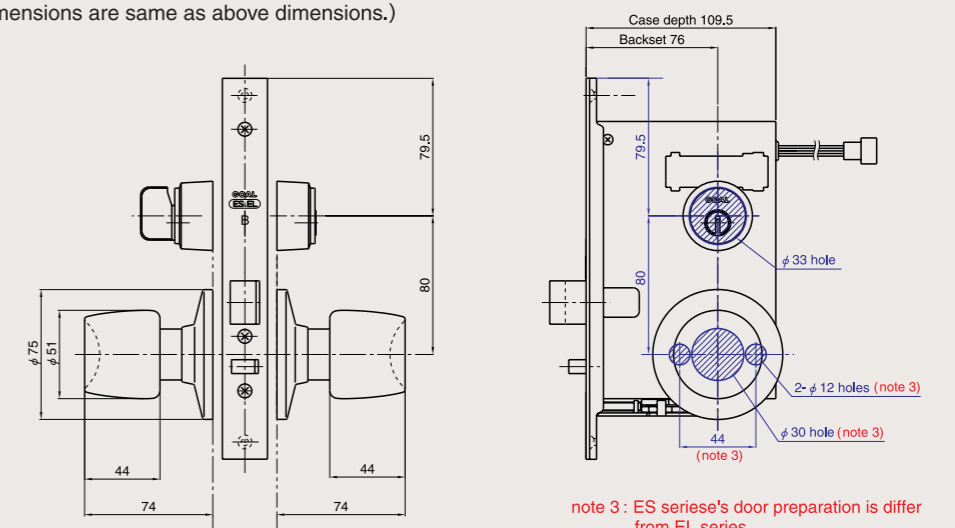
Table 1. A, B dimensions

D.T (mm)	A (mm)	B (mm)
29~43	19.5	38.5
43~53	14.5	38.5
53~63	19.5	48.5
63~73	14.5	48.5
73~83	19.5	58.5

Table 2. L dimension of strike

Single leaf door		
D.T (mm)	Strike	L (mm)
29~33	20 L	20
33~43	25 L	25
43~53	30 L	30
Double leaves door		
D.T (mm)	Strike	L (mm)
29~33	16 L (d)	16
33~37	18 L (d)	18
37~42	20 L (d)	20
43~47	23 L (d)	23
47~51	25 L (d)	25

● (Knob type) V-ESM, ESR, EST, ESB-5Q <shown ESB-5 with V18 cyl., Q type knob>
 (* Strike and non-entered dimensions are same as above dimensions.)



note 3 : ES serie's door preparation is differ from EL series.

Information

Pin cylinder, Keying system, Function No. To order, etc.

Locks

Push-pull handle lock
 Handle designs
 PJK, PX, PZK, PZ, PLK, PL, PVKU, PY, PYS

Lever handle lock
 Handle designs
 AHL, AHL, LGK, LG, LX, LH, HL, LY, LW

Mortise lock
 Knob designs
 AH, AHP, AS, HS

Integral lock
 UC, G

Cylindrical lock
 UH, US

Dead lock
 LDK, LD, HD, 1502/1503, AHD, AD, GK, GG, HN, ANT

Rim dead lock
 MH, MD, MDU

Cremon bolt
 CMM

Glass door lock
 2510, HDT, CG, AG, BGU

Sliding door lock
 SX, PSS, SAK, SN, TSD, AD(B/S600)

Cup handle lock
 AHC, ASC, HSTC, UCC, GC

Emergency lock
 AHLH, AHH, HSTH, HDH, AHDH

Electric lock & Security system

RF key
 Remo. con. key
 Ten key pad
 KRS, KRC, BTKLX, TKS

Hotel card lock
 JCLM, JCL

Electric lock
 PXE, PZE, EZS, EXS, EXM, EU, ES, EL, EM, EV, SXE, CMT, CMR, ME

Electric conductor, Control box, Key switch, etc.
 RCL, RCB, RSP, KS, ACT

Dimensions

**EL
ES**

Electric lock with anti-panic device
ELRP, ELTP (lever handle type)
ESRP, ESTP (knob type)

Text P.60, 61

Series	handle	Cylinder [symbol]	Function No.	hand	Backset	D.T (Door thickness)
ELRP, ELTP	lever	6pin [P] (standard) 7pin [Z] V18 [V]	7	R, L	76mm	29~33·33~38·38~43· 43~48·48~53mm
ESRP, ESTP	knob	V18 [V] GV [GV]				29~33·33~43· 43~53mm

Dimensions (unit : mm)

● **(Lever handle type with anti-panic device) V-ELRP, ELTP-7NU (R)**
 (shown ELRP-7 with V18 cyl., NU type handle, R hand)

note : Magnet actuates the reedswitch built in the lock case.
 So must be installed facing upward.

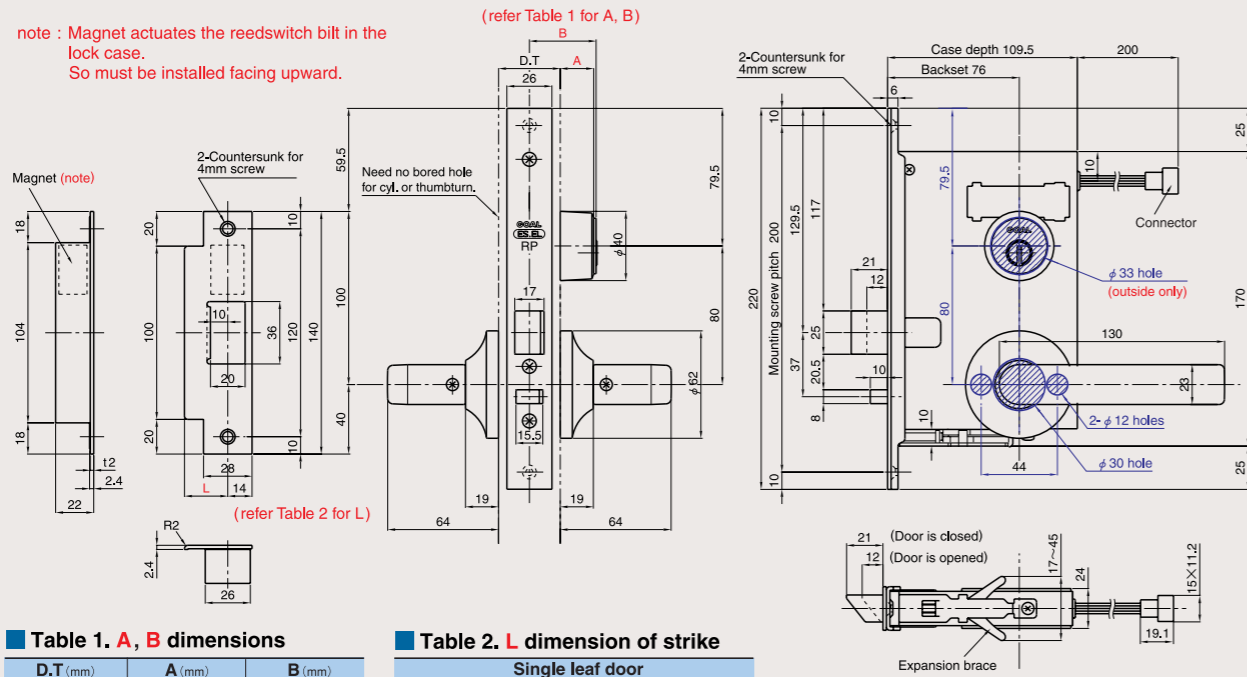


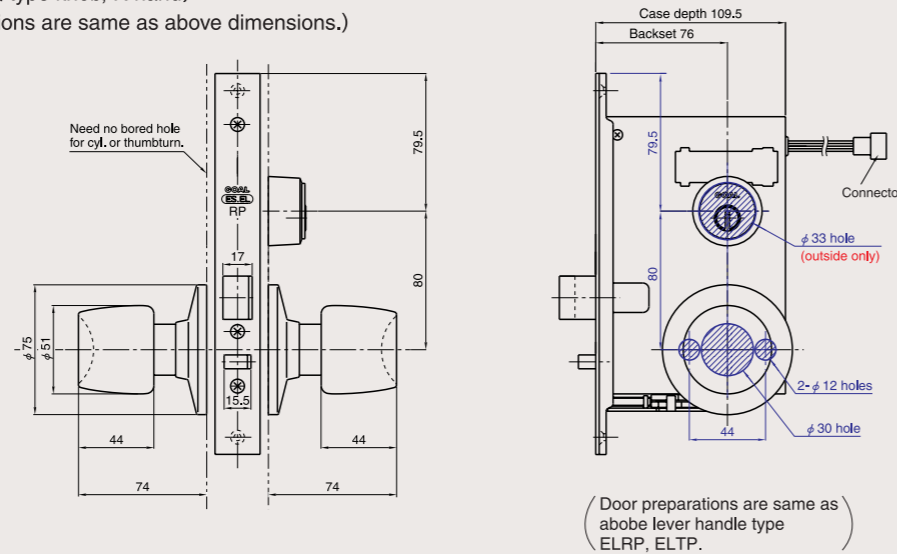
Table 1. A, B dimensions

D.T (mm)	A (mm)	B (mm)
29~43	19.5	38.5
43~53	14.5	38.5
53~63	19.5	48.5
63~73	14.5	48.5
73~83	19.5	58.5

Table 2. L dimension of strike

Single leaf door		
D.T (mm)	Strike	L (mm)
29~33	20 L	20
33~43	25 L	25
43~53	30 L	30
Double leaves door		
D.T (mm)	Strike	L (mm)
29~33	16 L(d)	16
33~37	18 L(d)	18
37~42	20 L(d)	20
43~47	23 L(d)	23
47~51	25 L(d)	25

● **(Knob type with anti-panic device) V-ESRP, ESTP-7NU (R)**
 (shown V-ESRP-7 with V18 cyl., Q type knob, R hand)
 (※ Strike and non-entered dimensions are same as above dimensions.)



(Door preparations are same as above lever handle type ELRP, ELTP.)

**EL
ES**

Electric lock ELSF, ESSF (no lamp)
ELS, ESS (furnished with lamp)

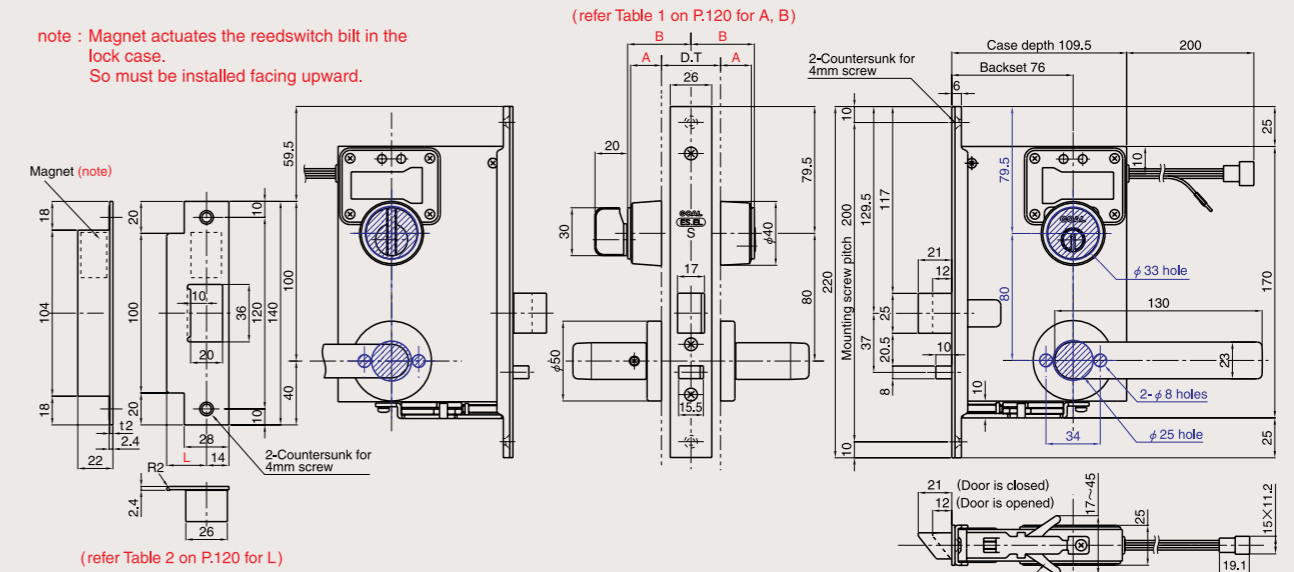
Text P.59

Series	Cylinder [symbol]	Function No.	Backset	D.T (Door thickness)
ELSF, ESSF	6pin [P] (standard) 7pin [Z] V18 [V]	3, 5, 6, 7	76mm	29~33·33~43·43~53mm
ELS, ESS	V18 [V] GV [GV]	3, 5, 6		33~35·35~37·37~39· 39~41·41~43mm

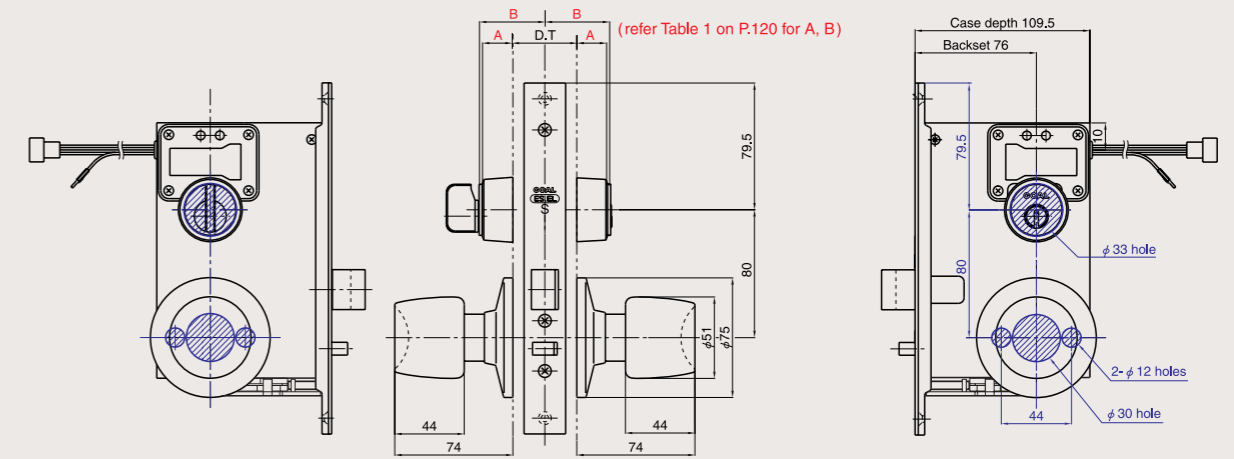
Dimensions (unit : mm)

● **(Lever handle type furnished with no lamp) V-ELSF-5NU (shown ELSF-5 with V18 cyl., NU type handle)**

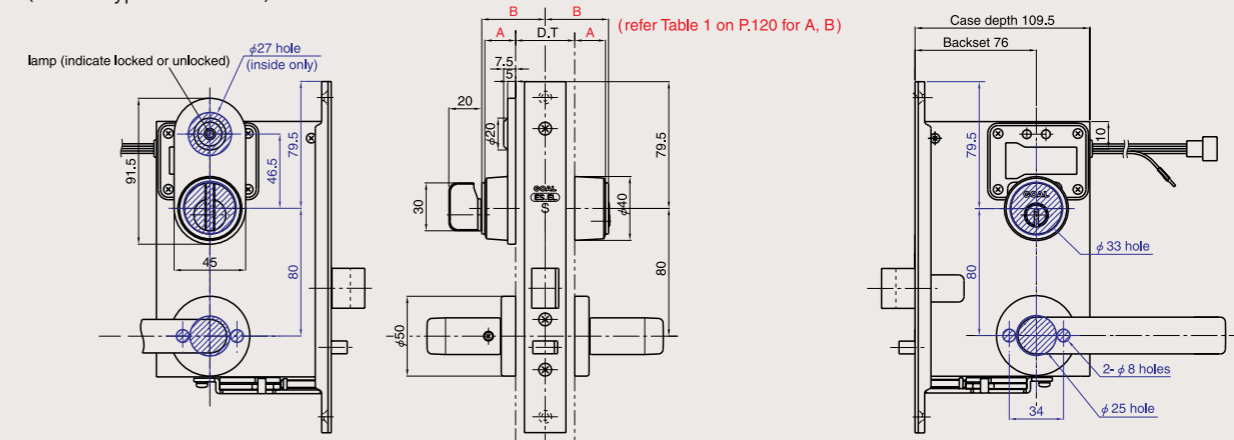
note : Magnet actuates the reedswitch built in the lock case.
 So must be installed facing upward.



● **(Knob type furnished with no lamp) V-ESSF-5Q (shown ESSF-5 with V18 cyl., Q type knob)**



● **(Lever handle type furnished with lamp) V-ELS-5NU (shown ELS-5 with V18 cyl., NU type handle)**
 (※ Knob type is ESS-5Q.)



Information

Pin cylinder, Keying system, Function No. To order, etc.

Locks

Push-pull handle lock
 Handle designs
 PJK, PX, PZK, PZ, PLK, PL, PVKU, PY, PYS

Lever handle lock
 Handle designs
 AHL, AHL, LGK, LG, LX, LH, HL, LY, LW

Mortise lock
 Knob designs
 AH, AHP, AS, HS

Integral lock
 UC, G

Cylindrical lock
 UH, US

Dead lock
 LDK, LD, HD, 1502/1503, AHD, AD, GK, GG, HN, ANT

Rim dead lock
 MH, MD, MDU

Cremon bolt
 CMM

Glass door lock
 2510, HDT, CG, AG, BGU

Sliding door lock
 SX, PSS, SAK, SN, TSD, AD(B/S600)

Cup handle lock
 AHC, ASC, HSTC, UCC, GC

Emergency lock
 AHLH, AHH, HSTH, HDH, AHDH

Electric lock & Security system

RF key
 Remo. con. key
 Ten key pad
 KRS, KRC, BTKLX, TKS

Hotel card lock
 JCLM, JCL

Electric lock
 PXE, PZE, EZS, EXS, EXM, EU, ES, EL, EM, EV, SXE, CMT, CMR, ME

Electric conductor, Control box, Key switch, etc.
 RCL, RCB, RSP, KS, ACT

Dimensions

Information

Pin cylinder, Keying system, Function No. To order, etc.

Locks

Push-pull handle lock
 Handle designs
 PJK, PX, PZK, PZ, PLK, PL, PVKU, PY, PYS

Lever handle lock
 Handle designs
 AHL, AHL, LGK, LG, LX, LH, HL, LY, LW

Mortise lock
 Knob designs
 AH, AHP, AS, HS

Integral lock
 UC, G

Cylindrical lock
 UH, US

Dead lock
 LDK, LD, HD, 1502/1503, AHD, AD, GK, GG, HN, ANT

Rim dead lock
 MH, MD, MDU

Cremon bolt
 CMM

Glass door lock
 2510, HDT, CG, AG, BGU

Sliding door lock
 SX, PSS, SAK, SN, TSD, AD(B/S600)

Cup handle lock
 AHC, ASC, HSTC, UCC, GC

Emergency lock
 AHLH, AHH, HSTH, HDH, AHDH

Electric lock & Security system

RF key
 Remo. con. key
 Ten key pad
 KRS, KRC, BTKLX, TKS

Hotel card lock
 JCLM, JCL

Electric lock
 PXE, PZE, EZS, EXS, EXM, EU, ES, EL, EM, EV, SXE, CMT, CMR, ME

Electric conductor, Control box, Key switch, etc.
 RCL, RCB, RSP, KS, ACT

Dimensions

EM EMSX Electric dead lock (motor lock) EM, EMSX series

Text P.62

Series	Cylinder [symbol]	Function No.	Backset	D.T (Door thickness)
EM	6pin [P] (standard) 7pin [Z] V18 [V] GV [GV]	3, 5, 6, 7	38, 51, 64, 76mm	29~43·43~53mm
EMSX (water-proof)		5, 6, 7	51mm	P Z-EMSX-5, 7...30~55mm P Z-EMSX-6...30~55mm

Dimensions (unit : mm)

● V-EM-5 <shown EM-5 with V18 cyl.>

note 1 : Magnet actuates the reedswitch built in the lock case.
So must be installed facing upward.

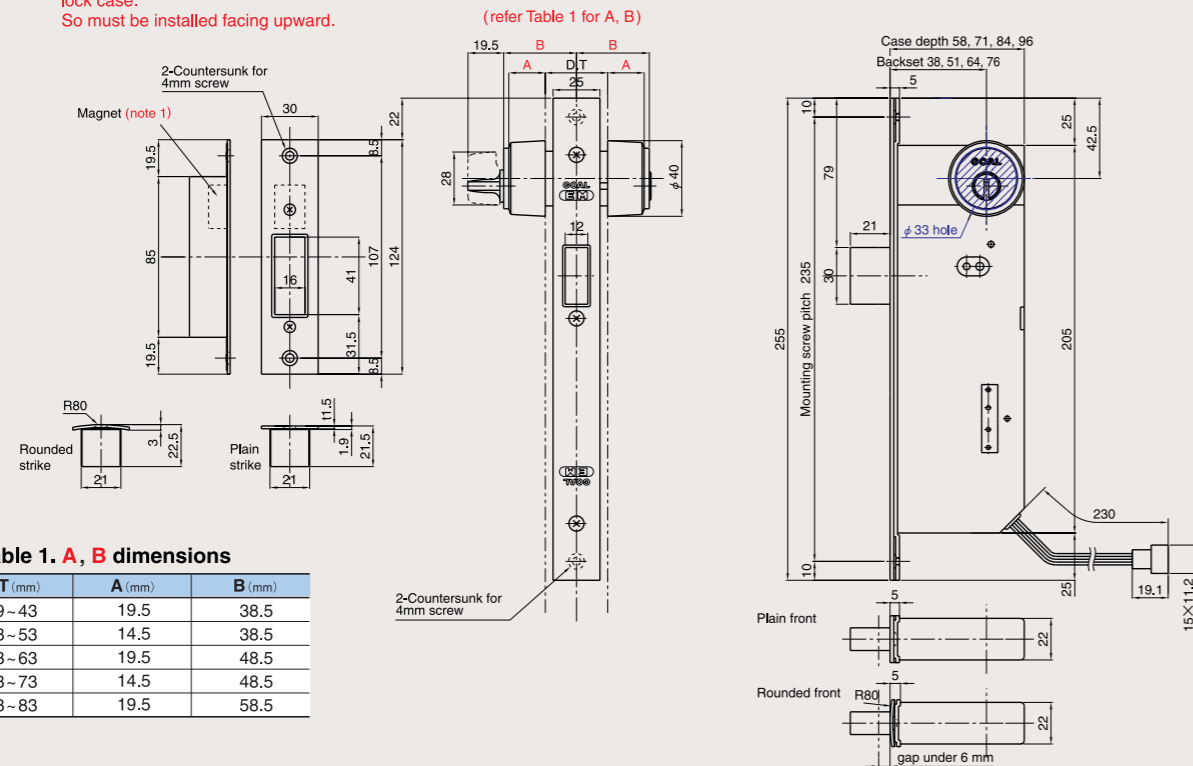
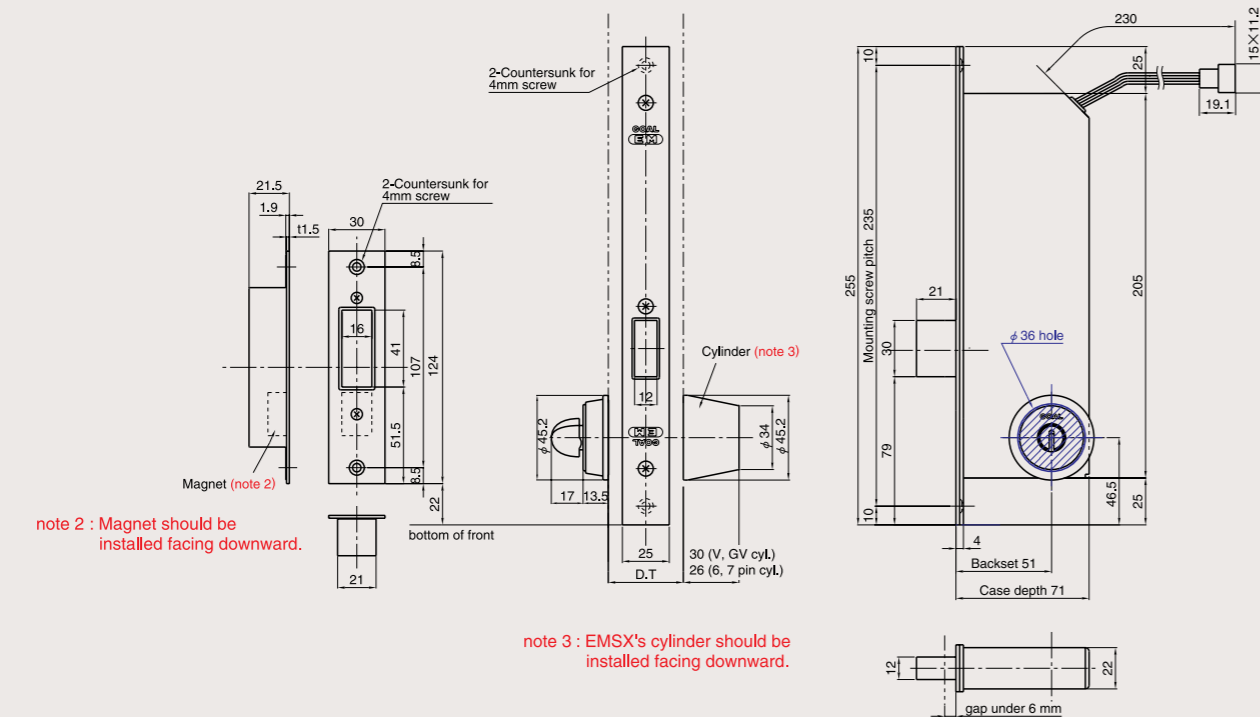


Table 1. A, B dimensions

D.T (mm)	A (mm)	B (mm)
29-43	19.5	38.5
43-53	14.5	38.5
53-63	19.5	48.5
63-73	14.5	48.5
73-83	19.5	58.5

● (Water-proof type) V-EMSX-5 <shown EMSX-5 with V18 cyl.> (※ Backset is 51mm only.)



note 2 : Magnet should be installed facing downward.

note 3 : EMSX's cylinder should be installed facing downward.

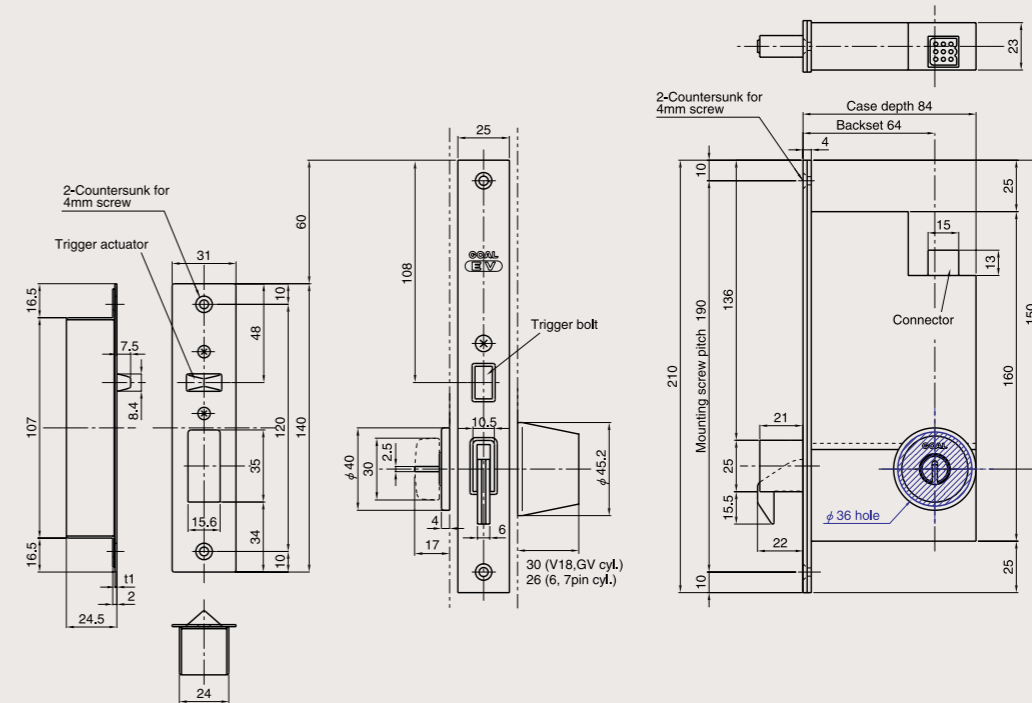
EV Electric dead lock EV

Text P.63

Cylinder [symbol]	Function No.	Backset	D.T (Door thickness)
6pin [P] (standard) 7pin [Z] V18 [V] GV [GV]	5	64mm	34~35·35~38·38~41·41~44mm 33~34·34~37·37~40·40~43mm

Dimensions (unit : mm)

● V-EV-5 <shown EV-5 with V18 cyl.>



Information

Pin cylinder, Keying system, Function No. To order, etc.

Locks

Push-pull handle lock
Handle designs
PXK, PX, PZK, PZ, PLK, PL, PVKU, PY, PYS

Lever handle lock
Handle designs
AHL, AHL, LGK, LG, LX, LH, HL, LY, LW

Mortise lock
Knob designs
AH, AHP, AS, HS

Integral lock
UC, G

Cylindrical lock
UH, US

Dead lock
LDK, LD, HD, 1502/1503, AHD, AD, GK, GG, HN, ANT

Rim dead lock
MH, MD, MDU
Cremon bolt
CMM

Glass door lock
2510, HDT, CG, AG, BGU

Sliding door lock
SX, PSS, SAK, SN, TSD, AD(B/S600)

Cup handle lock
AHC, ASC, HSTC, UCC, GC

Emergency lock
AHLH, AHH, HSTH, HDH, AHDH

Electric lock & Security system

RF key
Remo. con. key
Ten key pad
KRS, KRC, BTKLX, TRS

Hotel card lock
JCLM, JCL

Electric lock
PXE, PZE, EZS, EXS, EXM, EU, ES, EL, EM, EV, SXE, CMT, CMR, ME

Electric conductor, Control box, Key switch, etc.
RCL, RCB, RSP, KS, ACT

Dimensions

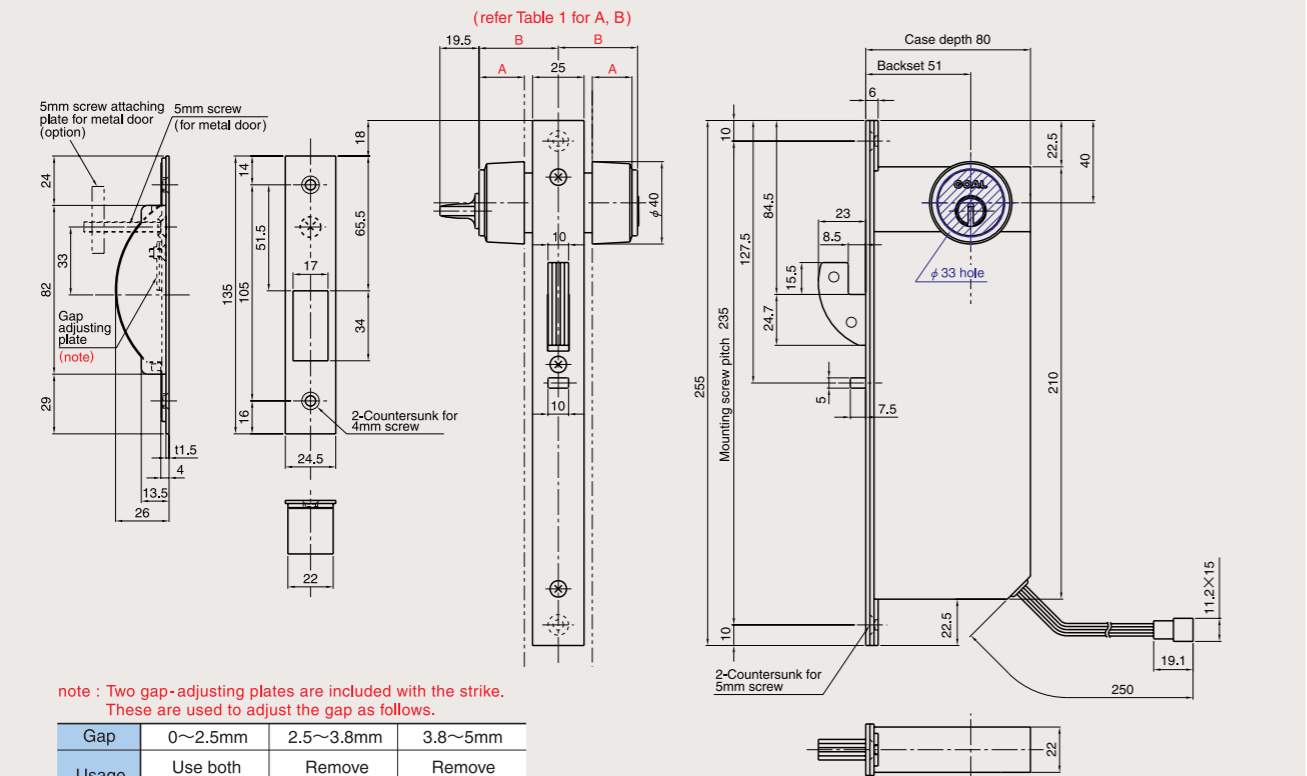
SXE Electric dead lock SXE (for sliding door) SXES (water-proof type)

Text P.63

Series	Cylinder [symbol]	Function No.	Backset	D.T (Door thickness)
SXE	6pin [P] (standard) 7pin [Z] V18 [V]	3, 5, 6, 7	51mm	29~43·43~53mm
SXES	GV [GV]	5, 6, 7	51mm	29~43·43~53mm

Dimensions (unit : mm)

● V-SXE-5 (shown SXE-5 with V18 cyl.)



note : Two gap-adjusting plates are included with the strike. These are used to adjust the gap as follows.

Gap	0~2.5mm	2.5~3.8mm	3.8~5mm
Usage	Use both plates.	Remove one plate.	Remove both plates.

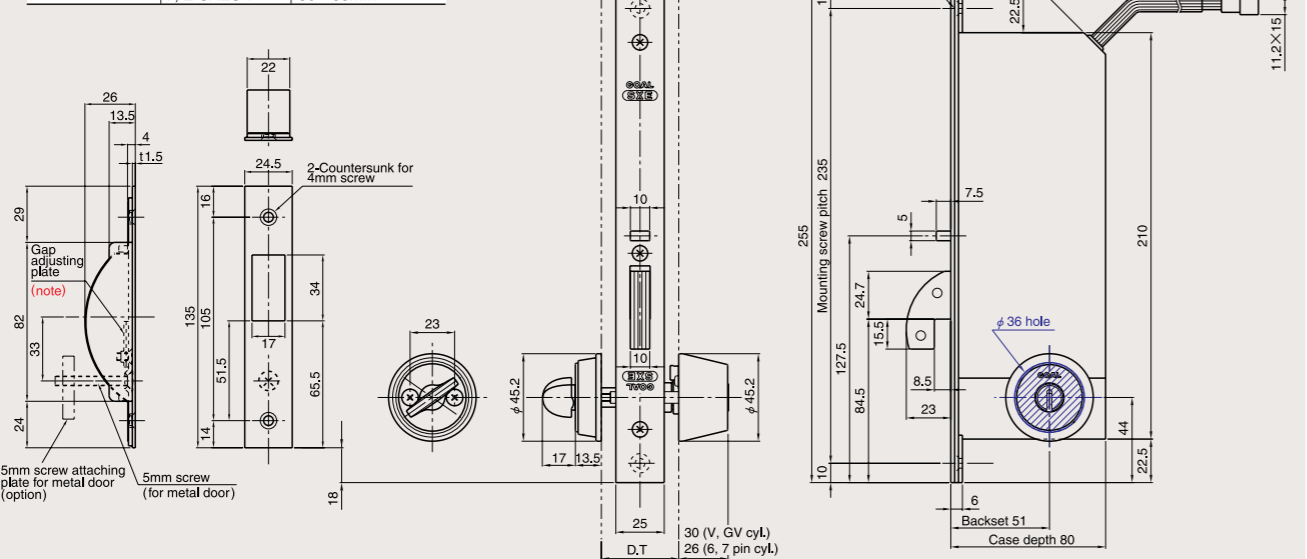
Table 1. A, B dimensions

D.T (mm)	A (mm)	B (mm)
29~43	19.5	38.5
43~53	14.5	38.5
53~63	19.5	48.5
63~73	14.5	48.5
73~83	19.5	58.5

● (water-proof type) V-SXES-5 (shown SXE-5 with V18 cyl.)

● SXES Door thickness

Cylinder [symbol]	Function No.	D.T (Door thickness)
GV [GV]	V, GV-SXES-5, 7	30~43·43~53mm
V18 [V]	V, GV-SXES-6	30~40·40~50mm
7pin [Z]	P, Z-SXES-5	30~45·45~55mm
6pin [P] (standard)	P, Z-SXES-6	37~47·47~57mm
	P, Z-SXES-7	30~55mm



Information

Pin cylinder, Keying system, Function No. To order, etc.

Locks

Push-pull handle lock
Handle designs
PXK, PX, PZK, PZ, PLK, PL, PVKU, PY, PYS

Lever handle lock
Handle designs
AHL, AHL, LGK, LG, LX, LH, HL, LY, LW

Mortise lock
Knob designs
AH, AHP, AS, HS

Integral lock
UC, G

Cylindrical lock
UH, US

Dead lock
LDK, LD, HD, 1502/1503, AHD, AD, GK, GG, HN, ANT

Rim dead lock
MH, MD, MDU

Cremon bolt
CMM

Glass door lock
2510, HDT, CG, AG, BGU

Sliding door lock
SX, PSS, SAK, SN, TSD, AD(B/S600)

Cup handle lock
AHC, ASC, HSTC, UCC, GC

Emergency lock
AHLH, AHH, HSTH, HDH, AHDH

Electric lock & Security system

RF key
Remo. con. key
Ten key pad
KRS, KRC, BTKLX, TKS

Hotel card lock
JCLM, JCL

Electric lock
PXE, PZE, EZS, EXS, EXM, EU, ES, EL, EM, EV, SXE, CMT, CMR, ME

Electric conductor, Control box, Key switch, etc.
RCL, RCB, RSP, KS, ACT

Dimensions

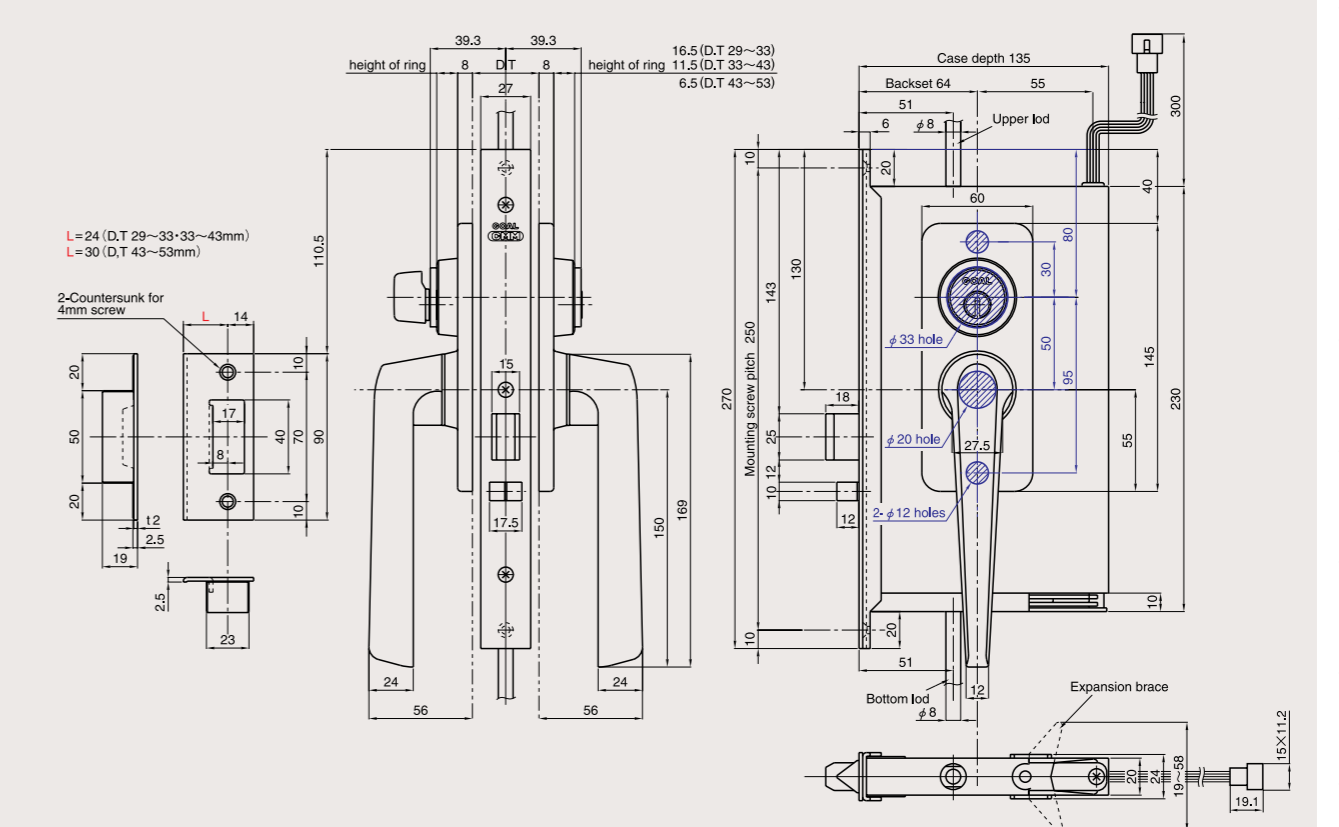
CMT Electric cremon bolt lock CMR CMT, CMR series

Text P.64

Series	Cylinder [symbol]	Function No.	Backset	D.T (Door thickness)
CMT	6pin [P] (standard) 7pin [Z] V18 [V]	1, 3, 5, 6, 7	64mm	29~33·33~43·43~53mm
CMR	GV [GV]			

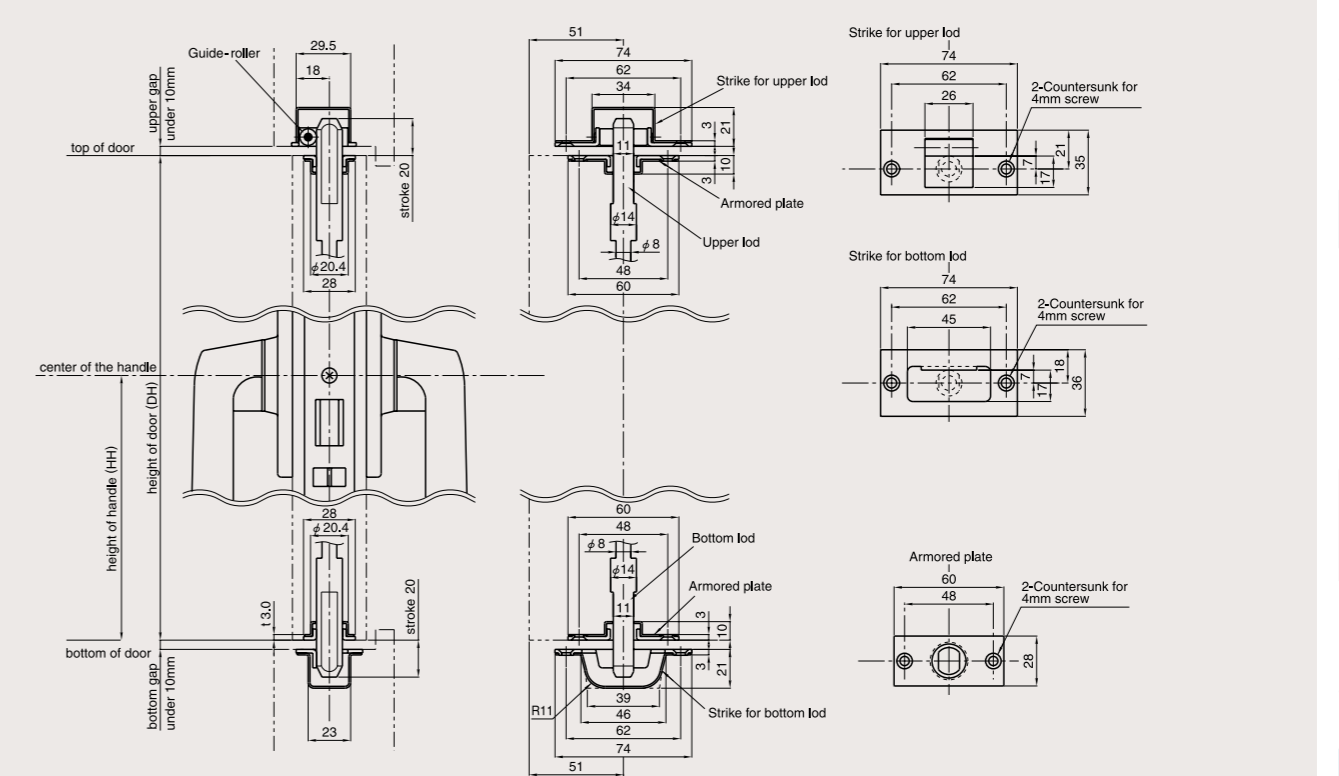
Dimensions (unit : mm)

● V-CMT (CMR)-5 (shown CMT-5 with V18 cyl.)



Side view of vertical section

Front view of vertical section



Information

Pin cylinder, Keying system, Function No. To order, etc.

Locks

Push-pull handle lock
Handle designs
PXK, PX, PZK, PZ, PLK, PL, PVKU, PY, PYS

Lever handle lock
Handle designs
AHL, AHL, LGK, LG, LX, LH, HL, LY, LW

Mortise lock
Knob designs
AH, AHP, AS, HS

Integral lock
UC, G

Cylindrical lock
UH, US

Dead lock
LDK, LD, HD, 1502/1503, AHD, AD, GK, GG, HN, ANT

Rim dead lock
MH, MD, MDU

Cremon bolt
CMM

Glass door lock
2510, HDT, CG, AG, BGU

Sliding door lock
SX, PSS, SAK, SN, TSD, AD(B/S600)

Cup handle lock
AHC, ASC, HSTC, UCC, GC

Emergency lock
AHLH, AHH, HSTH, HDH, AHDH

Electric lock & Security system

RF key
Remo. con. key
Ten key pad
KRS, KRC, BTKLX, TKS

Hotel card lock
JCLM, JCL

Electric lock
PXE, PZE, EZS, EXS, EXM, EU, ES, EL, EM, EV, SXE, CMT, CMR, ME

Electric conductor, Control box, Key switch, etc.
RCL, RCB, RSP, KS, ACT

Dimensions

ME Electric rim dead lock

Text P.64

Cylinder (symbol)	Function No.	D.T (Door thickness)
V18 [V] (standard) GV [GV]	5	30~50mm

Information

Pin cylinder, Keying system, Function No. To order, etc.

Locks

Push-pull handle lock
Handle designs
PXK, PX, PZK, PZ, PLK, PL, PVKU, PY, PYS

Lever handle lock

Handle designs
AHL, AHL, LGK, LG, LX, LH, HL, LY, LW

Mortise lock

Knob designs
AH, AHP, AS, HS

Integral lock

UC, G

Cylindrical lock

UH, US

Dead lock

LDK, LD, HD, 1502/1503, AHD, AD, GK, GG, HN, ANT

Rim dead lock

MH, MD, MDU

Cremon bolt

CMM

Glass door lock

2510, HDT, CG, AG, BGU

Sliding door lock

SX, PSS, SAK, SN, TSD, AD(B/S600)

Cup handle lock

AHC, ASC, HSTC, UCC, GC

Emergency lock

AHLH, AHH, HSTH, HDH, AHDH

Electric lock & Security system

RF key

Remo. con. key
Ten key pad
KRS, KRC, BTKLX, TKS

Hotel card lock

JCLM, JCL

Electric lock

PXE, PZE, EZS, EXS, EXM, EU, ES, EL, EM, EV, SXE, CMT, CMR, ME

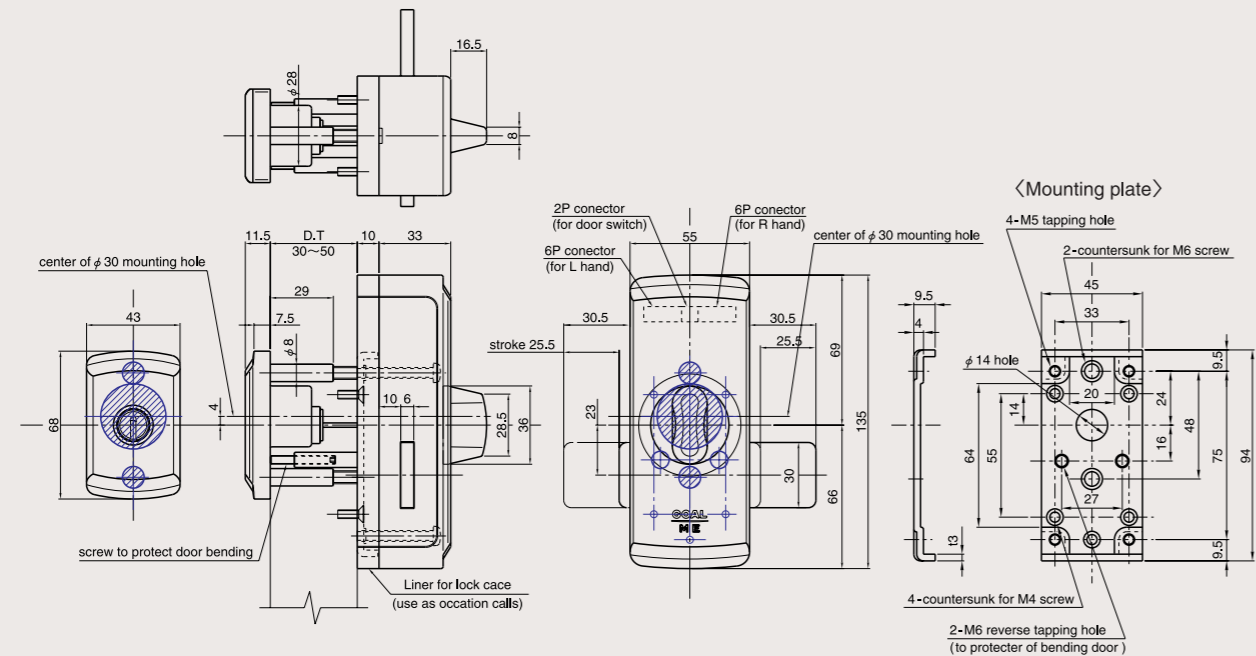
Electric conductor, Control box, Key switch, etc.

RCL, RCB, RSP, KS, ACT

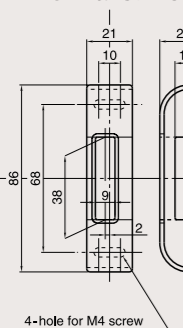
Dimensions

Dimensions (unit : mm)

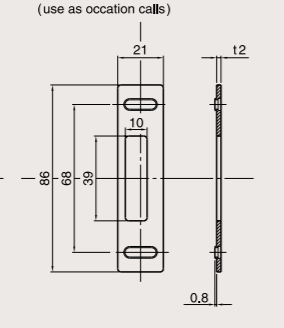
● V-ME-5 (shown ME-5 with V18 cyl.)



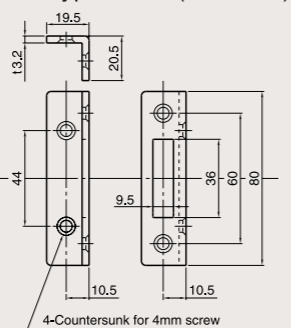
● Normal strike



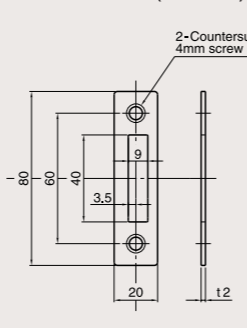
● Liner for normal strike (use as occasion calls)



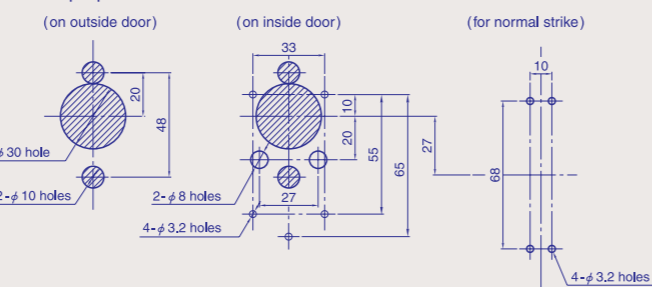
● L type strike (t 3.2mm)



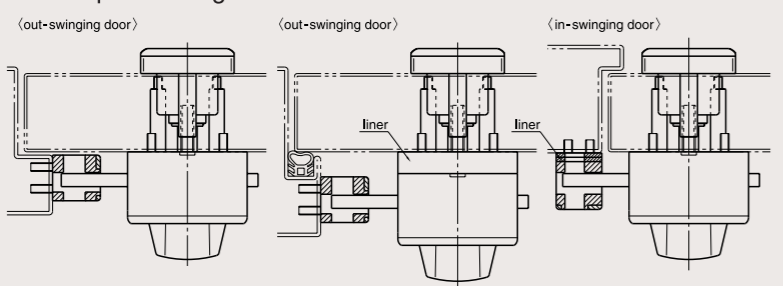
● Flat strike (t 2mm)



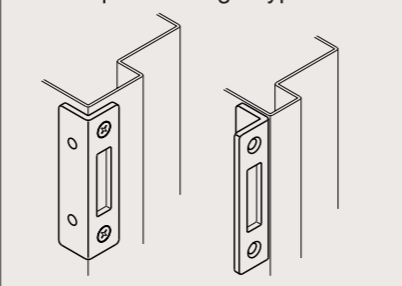
⟨Door preparations⟩



● Example of using normal strike



● Example of using L type strike



RCL Electric conductor RCL-21 series (Concealed mounting type) RCL-16, 1FT (Surface mounting type)

Text P.65

Information

Pin cylinder, Keying system, Function No. To order, etc.

Locks

Push-pull handle lock
Handle designs
PXK, PX, PZK, PZ, PLK, PL, PVKU, PY, PYS

Lever handle lock

Handle designs
AHL, AHL, LGK, LG, LX, LH, HL, LY, LW

Mortise lock

Knob designs
AH, AHP, AS, HS

Integral lock

UC, G

Cylindrical lock

UH, US

Dead lock

LDK, LD, HD, 1502/1503, AHD, AD, GK, GG, HN, ANT

Rim dead lock

MH, MD, MDU

Cremon bolt

CMM

Glass door lock

2510, HDT, CG, AG, BGU

Sliding door lock

SX, PSS, SAK, SN, TSD, AD(B/S600)

Cup handle lock

AHC, ASC, HSTC, UCC, GC

Emergency lock

AHLH, AHH, HSTH, HDH, AHDH

Electric lock & Security system

RF key

Remo. con. key
Ten key pad
KRS, KRC, BTKLX, TKS

Hotel card lock

JCLM, JCL

Electric lock

PXE, PZE, EZS, EXS, EXM, EU, ES, EL, EM, EV, SXE, CMT, CMR, ME

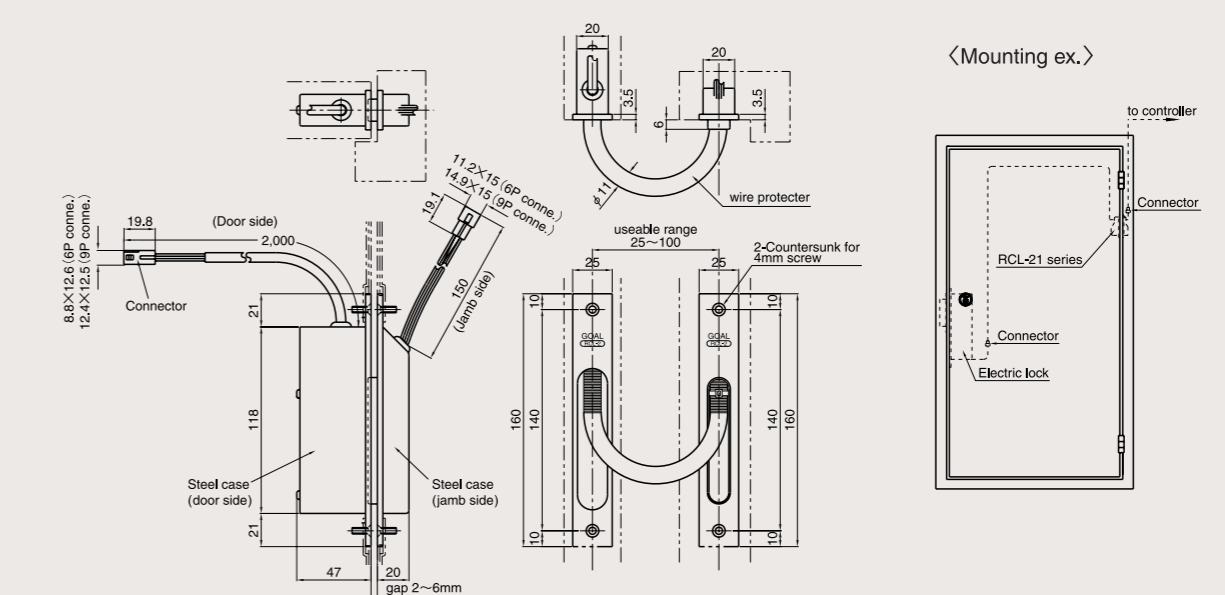
Electric conductor, Control box, Key switch, etc.

RCL, RCB, RSP, KS, ACT

Dimensions

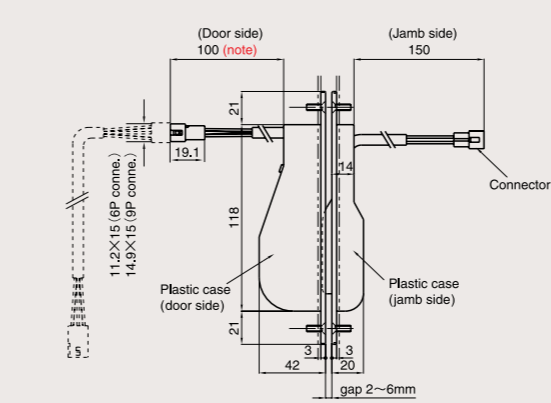
Dimensions (unit : mm)

● (Concealed mounting type) RCL-21 (6 wires, 6P connector), 27 (7 wires, 9P connector), 28G (8 wires, 9P connector)

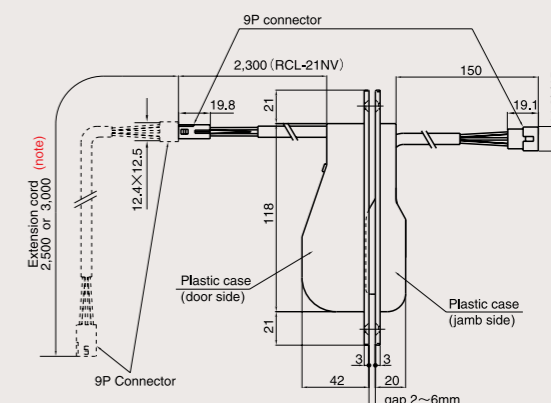


● (Concealed mounting type) RCL-21U (6 wires), 28GU (8 wires)

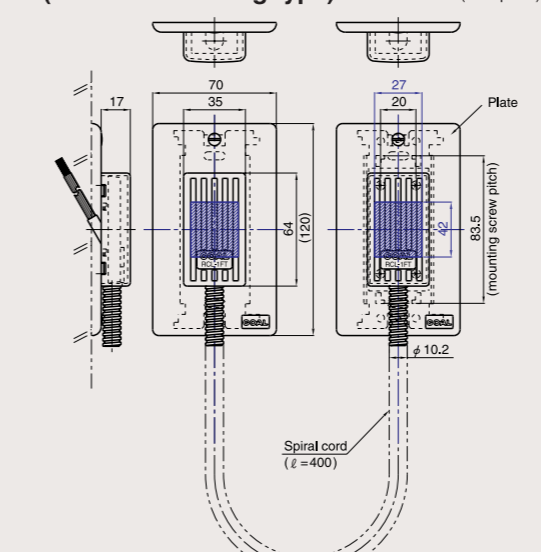
note : Please use the extension cord as occasion calls.



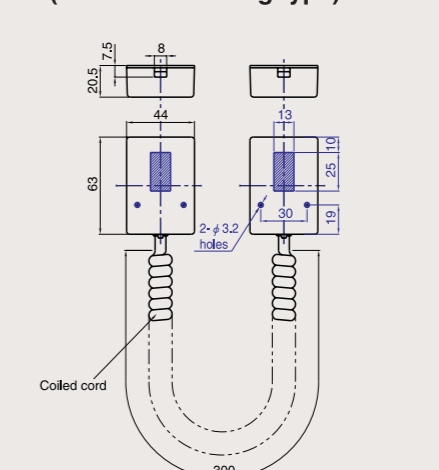
● RCL-21NV (no antenna)



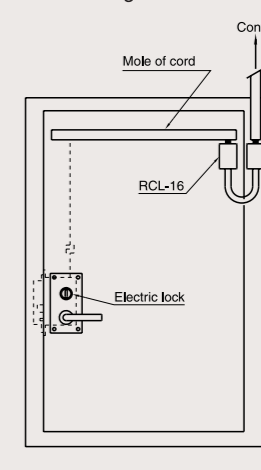
● (Surface mounting type) RCL-1FT (with plate)



● (Surface mounting type) RCL-16



⟨Mounting ex.⟩



**RCB
RSP**

Controller RCB-500~510, 730, 200 etc. Operation panel RSP-410U, 410UH

Text P.66

Information

Pin cylinder,
Keying system,
Function No.
To order, etc.

Locks

Push-pull
handle lock
Handle designs
PXK, PX, PZK, PZ,
PLK, PL, PVKU,
PY, PYS

Lever handle lock

Handle designs
AHL, AHL-P,
LGL, LG, LX,
LH, HL, LY, LW

Mortise lock

Knob designs
AH, AHP,
AS, HS

Integral lock

UC, G

Cylindrical lock

UH, US

Dead lock

LDK, LD, HD,
1502/1503, AHD,
AD, GK, GG,
HN, ANT

Rim dead lock

MH, MD, MDU

Cremon bolt

CMM

Glass door lock

2510, HDT,
CG, AG, BGU

Sliding door lock

SX, PSS, SAK,
SN, TSD,
AD(B/S600)

Cup handle lock

AHC, ASC,
HSTC, UCC, GC

Emergency lock

AHLH, AHH,
HSTH, HDH,
AHDH

Electric lock &
Security system

RF key

Remo. con. key
Ten key pad
KRS, KRC,
BTKLX, TKX

Hotel card lock

JCLM, JCL

Electric lock

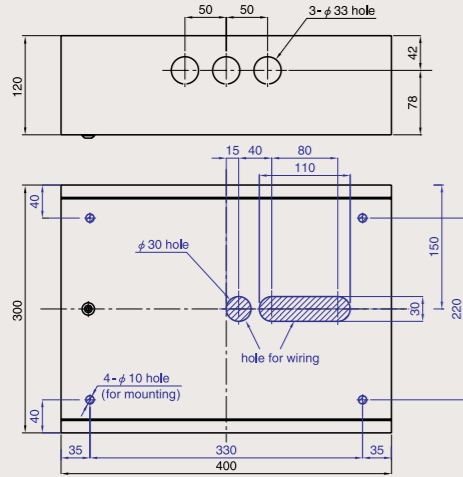
PXE, PZE,
EZX, EXS, EXM,
EU, ES, EL,
EM, EV, SXE,
CMT, CMR, ME

Electric conductor,
Control box,
Key switch, etc.
RCL, RCB,
RSP, KS, ACT

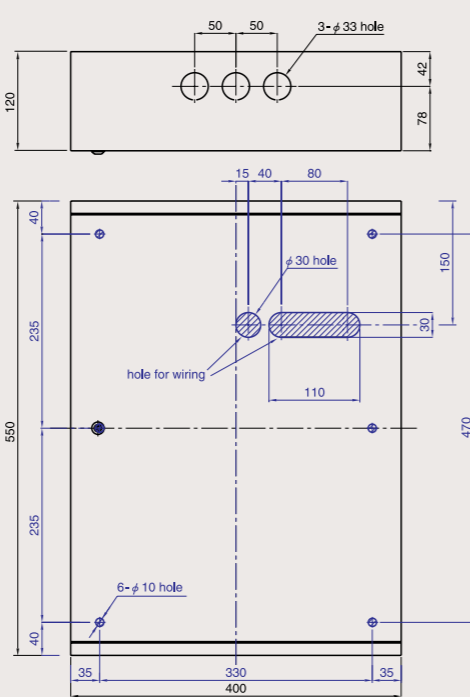
Dimensions

Dimensions (unit : mm)

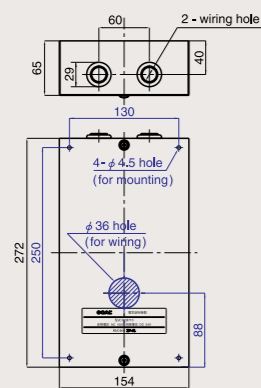
● Controller RCB-501~505
(for 1~5 circuit)



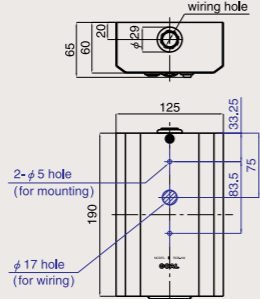
● Controller RCB-506~510
(for 6~10 circuit)



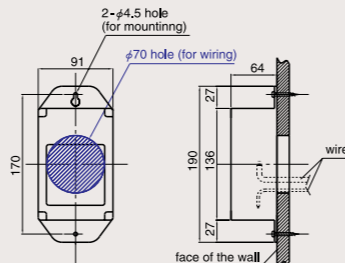
● Controller RCB-730, 710L



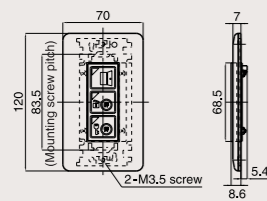
● Controller RCB-200



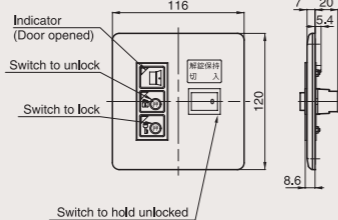
● Controller RCB-800



● Operation panel RSP-410U



● Operation panel RSP-410UH
(Switch to hold unlocked position)
electric lock, is furnished.



**HLV, HSV
LGKS, LDKS**

Lock built-in switch to confirm locked or unlocked HLV, HSV. Lock built-in switch to control security system LGKS, LDKS.

Text P.67

Information

Pin cylinder,
Keying system,
Function No.
To order, etc.

Locks

Push-pull
handle lock
Handle designs
PXK, PX, PZK, PZ,
PLK, PL, PVKU,
PY, PYS

Lever handle lock

Handle designs
AHL, AHL-P,
LGL, LG, LX,
LH, HL, LY, LW

Mortise lock

Knob designs
AH, AHP,
AS, HS

Integral lock

UC, G

Cylindrical lock

UH, US

Dead lock

LDK, LD, HD,
1502/1503, AHD,
AD, GK, GG,
HN, ANT

Rim dead lock

MH, MD, MDU

Cremon bolt

CMM

Glass door lock

2510, HDT,
CG, AG, BGU

Sliding door lock

SX, PSS, SAK,
SN, TSD,
AD(B/S600)

Cup handle lock

AHC, ASC,
HSTC, UCC, GC

Emergency lock

AHLH, AHH,
HSTH, HDH,
AHDH

Electric lock &
Security system

RF key

Remo. con. key
Ten key pad
KRS, KRC,
BTKLX, TKX

Hotel card lock

JCLM, JCL

Electric lock

PXE, PZE,
EZX, EXS, EXM,
EU, ES, EL,
EM, EV, SXE,
CMT, CMR, ME

Electric conductor,
Control box,
Key switch, etc.
RCL, RCB,
RSP, KS, ACT

Dimensions

Dimensions (unit : mm)

● Lever handle type V-HLV-5NU (shown HLV-5 with V18 cyl., NU type handle)

note : Magnet actuates the reedswitch built in the lock case.
So must be installed facing upward.

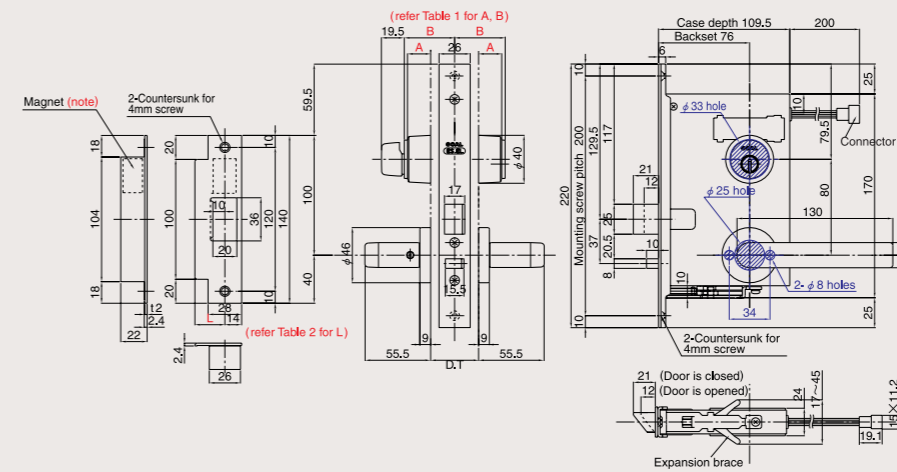
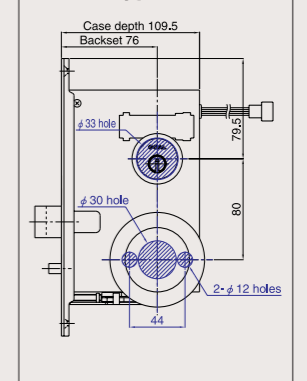


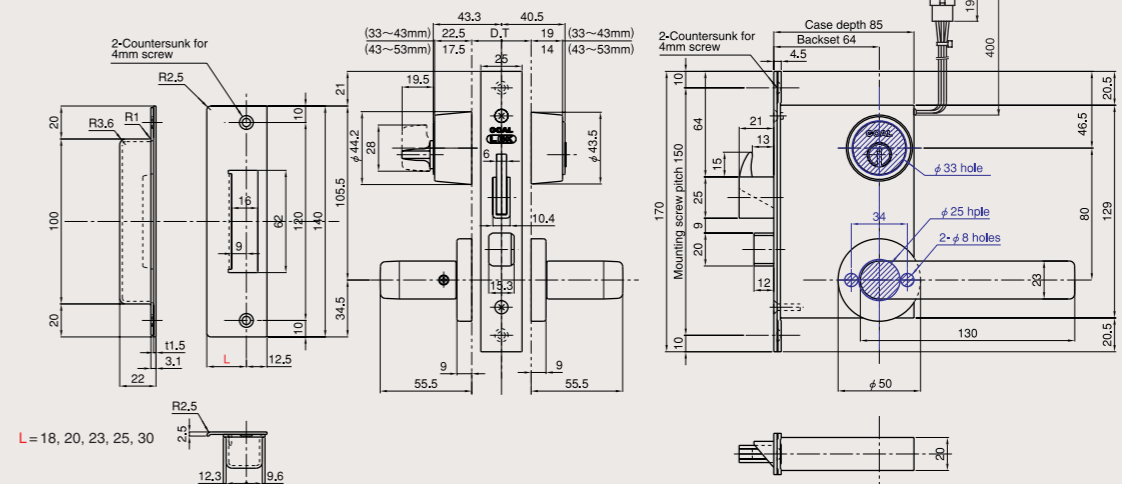
Table 1. A, B dimensions

D.T (mm)	A (mm)	B (mm)
29~43	19.5	38.5
43~53	14.5	38.5
53~63	19.5	48.5
63~73	14.5	48.5
73~83	19.5	58.5

● Knob type V-HSV-5Q



● V-LGKS-5NU



● V-LDKS-5

